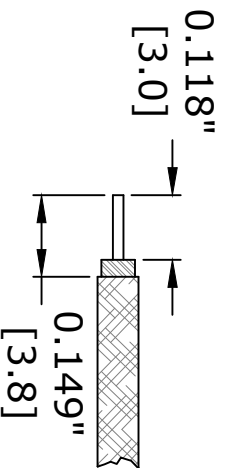
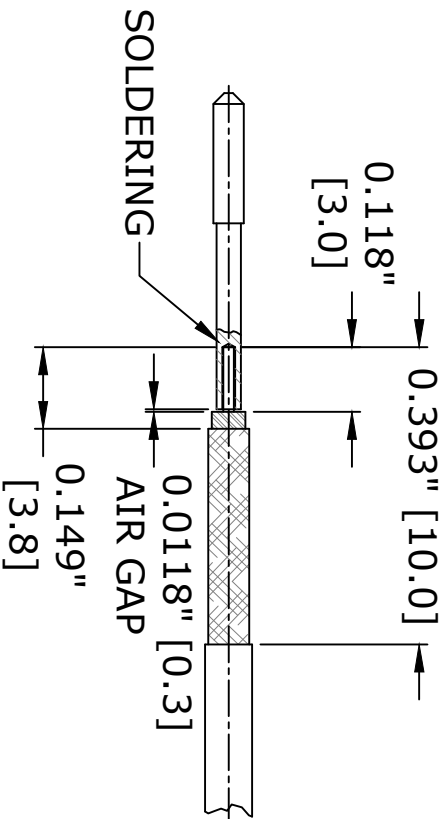


STRIPPING DIMENSION
FOR RG-405 AND .085
JACKET CABLE



STRIPPING DIMENSION
FOR .085 NON JACKET
CABLE



STRIPPING DIMENSION
WITH SOLDER FOR RG-405
AND .085 CABLE

FAIRVIEW MICROWAVE INC.
WWW.FAIRVIEWMICROWAVE.COM

NOTES:
1. UNLESS OTHERWISE SPECIFIED ALL DIMENSIONS ARE NOMINAL.
2. ALL SPECIFICATIONS ARE SUBJECT TO CHANGE WITHOUT NOTICE AT ANY TIME.
3. DIMENSIONS ARE IN INCHES [mm].

TITLE	
-------	--

DWG NO	CAGE CODE		
SMP08618	3FKR5		
CAD FILE	SHEET	SCALE	SIZE
072116		N/A	A
5568			