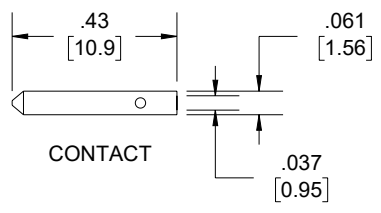
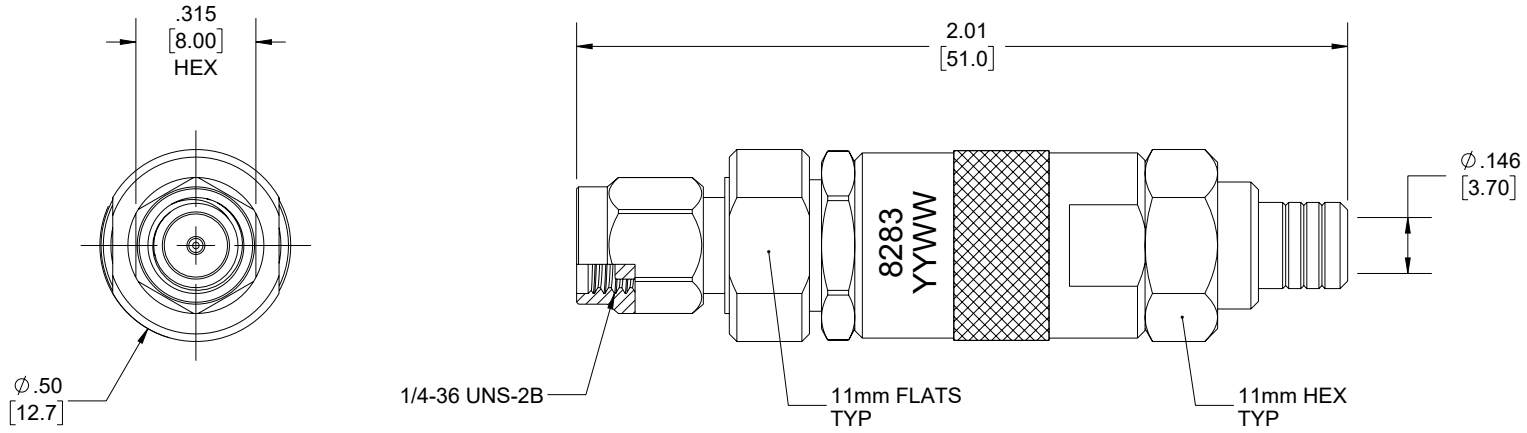


6 5 4 3 2 1

REVISION					
ZONE	REV	DESCRIPTION	DATE	CHANGED BY	APPROVED
	A	INITIAL RELEASE	3/8/2023	KDANG	SPONG



UNLESS OTHERWISE SPECIFIED
LEADING DIMENSIONS ARE INCHES
DIMENSIONS IN [] ARE MILLIMETERS

TOLERANCES:
 .X = $\pm .2$ [5] FRACTIONS $\pm 1/32$
 .XX = $\pm .02$ [.5] ANGLS $\pm 1^\circ$
 .XXX = $\pm .005$ [.13]

CABLE LENGTH TOLERANCES:
 ≤ 12 [305] = $+1$ [25] / -0
 >12 [305] ≤ 60 [1524] = $+2$ [51] / -0
 >60 [1524] ≤ 120 [3048] = $+4$ [102] / -0
 >120 [3048] ≤ 300 [7620] = $+6$ [152] / -0
 >300 [7620] = $+5\%$ / -0

ALL DIMENSIONS ARE FOR REFERENCE ONLY
AND SUBJECT TO CHANGE WITHOUT NOTICE.



Website: www.FairviewMicrowave.com
Phone: 1.800.715.4396 | 1.972.649.6678

SCALE	SHEET
NONE	1 OF 1

DESCRIPTION
18GHz Phase adjustable SMA Male for RG402 15 degrees per GHz

SIZE	CAGE CODE	DRAWN BY	ITEM NO.	REV
A	3FKR5	KDANG	SMP8283	A

THE INFORMATION CONTAINED IN THIS DRAWING IS THE SOLE PROPERTY OF INFINITE ELECTRONICS, INC. ANY REPRODUCTION IN PART OR WHOLE WITHOUT THE WRITTEN PERMISSION OF INFINITE ELECTRONICS, INC. IS PROHIBITED. THESE COMMODITIES, TECHNOLOGY OR SOFTWARE WERE EXPORTED FROM THE UNITED STATES IN ACCORDANCE WITH THE EXPORT ADMINISTRATION REGULATIONS. DIVERSION CONTRARY TO U.S. LAW PROHIBITED.

6 5 4 3 2 1