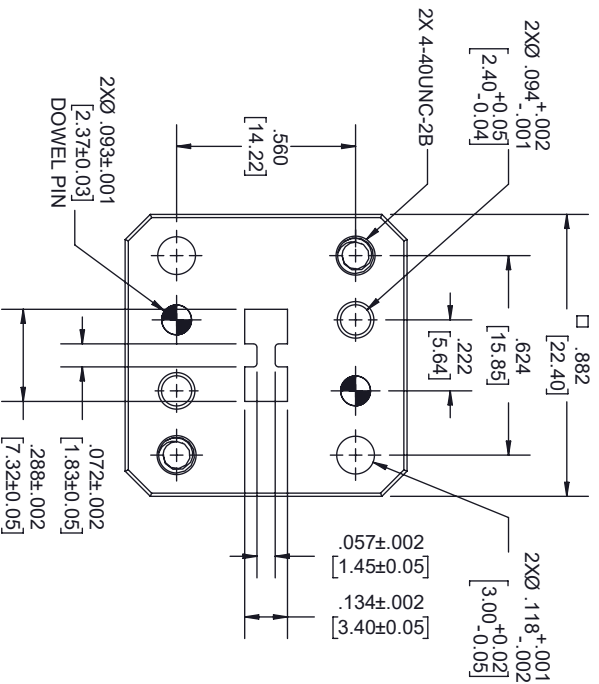
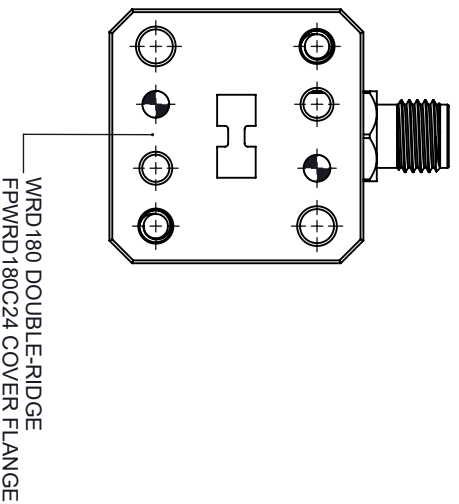


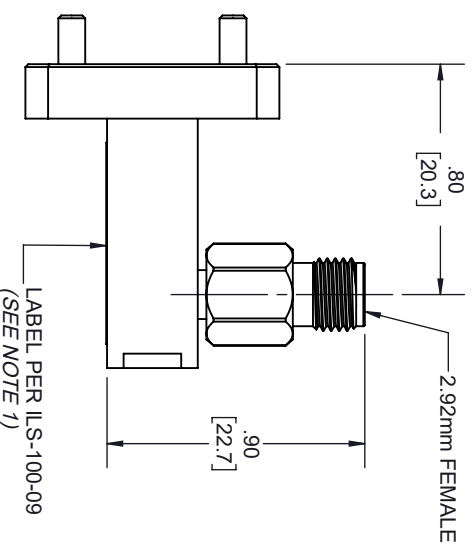
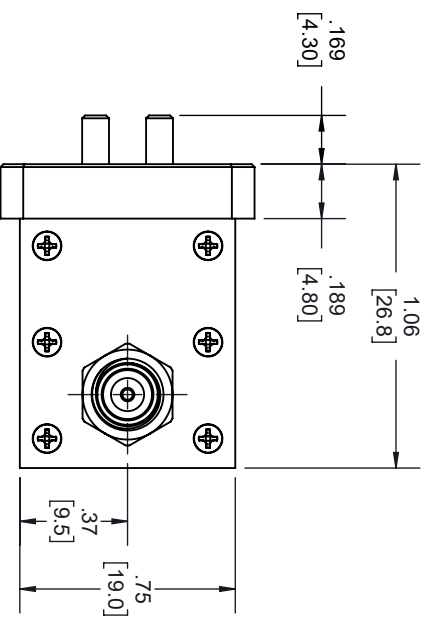
REVISIONS			
REV.	DESCRIPTION	DATE	APPROVED
A	INITIAL RELEASE	10/6/2020	S.PONG



FLANGE DETAIL



WRD180 DOUBLE-RIDGE  
FPWRD180C24 COVER FLANGE



NOTES:

- LABEL PER ILS-100-09. FOR INTERNAL REFERENCE ONLY.  
LABEL LOCATION FOR REFERENCE ONLY.

THESE COMMODITIES, TECHNOLOGY OR SOFTWARE WERE EXPORTED FROM THE UNITED STATES IN ACCORDANCE WITH THE EXPORT ADMINISTRATION REGULATIONS, DIVERSION CONTRARY TO U.S. LAW PROHIBITED.



TITLE

TOLERANCES:

X = ±.2 [5.08]  
XX = ±.02 [.51]  
XXX = ±.005 [0.13]

CABLE LENGTH (L) TOLERANCES:

L ≤ 12 [305] = ±1 [25] / -0  
12 [305] < L ≤ 60 [1524] = ±2 [51] / -0  
60 [1524] < L ≤ 120 [3048] = ±4 [102] / -0  
120 [3048] < L ≤ 300 [7620] = ±6 [152] / -0  
300 [7620] < L = +5%L / -0

THIRD-ANGLE PROJECTION

THE INFORMATION AND DESIGN IN THIS DOCUMENT IS THE PROPERTY OF FAIRVIEW MICROWAVE CORPORATION. ALL RIGHTS RESERVED.

SHEET 1 OF 1

ALL DIMENSIONS SHOWN ARE FOR REFERENCE ONLY.

SCALE

N/A

SIZE	GAGE CODE	DRAWN BY	ITEM NO.	REV
A	3FKRS	K.DANG	SMM1840DRK	A