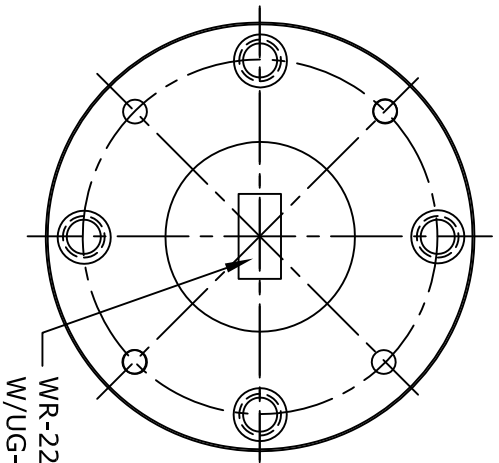
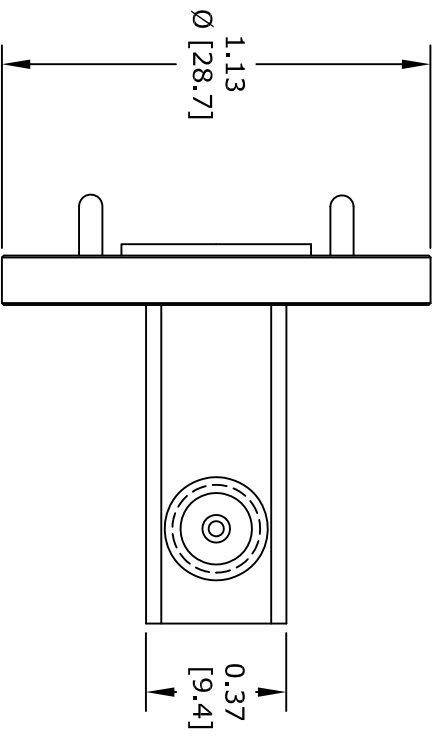
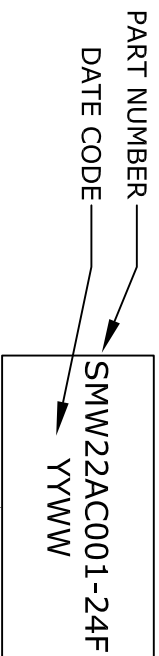
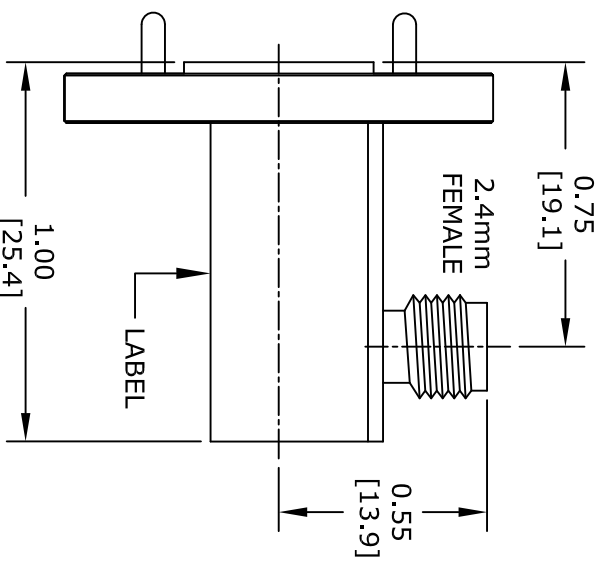


UNLESS OTHERWISE SPECIFIED DIMENSIONS ARE IN INCHES. TOLERANCES ARE:		
DECIMALS	ANGLES	FRACTIONS
.XX ± .03	± 1°	± 1/16
.XXX ± .010		
<u>HOLE DIAMETER</u>		<u>TOLERANCE</u>
.0135 TO .125		+ .004/- .001
.126 TO .250		+ .005/- .001
.251 TO .500		+ .006/- .001
.501 TO .750		+ .008/- .001
.751 TO 1.000		+ .010/- .001
1.001 TO 2.000		+ .012/- .001

\* THESE DIMENSIONS AND TOLERANCES SUPERSEDE NOTE #1 ON TITLE BLOCK.



WR-22 WAVEGUIDE  
W/UG-383/U FLANGE



LABEL

# FAIRVIEW MICROWAVE INC.

ALLEN, TX 75013 WWW.FAIRVIEWMICROWAVE.COM

NOTES:  
1. UNLESS OTHERWISE SPECIFIED ALL DIMENSIONS ARE NOMINAL.  
2. ALL SPECIFICATIONS ARE SUBJECT TO CHANGE WITHOUT NOTICE AT ANY TIME.  
3. DIMENSIONS ARE IN INCHES [mm].

TITLE		DWG NO		CAGE CODE	
		SMW22AC001-24F		3FKR5	
CAD FILE	101915	SHEET		SCALE	N/A
				SIZE	A
					150