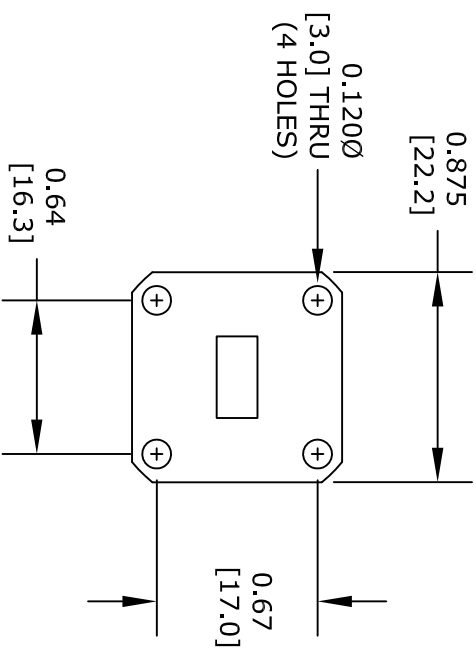
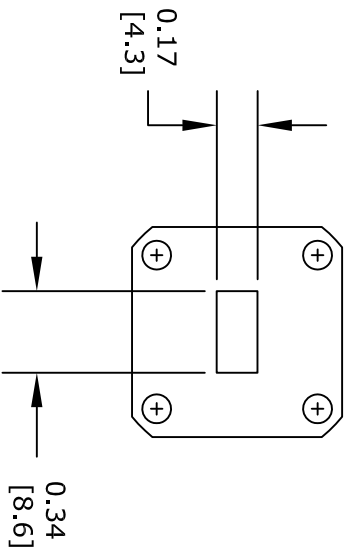


UG 1530/U WR 34  
COVER FLANGE



**FAIRVIEW MICROWAVE INC.**  
ALLEN, TX 75013 WWW.FAIRVIEWMICROWAVE.COM

NOTES:  
1. UNLESS OTHERWISE SPECIFIED ALL DIMENSIONS ARE NOMINAL.  
2. ALL SPECIFICATIONS ARE SUBJECT TO CHANGE WITHOUT NOTICE AT ANY TIME.  
3. DIMENSIONS ARE IN INCHES [mm].

TITLE

DWG NO

SMW34TF005-24

CAGE CODE

3FKR5

CAD FILE

092815

SHEET

SCALE N/A

SIZE A

2233