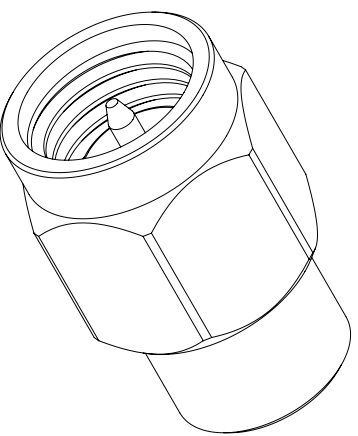
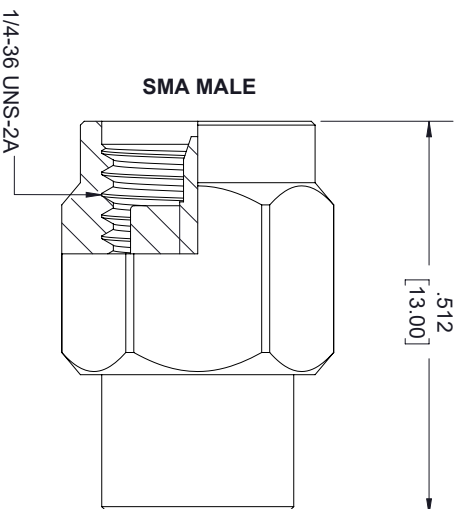
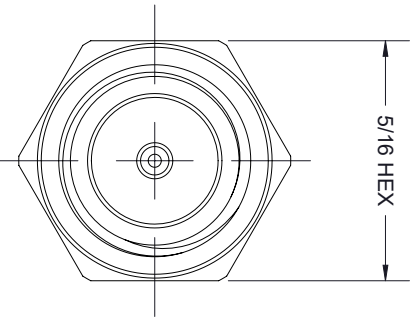


| REVISIONS | | | |
|-----------|-------------|-----------|------------|
| REV. | DESCRIPTION | DATE | APPROVED |
| A | PCR ST1820 | 8/17/2021 | A. GANWANI |



THESE COMMODITIES, TECHNOLOGY OR SOFTWARE WERE EXPORTED FROM THE UNITED STATES IN ACCORDANCE WITH THE EXPORT ADMINISTRATION REGULATIONS, DIVERSION CONTRARY TO U.S. LAW PROHIBITED.



TITLE

| | | | | | |
|--|-----------|--|----------|---|-----|
| UNLESS OTHERWISE SPECIFIED LEADING DIMENSIONS ARE INCHES DIMENSIONS IN [] ARE MILLIMETERS | | | | THIRD-ANGLE PROJECTION | |
| TOLERANCES: | | | | | |
| CABLE LENGTH (L) TOLERANCES: | | | | THE INFORMATION AND DESIGN IN THIS DOCUMENT IS THE PROPERTY OF FAIRVIEW MICROWAVE CORPORATION. ALL RIGHTS RESERVED. | |
| $X = \pm .2$ [5.08] FRACTIONS $XX = \pm .02$ [.51] ± 1/32 $XXX = \pm .005$ [.13] ANGLES ± 1° | | $L \pm 1/2$ [B06] = +1 [25] / -0 12 [305] < L ≤ 60 [1524] = +2 [51] / -0 60 [1524] < L ≤ 120 [3048] = +4 [102] / -0 120 [3048] < L ≤ 300 [7620] = +6 [152] / -0 300 [7620] < L = +5%L / -0 | | SCALE | |
| SIZE | GAGE CODE | DRAWN BY | ITEM NO. | REV | REV |
| A | 3FKR5 | K.DANG | ST1820 | N/A | A |

ALL DIMENSIONS SHOWN ARE FOR REFERENCE ONLY.