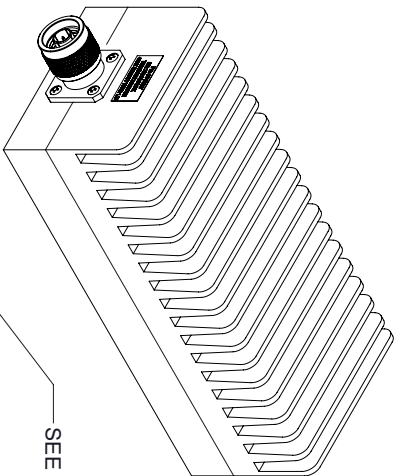
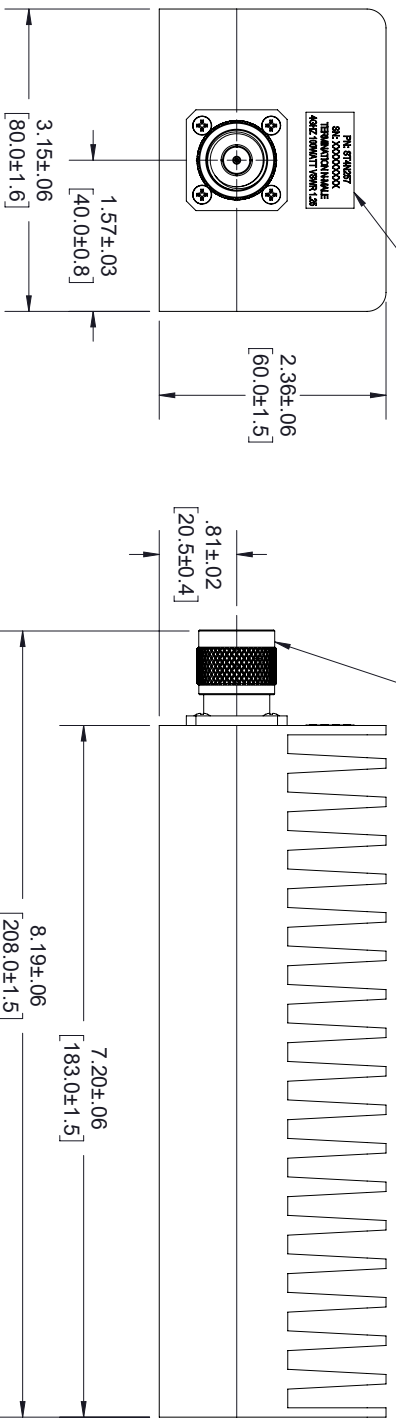


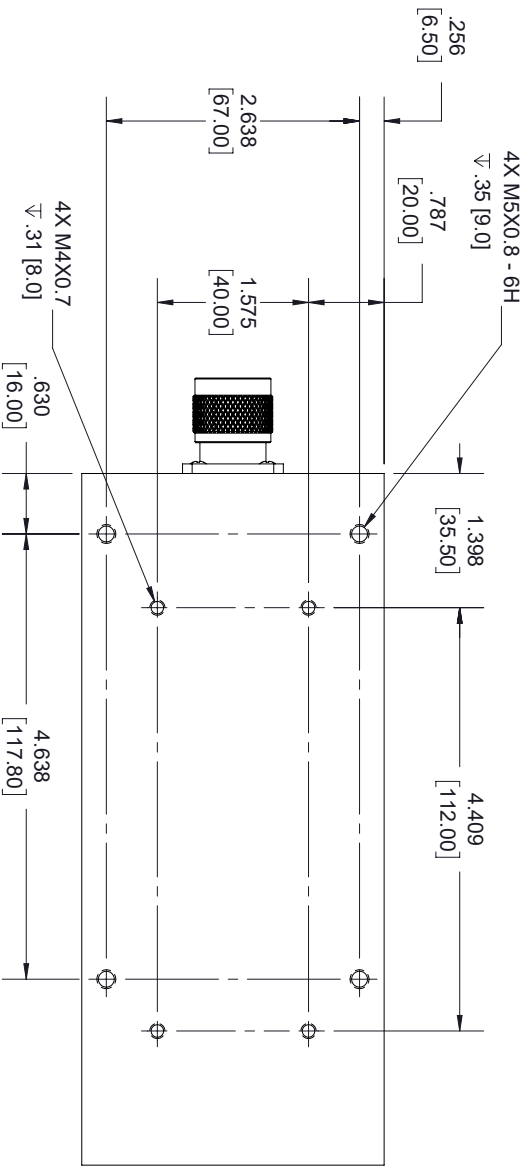
REVISIONS			
REV.	DESCRIPTION	DATE	APPROVED
B	PCR STAN257 20220715	08/01/2022	SPONG



SEE NOTE 1.



N-MALE CONNECTOR



NOTES:  
1. LABEL PER ILS-100-14. FOR INTERNAL REFERENCE ONLY.

THESE COMMODITIES, TECHNOLOGY OR SOFTWARE WERE EXPORTED FROM THE UNITED STATES IN ACCORDANCE WITH THE EXPORT ADMINISTRATION REGULATIONS, DIVERSION CONTRARY TO U.S. LAW PROHIBITED.



UNLESS OTHERWISE SPECIFIED LEADING DIMENSIONS ARE INCHES		THIRD-ANGLE PROJECTION	
DIMENSIONS IN [ ] ARE MILLIMETERS			
TOLERANCES:		THE INFORMATION AND DESIGN IN THIS DOCUMENT IS THE PROPERTY OF FAIRVIEW MICROWAVE CORPORATION. ALL RIGHTS RESERVED.	
X = ±.2	[.008]	FRACTIONS	L ≤ 12 [305] = +1 [25] / -0
XX = ±.02	[.51]	±.192	12 [305] < L ≤ 60 [1524] = +2 [51] / -0
XXX = ±.005	[.13]	ANGLES ± 1°	60 [1524] < L ≤ 120 [3048] = +4 [102] / -0
			120 [3048] < L ≤ 300 [7620] = +6 [152] / -0
			300 [7620] < L = +5% / -0
CABLE LENGTH (L) TOLERANCES:		SHEET 1 OF 1	

ALL DIMENSIONS SHOWN ARE FOR REFERENCE ONLY.				SCALE	N/A
SIZE	GAGE CODE	DRAWN BY	ITEM NO.	REV	B
A	3FKRS	AKRESOWSK	STAN257		