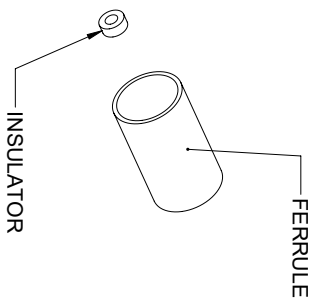
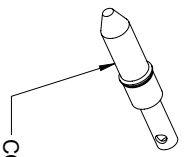
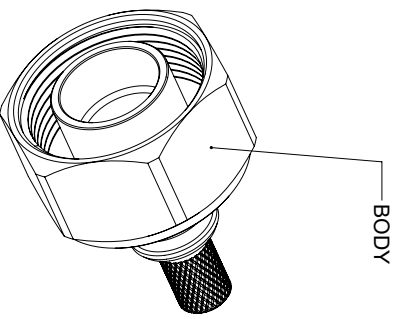
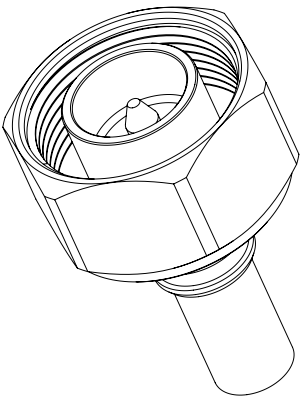


4.3-10 MALE



STANDARD TOLERANCES

| | |
|------|--------|
| .X | ±0.2 |
| .XX | ±0.01 |
| .XXX | ±0.005 |

*STANDARD TOLERANCES APPLY ONLY TO DIMENSIONS IN INCHES



NOTES:
 1. UNLESS OTHERWISE SPECIFIED ALL DIMENSIONS ARE NOMINAL.
 2. ALL SPECIFICATIONS ARE SUBJECT TO CHANGE WITHOUT NOTICE AT ANY TIME.
 3. DIMENSIONS ARE IN INCHES [mm].

| | | | | | |
|----------|----------|----------------|--------|-----------|------|
| TITLE | | DWG NO | | CAGE CODE | |
| | | TC-240-4310M-X | | 3FKR5 | |
| CAD FILE | 04/18/18 | SHEET | 1 OF 1 | SCALE | N/A |
| | | | | SIZE | A |
| | | | | | 7361 |