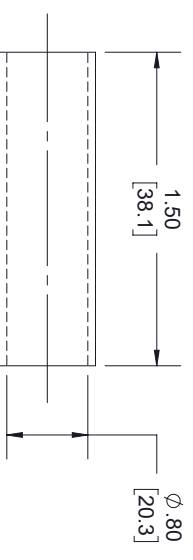
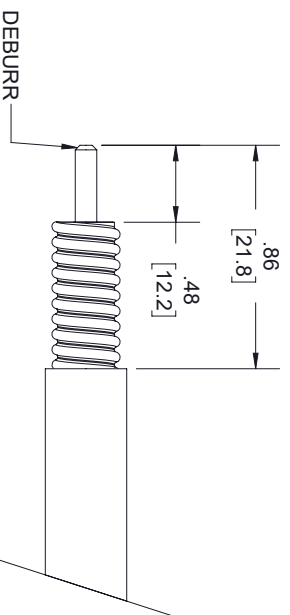


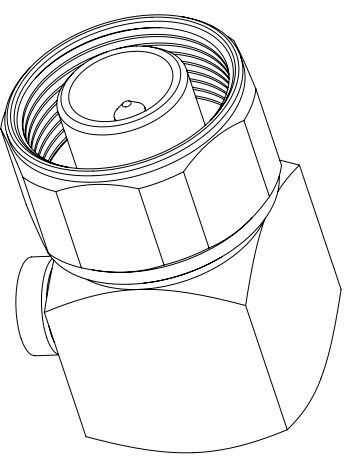
4.1/9.5 MINI DIN MALE
RA



SHRINK TUBE



STRIPPING DIMENSIONS



NOTES:

1. CABLE ATTACHMENT:
- OUTER: SOLDER.
- INNER: SOLDER.

STANDARD TOLERANCES
 .X ±0.2
 .XX ±0.01
 .XXX ±0.005

*STANDARD TOLERANCES APPLY ONLY TO DIMENSIONS IN INCHES



NOTES:
 1. UNLESS OTHERWISE SPECIFIED ALL DIMENSIONS ARE NOMINAL.
 2. ALL SPECIFICATIONS ARE SUBJECT TO CHANGE WITHOUT NOTICE AT ANY TIME.
 3. DIMENSIONS ARE IN INCHES [mm].

TITLE		DWG NO		CAGE CODE	
		TC-SPP250-4195M-RALP		3FKR5	
CAD FILE	05/20/19	SHEET	1 OF 1	SCALE	N/A
				SIZE	A
					7361