

SSMC Jack Bulkhead PCB Connector .067 inch End Launch Solder Attachment

SSMC jack bulkhead connector with solder attachment for .067 inch end launch PCB, part number 2467-000-G91P-010, from Fairview Microwave is in-stock and ships same day. This SSMC jack connector operates up to a maximum frequency of 12.4 GHz. Fairview's 2467-000-G91P-010 bulkhead SSMC connector enables designers to make external connections on product enclosures, and can be used in a variety of other rack mount and panel mount applications.

Fairview's SSMC jack bulkhead connector 2467-000-G91P-010 datasheet specifications and outline drawing are shown in this PDF below. Our extensive offering of RF, microwave and millimeter wave connectors allows designers to configure and customize their signal connections however they like. From providing an I/O for a board design to creating a custom cable assembly configuration, Fairview Microwave has a connector solution to meet your needs. Fairview Microwave also has the expertise to build your custom cable assemblies for you and ship them same-day.

Electrical Specifications

| Description | Min | Typ | Max | Units |
|------------------------|-------|-----|------|-------|
| Frequency Range | DC | | 12.4 | GHz |
| Operating Voltage (AC) | | | 250 | Vrms |
| Insulation Resistance | 1,000 | | | MOhms |

Mechanical Specifications

| | |
|---------------|---------------------|
| Size | |
| Length | 0.69 in [17.53 mm] |
| Width/Dia. | 0.188 in [4.78 mm] |
| Height | 0.207 in [5.26 mm] |
| Weight | 0.0056 lbs [2.54 g] |
| Mating Cycles | 500 Cycles |

Material Specifications

| Description | Material | Plating |
|-----------------|------------------|------------------------|
| Contact | Beryllium Copper | Gold 5µ In. minimum |
| Insulation | PTFE | |
| Outer Conductor | Stainless Steel | Gold 3µ in. minimum |
| Body | Stainless Steel | Gold 3µ in. minimum |

Environmental Specifications

Temperature

Operating Range

Shock

Vibration

-65 to +165 deg C

MIL-STD Method 213 75G

MIL-STD-22 Method 204 condition D



Configuration:

- SSMC Jack Connector
- MIL-STD-348
- 50 Ohms
- Straight Body Geometry
- .067 inch End Launch Interface Type
- Solder Attachment
- Bulkhead
- 3/16 inch Hex

Features:

- Operating Frequency of 12.4 GHz Max.
- Gold Plated Beryllium Copper Contact
- 5µ In. minimum contact plating

Applications:

- General Purpose Test
- Rack and Panel Mount Applications
- Space Saving for PCB Applications

Fairview Microwave
301 Leora Ln., Suite 100
Lewisville, TX 75056
Tel: 1-800-715-4396 / (972) 649-6678
Fax: (972) 649-6689
www.fairviewmicrowave.com
sales@fairviewmicrowave.com

Salt Spray

MIL-STD-202 Method 101 condition B

Compliance Certifications (see [product page](#) for current document)

Plotted and Other Data

Notes:

SSMC Jack Bulkhead PCB Connector .067 inch End Launch Solder Attachment from Fairview Microwave is in-stock and available to ship same-day. All of our RF/microwave products are available off-the-shelf from our ISO 9001:2008 certified facilities in Lewisville, Texas. Fairview Microwave is RF on-demand.

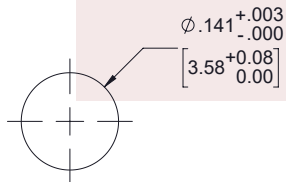
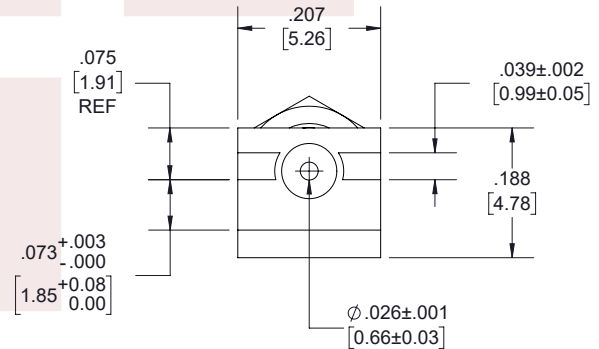
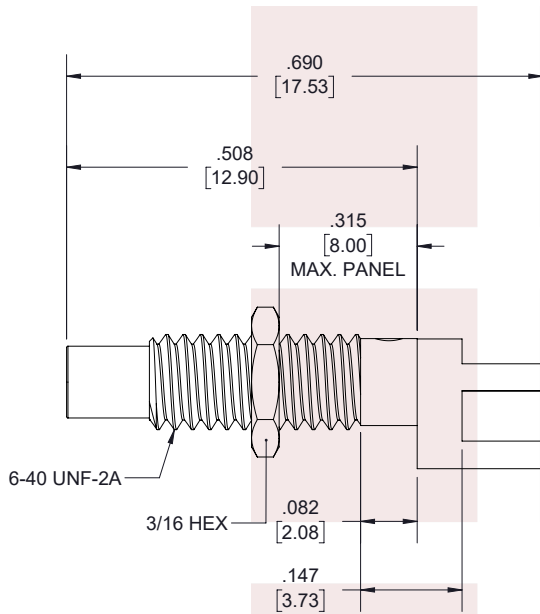
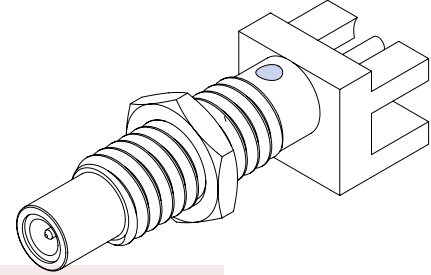
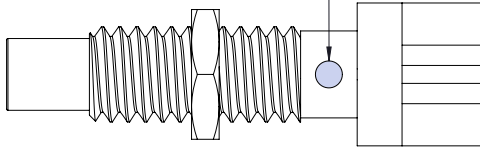
For additional information on this product, please click the following link: [SSMC Jack Bulkhead PCB Connector .067 inch End Launch Solder Attachment 2467-000-G91P-010](#)

URL: <https://www.fairviewmicrowave.com/ssmc-jack-.067-end-launch-pcb-connector-2467-000-g91p-010-p.aspx>

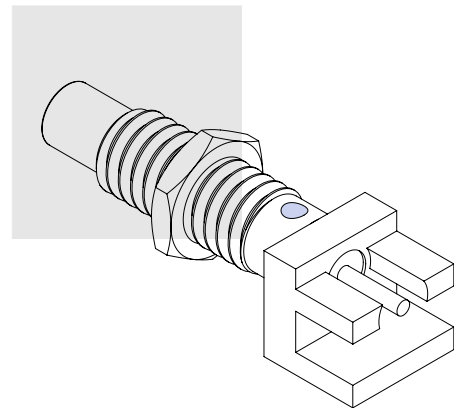
The information contained in this document is accurate to the best of our knowledge and representative of the part described herein. It may be necessary to make modifications to the part and/or the documentation of the part, in order to implement improvements. Fairview Microwave reserves the right to make such changes as required. Unless otherwise stated, all specifications are nominal. Fairview Microwave does not make any representation or warranty regarding the suitability of the part described herein for any particular purpose, and Fairview Microwave does not assume any liability arising out of the use of any part or documentation.

| REVISIONS | | | |
|-----------|-----------------------|----------|----------|
| REV. | DESCRIPTION | DATE | APPROVED |
| A | PCR 2467-000-G91P-010 | 1/8/2020 | S.ELLIS |

EPOXY CAPTIVATED,
CAPPED WITH SILVER EPOXY.



MOUNTING HOLE



THESE COMMODITIES, TECHNOLOGY OR SOFTWARE WERE EXPORTED FROM THE UNITED STATES IN ACCORDANCE WITH THE EXPORT ADMINISTRATION REGULATIONS. DIVERSION CONTRARY TO U.S. LAW PROHIBITED.

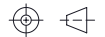
TITLE
SSMC Jack Bulkhead PCB Connector .067 inch End
Launch Solder Attachment

UNLESS OTHERWISE SPECIFIED LEADING DIMENSIONS ARE INCHES
DIMENSIONS IN [] ARE MILLIMETERS

TOLERANCES: CABLE LENGTH (L) TOLERANCES:

.X = ±.2 [5.08] FRACTIONS L ≤ 12 [305] = +1 [25] / -0
.XX = ±.02 [.51] ± 1/32 12 [305] < L ≤ 60 [1524] = +2 [51] / -0
.XXX = ±.005 [.13] ANGLES ± 1° 60 [1524] < L ≤ 120 [3048] = +4 [102] / -0
120 [3048] < L ≤ 300 [7620] = +6 [152] / -0
300 [7620] < L = +5%L / -0

THIRD-ANGLE PROJECTION



THE INFORMATION AND DESIGN IN THIS DOCUMENT IS THE PROPERTY OF FAIRVIEW MICROWAVE CORPORATION. ALL RIGHTS RESERVED.

SHEET 1 OF 1

ALL DIMENSIONS SHOWN ARE FOR REFERENCE ONLY.

SCALE N/A

| | | | | |
|-----------|--------------------|--------------------|-------------------------------|----------|
| SIZE A | CAGE CODE 3FKR5 | DRAWN BY K.DANG | ITEM NO. 2467-000-G91P-010 | REV A |
|-----------|--------------------|--------------------|-------------------------------|----------|

T-Rev.D