

SSMC Jack Bulkhead PCB Connector .067 inch End Launch Solder Attachment

SSMC jack bulkhead connector with solder attachment for .067 inch end launch PCB, part number 2467-000-G91P-011, from Fairview Microwave is in-stock and ships same day. This SSMC jack connector operates up to a maximum frequency of 12.4 GHz and offers excellent VSWR of 1.2:1. Fairview's 2467-000-G91P-011 bulkhead SSMC connector enables designers to make external connections on product enclosures, and can be used in a variety of other rack mount and panel mount applications.

Fairview's SSMC jack bulkhead connector 2467-000-G91P-011 datasheet specifications and outline drawing are shown in this PDF below. Our extensive offering of RF, microwave and millimeter wave connectors allows designers to configure and customize their signal connections however they like. From providing an I/O for a board design to creating a custom cable assembly configuration, Fairview Microwave has a connector solution to meet your needs. Fairview Microwave also has the expertise to build your custom cable assemblies for you and ship them same-day.



Configuration:

- SSMC Jack Connector
- 50 Ohms
- Straight Body Geometry
- .067 inch End Launch Interface Type
- Solder Attachment
- Bulkhead
- 3/16 inch Hex

Electrical Specifications

Description	Min	Typ	Max	Units
Frequency Range	DC		12.4	GHz
VSWR			1.2:1	
Operating Voltage (AC)			250	Vrms
Insulation Resistance	1,000			MOhms

Performance by Frequency

Description	F1	F2	F3	F4	F5	Units
Freq. Range	DC to 1.5					GHz
Insertion Loss, Max	0.3					dB

Mechanical Specifications

Size	
Length	0.69 in [17.53 mm]
Width/Dia.	0.156 in [3.96 mm]
Height	0.222 in [5.64 mm]
Weight	0.0055 lbs [2.49 g]
Mating Cycles	500 Cycles
Mating Torque	2 in-lbs [0.23 Nm]

Material Specifications

Description	Material	Plating
Contact	Beryllium Copper	Gold
Insulation	PTFE	
Outer Conductor	Stainless Steel	Gold
Body	Stainless Steel	Gold

Features:

- Operating Frequency of 12.4 GHz Max.
- Excellent VSWR of 1.2:1
- Gold Plated Beryllium Copper Contact

Applications:

- General Purpose Test
- Rack and Panel Mount Applications
- Space Saving for PCB Applications

Fairview Microwave
 301 Leora Ln., Suite 100
 Lewisville, TX 75056
 Tel: 1-800-715-4396 / (972) 649-6678
 Fax: (972) 649-6689
www.fairviewmicrowave.com
sales@fairviewmicrowave.com

Environmental Specifications

Temperature

Operating Range

-65 to +165 deg C

Shock

MIL-STD Method 213 75G

Vibration

MIL-STD-22 Method 204 condition D

Salt Spray

MIL-STD-202 Method 101 condition B

Compliance Certifications (see [product page](#) for current document)

Plotted and Other Data

Notes:

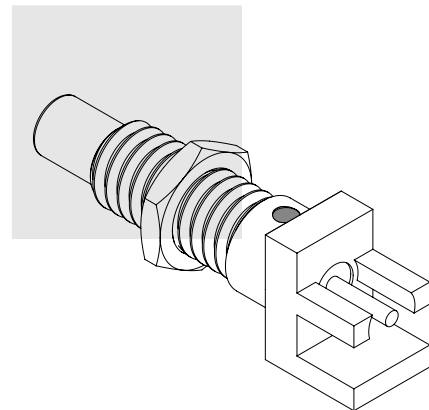
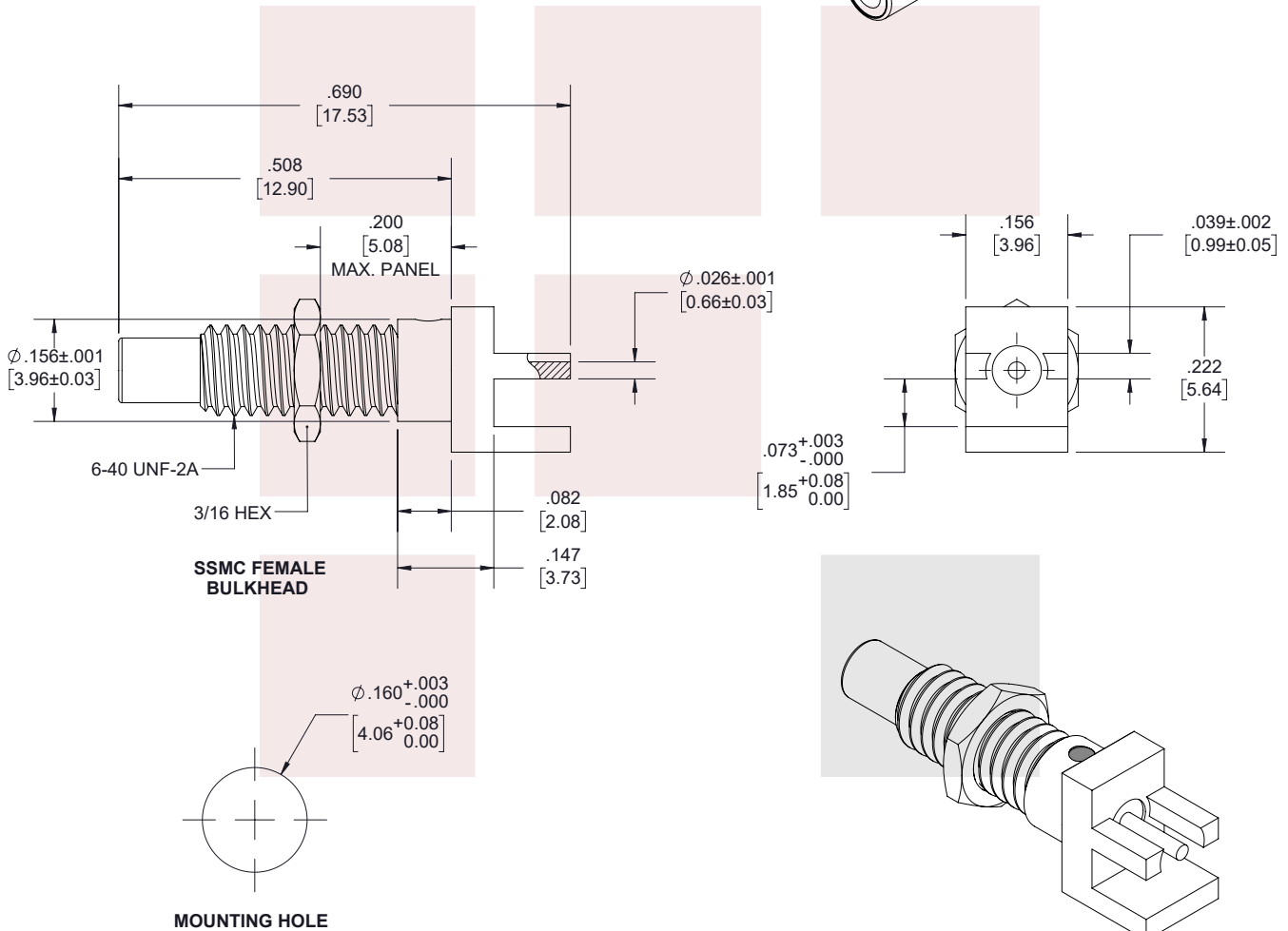
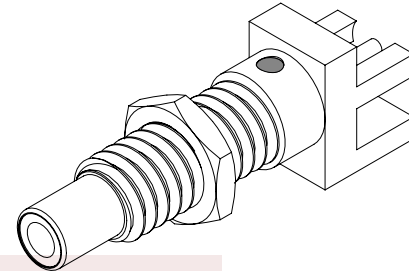
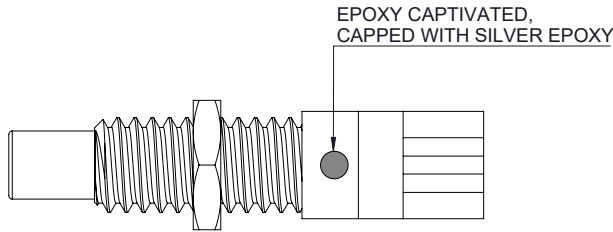
SSMC Jack Bulkhead PCB Connector .067 inch End Launch Solder Attachment from Fairview Microwave is in-stock and available to ship same-day. All of our RF/microwave products are available off-the-shelf from our ISO 9001:2008 certified facilities in Lewisville, Texas. Fairview Microwave is RF on-demand.

For additional information on this product, please click the following link: [SSMC Jack Bulkhead PCB Connector .067 inch End Launch Solder Attachment 2467-000-G91P-011](#)

URL: <https://www.fairviewmicrowave.com/ssmc-jack-.067-end-launch-pcb-connector-2467-000-g91p-011-p.aspx>

The information contained in this document is accurate to the best of our knowledge and representative of the part described herein. It may be necessary to make modifications to the part and/or the documentation of the part, in order to implement improvements. Fairview Microwave reserves the right to make such changes as required. Unless otherwise stated, all specifications are nominal. Fairview Microwave does not make any representation or warranty regarding the suitability of the part described herein for any particular purpose, and Fairview Microwave does not assume any liability arising out of the use of any part or documentation.

REVISIONS			
REV.	DESCRIPTION	DATE	APPROVED
A	PCR 2467-000-G91P-011	1/7/2020	S.ELLIS



THESE COMMODITIES, TECHNOLOGY OR SOFTWARE WERE EXPORTED FROM THE UNITED STATES IN ACCORDANCE WITH THE EXPORT ADMINISTRATION REGULATIONS. DIVERSION CONTRARY TO U.S. LAW PROHIBITED.

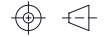
TITLE
SSMC Jack Bulkhead PCB Connector .067 inch End
Launch Solder Attachment

UNLESS OTHERWISE SPECIFIED LEADING DIMENSIONS ARE INCHES
DIMENSIONS IN [] ARE MILLIMETERS

TOLERANCES: CABLE LENGTH (L) TOLERANCES:

.X = ± .2 [5.08]	FRACTIONS ± 1/32	L ≤ 12 [305] = +1 [25] / -0
.XX = ± .02 [.51]	ANGLES ± 1°	12 [305] < L ≤ 60 [1524] = +2 [51] / -0
.XXX = ± .005 [.13]		60 [1524] < L ≤ 120 [3048] = +4 [102] / -0
		120 [3048] < L ≤ 300 [7620] = +6 [152] / -0
		300 [7620] < L = +5%L / -0

THIRD-ANGLE PROJECTION



THE INFORMATION AND DESIGN IN THIS DOCUMENT IS THE PROPERTY OF FAIRVIEW MICROWAVE CORPORATION. ALL RIGHTS RESERVED.

SHEET 1 OF 1

ALL DIMENSIONS SHOWN ARE FOR REFERENCE ONLY.

SCALE N/A

SIZE A	CAGE CODE 3FKR5	DRAWN BY K.DANG	ITEM NO. 2467-000-G91P-011	REV A
-----------	--------------------	--------------------	-------------------------------	----------

T-Rev.D