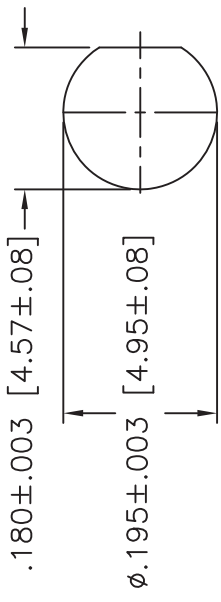
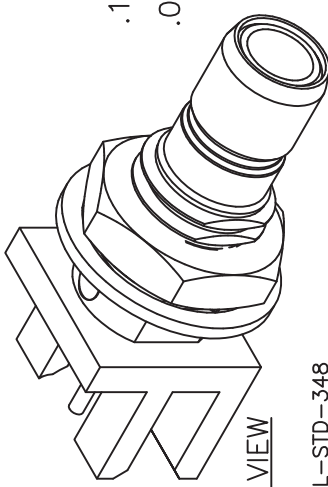
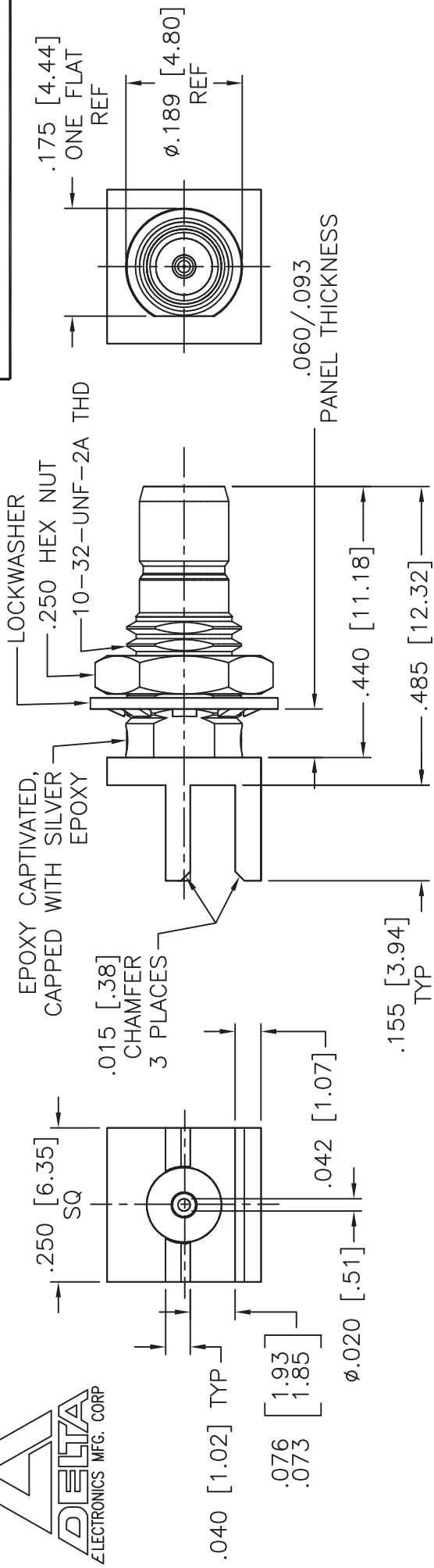


DIMENSIONS IN BRACKETS ARE IN MILLIMETERS AND ARE FOR REFERENCE ONLY.

2467-000-G91P-23



RECOMMENDED PCB LAYOUT

NOTES:

- ASSEMBLED CONNECTOR INTERFACE IS DESIGNED IN ACCORDANCE WITH MIL-STD-348
- MATERIAL: BODY & LOCKWASHER - CORROSION RESISTANT STEEL PER ASTM 582, S30300, COND. A. CONTACT - BERYLLIUM COPPER PER ASTM B196, C17300 ALLOY, TEMPER TD04. HEX NUT - BRASS PER ASTM B16, C36000 ALLOY, TEMPER H02. INSULATOR - TEFLON PER ASTM D1710, TYPE 1, GRADE A.
- FINISHES: BODY & WASHER - DEP WOODS NICKEL STRIKE .000010 MAX. THICK THEN SULFAMATE NICKEL PLATE .00015 MIN. THICK PER MIL-G-27418 THEN GOLD PLATE .00001 MIN. THICK PER ASTM B488, CLASS .25. CONTACT & NUT - COPPER FLASH .00003 MIN. THICK PER MIL-C-14550, THEN NICKEL PLATE .00005 MIN. THICK PER QQ-N-290, CLASS 1, GRADE G, THEN GOLD PLATE .00003 MIN. THICK PER ASTM B488, CLASS .75.

4. Electrical:

Impedance: 50 OHMS  
 Frequency Range: DC - 4 GHz  
 Voltage Rating: 250 VRMS, sea level; 60 VRMS max, 70,000 ft.  
 Insulation Resistance: 1000 megohms min.  
 Mechanical:  
 Contact Retention: 2 lbs min. axial force, 4 in-oz radial.  
 Durability: 500 mating cycles

UNLESS OTHERWISE SPECIFIED: TOLERANCES: 3 PLACES = ±.005, 2 PLACES = ±.02, ANGLES = ±1/2°, SURFACE FINISH = 63

A	REVISED	4/10/09
-	OUTLINE	4/9/09
ALT.	REVISIONS	DATE

DELTA ELECTRONICS MFG. CORP. Beverly, MA 01915

TITLE: 'SMB' EDGE MOUNT BULKHEAD JACK RECEPTACLE - POST CONTACT

Drawn by BJM	Scale 4/1	Engr. Appd MR	FILE NAME: 2467000G91P-023T
-----------------	--------------	------------------	--------------------------------

CODE IDENT. -00795 2467-000-G91P-23

THESE DRAWINGS AND SPECIFICATIONS ARE THE PROPERTY OF DELTA ELECTRONICS MFG CORP. AND SHALL NOT BE REPRODUCED, OR COPIED OR USED AS THE BASIS FOR THE MANUFACTURE OR SALE OF APPARATUS OR DEVICES WITHOUT THEIR EXPRESS WRITTEN CONSENT.