

QD SMA Male to SMA Female Adapter

QD SMA male to SMA female adapter part number 33SMA-Q50-0-4 from Fairview Microwave is in-stock and ships same day. This Fairview SMA to SMA adapter has a male to female gender configuration and is built of durable stainless steel. 33SMA-Q50-0-4 SMA male to SMA female adapter operates to 18 GHz. The Fairview Microwave RF adapter provides good VSWR of 1.35:1 maximum. The SMA connector mates mechanically with commercially available 3.5mm and 2.92mm (K) connectors.

RF adapters can be used to enable connections between two connector types that would otherwise not mate. Certain RF adapter configurations can also be used to protect connectors on expensive equipment where the number of connect and disconnect cycles is high. An RF, microwave, or millimeter wave adapter is connected to the equipment and the commonly changed connection is made with the adapter which can be easily replaced when it wears out after high usage; such adapters are referred to as connector savers. Fairview Microwave also offers bulkhead, panel mount, hermetically sealed, reverse polarity, and isolated ground adapter varieties to serve all of your RF, microwave and millimeter wave needs.

Electrical Specifications

Description	Min	Typ	Max	Units
Frequency Range	DC		18	GHz
VSWR			1.35:1	

Electrical Specification Notes:
 Values at 25°C, sea level.

Mechanical Specifications

Size	
Length	0.728 in [18.49 mm]
Width	0.394 in [10.01 mm]
Weight	0.0097 lbs [4.4 g]

Description	Connector 1	Connector 2
Type	SMA Male	SMA Female
Connection Method	QD	
Polarity	Standard	Standard
Interface Specification	MIL-STD-348	MIL-STD-348
Mating Cycles	1,000	500

Material Specifications

Description	Connector 1	Connector 2
Type	SMA Male	SMA Female
Contact Material	Beryllium Copper	Beryllium Copper
Contact Plating	Gold	Tri-Metal
Insulation Material	PTFE	PTFE
Outer Contact Material	Beryllium Copper	Beryllium Copper
Outer Contact Plating	Tri-Metal	Tri-Metal
Body Material	Stainless Steel	Stainless Steel



Configuration:

- QD SMA Male Connector 1
- SMA Female Connector 2
- 50 Ohm
- Straight Body Geometry

Features:

- VSWR of 1.35:1 max up to 18 GHz
- SMA interface meets MIL-STD-348

Applications:

- General Purpose Test

Fairview Microwave
 1130 Junction Dr. #100
 Allen, TX 75013
 Tel: 1-800-715-4396 / (972) 649-6678
 Fax: (972) 649-6689
www.fairviewmicrowave.com
sales@fairviewmicrowave.com

Environmental Specifications

Temperature

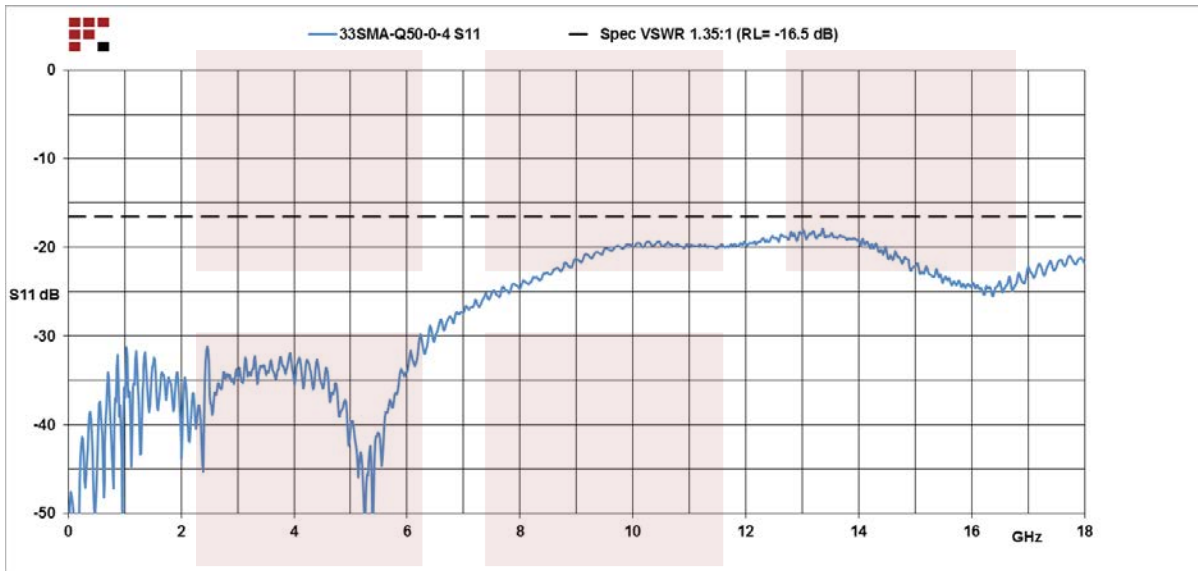
Operating Range -65 to +165 deg C

Compliance Certifications (see [product page](#) for current document)

Plotted and Other Data

Notes:

Typical Performance Data

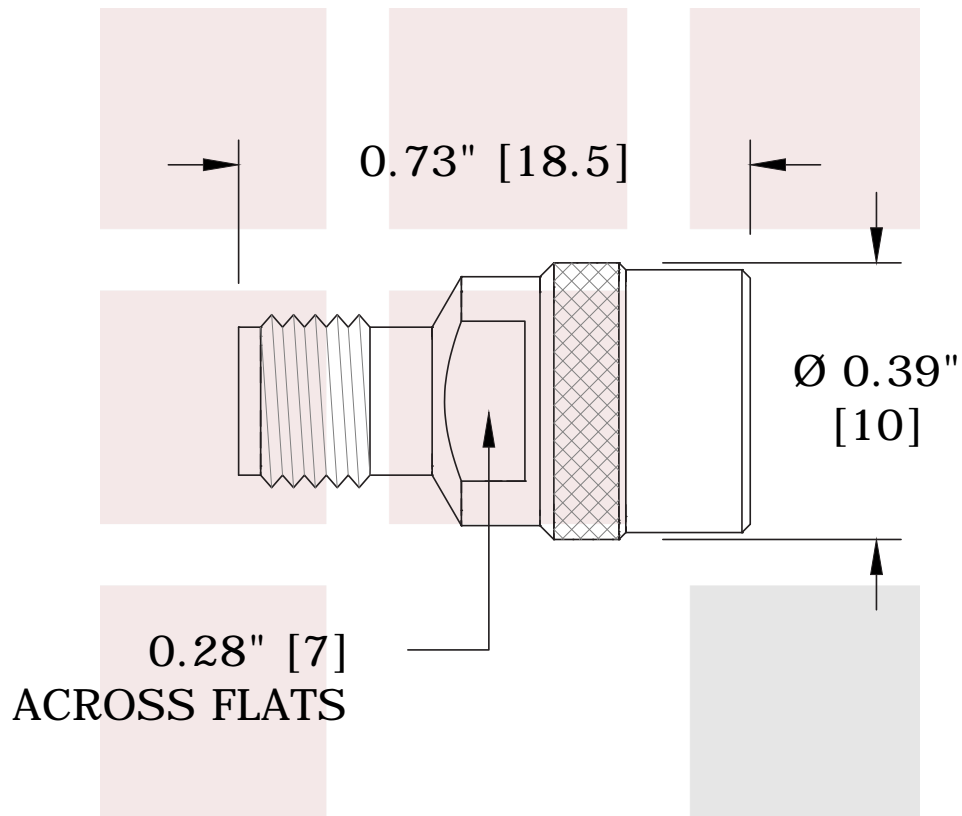


QD SMA Male to SMA Female Adapter from Fairview Microwave is in-stock and available to ship same-day. All of our RF/microwave products are available off-the-shelf from our ISO 9001:2008 certified facilities in Allen, Texas. Fairview Microwave is RF on-demand.

For additional information on this product, please click the following link: [QD SMA Male to SMA Female Adapter 33SMA-Q50-0-4](#)

URL: <https://www.fairviewmicrowave.com/sma-male-sma-female-adapter-33sma-q50-0-4-p.aspx>

The information contained in this document is accurate to the best of our knowledge and representative of the part described herein. It may be necessary to make modifications to the part and/or the documentation of the part, in order to implement improvements. Fairview Microwave reserves the right to make such changes as required. Unless otherwise stated, all specifications are nominal. Fairview Microwave does not make any representation or warranty regarding the suitability of the part described herein for any particular purpose, and Fairview Microwave does not assume any liability arising out of the use of any part or documentation.



FAIRVIEW MICROWAVE INC. ALLEN, TX 75013 WWW.FAIRVIEWMICROWAVE.COM		NOTES: 1. UNLESS OTHERWISE SPECIFIED ALL DIMENSIONS ARE NOMINAL. 2. ALL SPECIFICATIONS ARE SUBJECT TO CHANGE WITHOUT NOTICE AT ANY TIME. 3. DIMENSIONS ARE IN INCHES [mm].		
TITLE QD SMA Male to SMA Female Adapter		DWG NO 33SMA-Q50-0-4	CAGE CODE 3FKR5	
CAD FILE	011415	SHEET	SCALE N/A	SIZE A 5568