

N Female to TNC Male QD Adapter

Type N female to TNC male QD adapter part number 33TNC-N-Q50-4/133 from Fairview Microwave is in-stock and ships same day. This Fairview type N to TNC adapter has a female to male gender configuration. 33TNC-N-Q50-4/133 type N female to TNC male adapter operates to 11 GHz. The Fairview Microwave RF adapter provides good VSWR of 1.3:1 maximum.

RF adapters can be used to enable connections between two connector types that would otherwise not mate. Certain RF adapter configurations can also be used to protect connectors on expensive equipment where the number of connect and disconnect cycles is high. An RF, microwave, or millimeter wave adapter is connected to the equipment and the commonly changed connection is made with the adapter which can be easily replaced when it wears out after high usage; such adapters are referred to as connector savers. Fairview Microwave also offers bulkhead, panel mount, hermetically sealed, reverse polarity, and isolated ground adapter varieties to serve all of your RF, microwave and millimeter wave needs.

Electrical Specifications

Description	Min	Typ	Max	Units
Frequency Range	DC		11	GHz
VSWR			1.3:1	

Specifications by Frequency

Description	F1	F2	F3	F4	F5	Units
Frequency Range	DC to 4	4 to 8	8 to 11			GHz
VSWR, Max	1.07:1	1.13:1	1.3:1			

Mechanical Specifications

Size	
Length	1.3 in [33.5 mm]
Width	0.787 in [19.99 mm]
Weight	0.0915 lbs [41.5 g]

Description	Connector 1	Connector 2
Type	N Female	TNC Male
Connection Method		QD
Polarity	Standard	Standard
Mating Cycles	500	500



Configuration:

- N Female Connector 1
- QD TNC Male Connector 2
- 50 Ohm
- Straight Body Geometry

Features:

- VSWR of 1.3:1 max up to 11 GHz
- Tri-Metal Plated Beryllium Copper Contact

Applications:

- Enables Between Series Connections
- General Purpose Test

Fairview Microwave
 301 Leora Ln., Suite 100
 Lewisville, TX 75056
 Tel: 1-800-715-4396 / (972) 649-6678
 Fax: (972) 649-6689
www.fairviewmicrowave.com
sales@fairviewmicrowave.com

Material Specifications

Description	Connector 1	Connector 2
Type	N Female	TNC Male
Contact Material	Beryllium Copper	Beryllium Copper
Contact Plating	Tri-Metal	Tri-Metal
Insulation Material	PFA/PTFE	PFA/PTFE
Outer Contact Material	Brass	Brass
Outer Contact Plating	Tri-Metal	Tri-Metal
Body Material	Brass	Brass
Body Plating	Tri-Metal	Tri-Metal

Environmental Specifications

Temperature

Operating Range

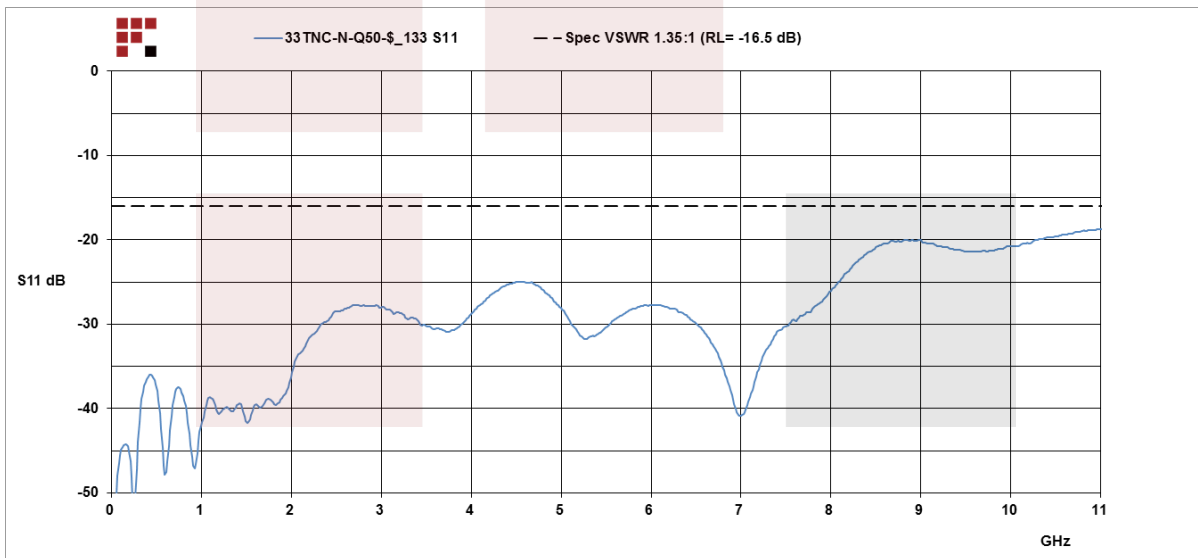
-65 to +165 deg C

Compliance Certifications (see [product page](#) for current document)

Plotted and Other Data

Notes:

Typical Performance Data



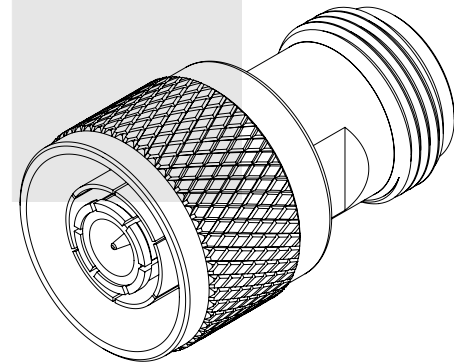
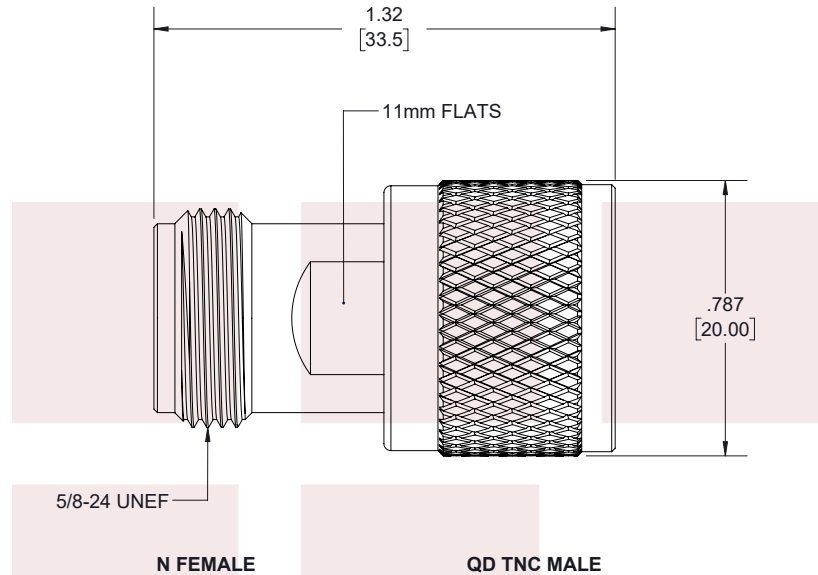
N Female to TNC Male QD Adapter from Fairview Microwave is in-stock and available to ship same-day. All of our RF/microwave products are available off-the-shelf from our ISO 9001:2008 certified facilities in Allen, Texas. Fairview Microwave is RF on-demand.

For additional information on this product, please click the following link: [N Female to TNC Male QD Adapter 33TNC-N-Q50-4/133](#)

URL: <https://www.fairviewmicrowave.com/n-female-tnc-male-qd-adapter-33tnc-n-q50-4-133-p.aspx>

The information contained in this document is accurate to the best of our knowledge and representative of the part described herein. It may be necessary to make modifications to the part and/or the documentation of the part, in order to implement improvements. Fairview Microwave reserves the right to make such changes as required. Unless otherwise stated, all specifications are nominal. Fairview Microwave does not make any representation or warranty regarding the suitability of the part described herein for any particular purpose, and Fairview Microwave does not assume any liability arising out of the use of any part or documentation.





STANDARD TOLERANCES

.X ±0.2
.XX ±0.01
.XXX ±0.005

*STANDARD TOLERANCES APPLY ONLY TO DIMENSIONS IN INCHES

NOTES:
1. UNLESS OTHERWISE SPECIFIED ALL DIMENSIONS ARE NOMINAL.
2. ALL SPECIFICATIONS ARE SUBJECT TO CHANGE WITHOUT NOTICE AT ANY TIME.
3. DIMENSIONS ARE IN INCHES [mm].

TITLE N Female to TNC Male QD Adapter	DWG NO 33TNC-N-Q50-4/133		CAGE CODE 3FKR5			
	CAD FILE 06/17/19	SHEET 1 OF 1	SCALE N/A	SIZE A	7361	