

**WR-75 to SMA Female Waveguide to Coax Adapter
 Square Cover Flange With 10 GHz to 15 GHz Fre-
 quency Range For X-Ku Band**

The 75AC206 is a waveguide to coaxial adapter with a frequency range of 10 to 15 GHz, operating in the X-Ku band. This adapter offers a precision tolerance square cover flange and a WR-75 waveguide interface size. 75AC206 is constructed of aluminum to ensure durability and repeatable RF performance. The SMA female connector mates with commercially available 2.92mm and 3.5mm connectors.

Configuration

| | |
|----------------|--------------|
| Waveguide Size | WR-75 |
| Flange | Square Cover |
| RF Connector | SMA Female |
| Impedance | 50 Ohms |
| Body Geometry | Right Angle |

Electrical Specifications

| Description | Min | Typ | Max | Units |
|-----------------|-----|-----|--------|-------|
| Frequency Range | 10 | | 15 | GHz |
| VSWR | | | 1.25:1 | |
| Insertion Loss | | 0.5 | | dB |

Mechanical Specifications

| | |
|------------------------------|----------------------------|
| Size | |
| Length | 0.9 in [22.86 mm] |
| Width | 1.5 in [38.1 mm] |
| Height | 1.5 in [38.1 mm] |
| Weight | 0.06923 lbs [31.4 g] |
| RF Connector | |
| Connector Type | SMA Female |
| Contact Material and Plating | Beryllium Copper, Gold |
| Body Material and Plating | Passivated Stainless Steel |
| Waveguide Interface | |
| Waveguide Type | WR-75 |
| Flange Type | Square Cover |
| Body Material and Plating | Aluminum |

Environmental Specifications

| | |
|--------------------|-------------------|
| Temperature | |
| Operating Range | -55 to +120 deg C |

Compliance Certifications (see [product page](#) for current document)

Plotted and Other Data

- Notes:
- Values at +25 °C, sea level unless stated otherwise

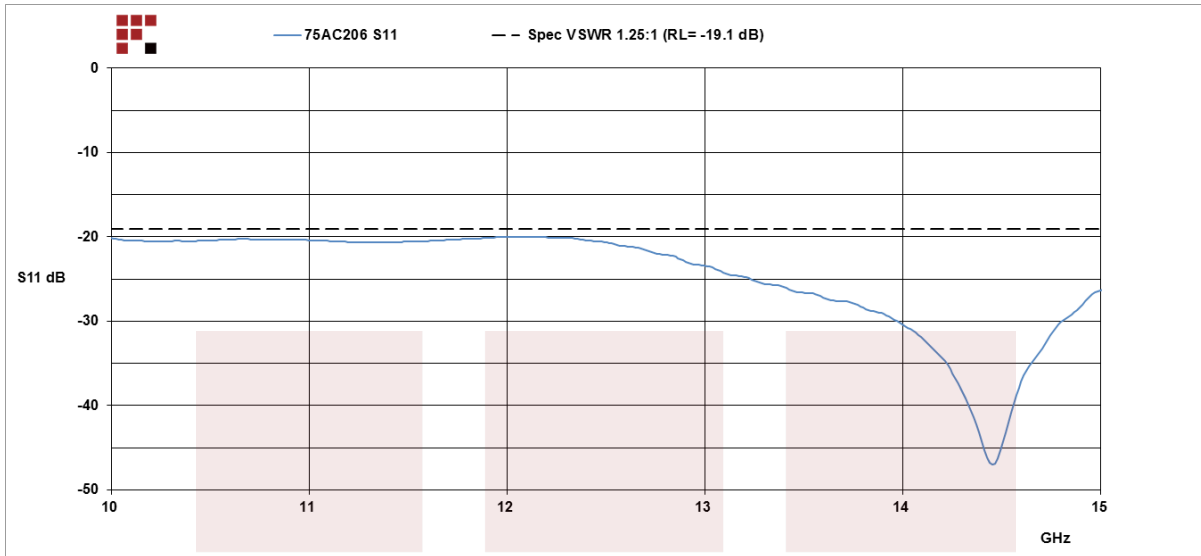


Features:

- X-Ku Band, 10 to 15 GHz Frequency Range
- WR-75 Waveguide Interface with Square Cover Flange
- SMA Female Coaxial Interface
- Comprehensive waveguide offerings also include E-Bends, H-Bends, Sections, Filters, Terminations, Couplers, and more.

Fairview Microwave
 1130 Junction Dr. #100
 Allen, TX 75013
 Tel: 1-800-715-4396 / (972) 649-6678
 Fax: (972) 649-6689
www.fairviewmicrowave.com
sales@fairviewmicrowave.com

Typical Performance Data

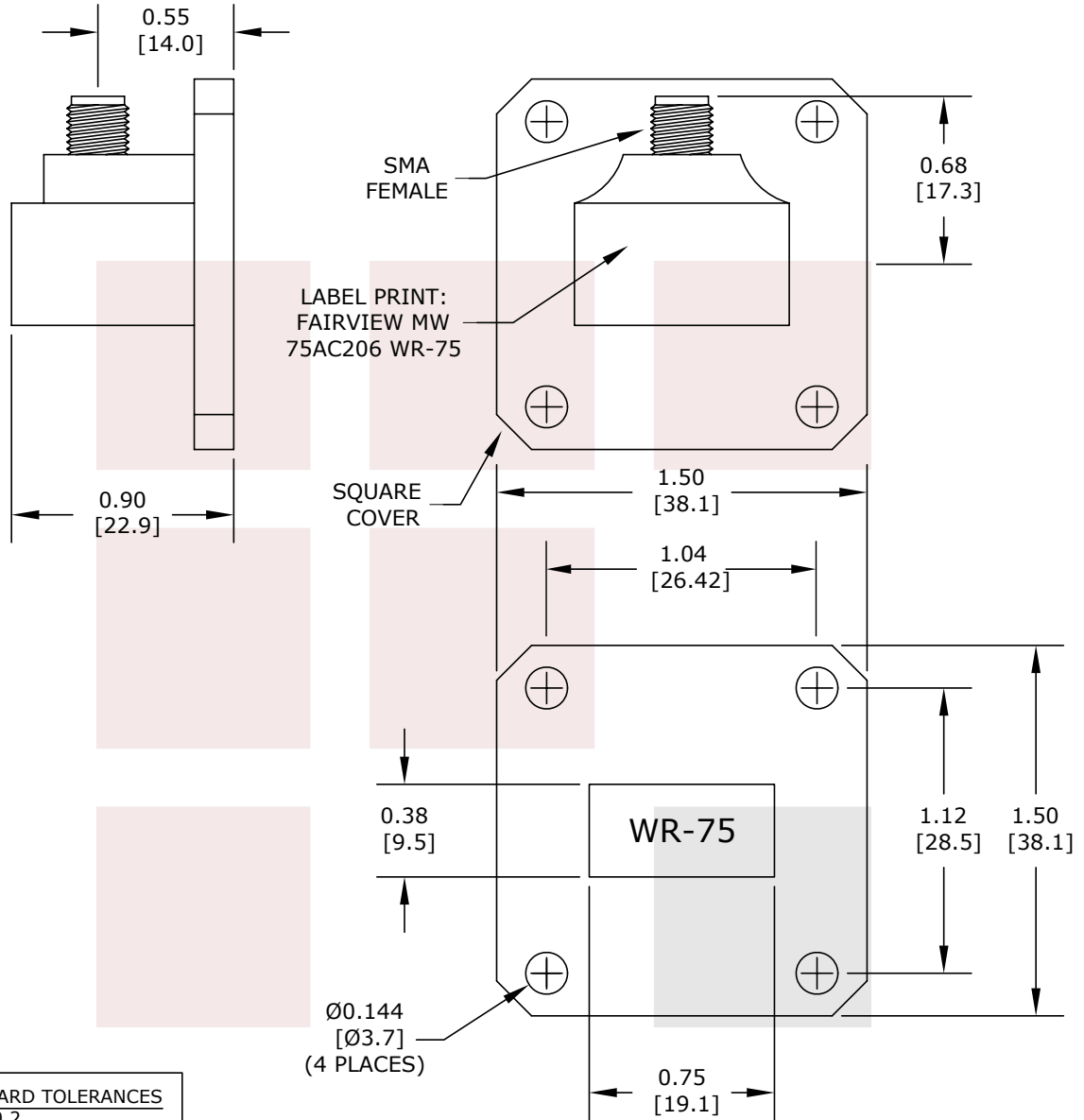


WR-75 to SMA Female Waveguide to Coax Adapter Square Cover Flange With 10 GHz to 15 GHz Frequency Range For X-Ku Band from Fairview Microwave is in-stock and available to ship same-day. All of our RF/microwave products are available off-the-shelf from our ISO 9001:2008 certified facilities in Allen, Texas. Fairview Microwave is RF on-demand.

For additional information on this product, please click the following link: [WR-75 to SMA Female Waveguide to Coax Adapter Square Cover Flange With 10 GHz to 15 GHz Frequency Range For X-Ku Band 75AC206](https://www.fairviewmicrowave.com/wr-75-sma-female-connector-waveguide-coax-adapter-10-15-ghz-75ac206-p.aspx)

URL: <https://www.fairviewmicrowave.com/wr-75-sma-female-connector-waveguide-coax-adapter-10-15-ghz-75ac206-p.aspx>

The information contained in this document is accurate to the best of our knowledge and representative of the part described herein. It may be necessary to make modifications to the part and/or the documentation of the part, in order to implement improvements. Fairview Microwave reserves the right to make such changes as required. Unless otherwise stated, all specifications are nominal. Fairview Microwave does not make any representation or warranty regarding the suitability of the part described herein for any particular purpose, and Fairview Microwave does not assume any liability arising out of the use of any part or documentation.



| STANDARD TOLERANCES | |
|---------------------|-------|
| .X | ±0.2 |
| .XX | ±0.1 |
| .XXX | ±0.05 |

*STANDARD TOLERANCES APPLY ONLY TO DIMENSIONS IN INCHES

| | | | | | |
|--|--------|---|-------|--------------------|-------------|
| FAIRVIEW MICROWAVE INC. ALLEN, TX 75013 WWW.FAIRVIEWMICROWAVE.COM | | NOTES: 1. UNLESS OTHERWISE SPECIFIED ALL DIMENSIONS ARE NOMINAL. 2. ALL SPECIFICATIONS ARE SUBJECT TO CHANGE WITHOUT NOTICE AT ANY TIME. 3. DIMENSIONS ARE IN INCHES [mm]. | | | |
| TITLE WR-75 to SMA Female Waveguide to Coax Adapter Square Cover Flange With 10 GHz to 15 GHz Frequency Range For X-Ku Band | | DWG NO 75AC206 | | CAGE CODE 3FKR5 | |
| CAD FILE | 072116 | SHEET | SCALE | N/A | SIZE A 3045 |