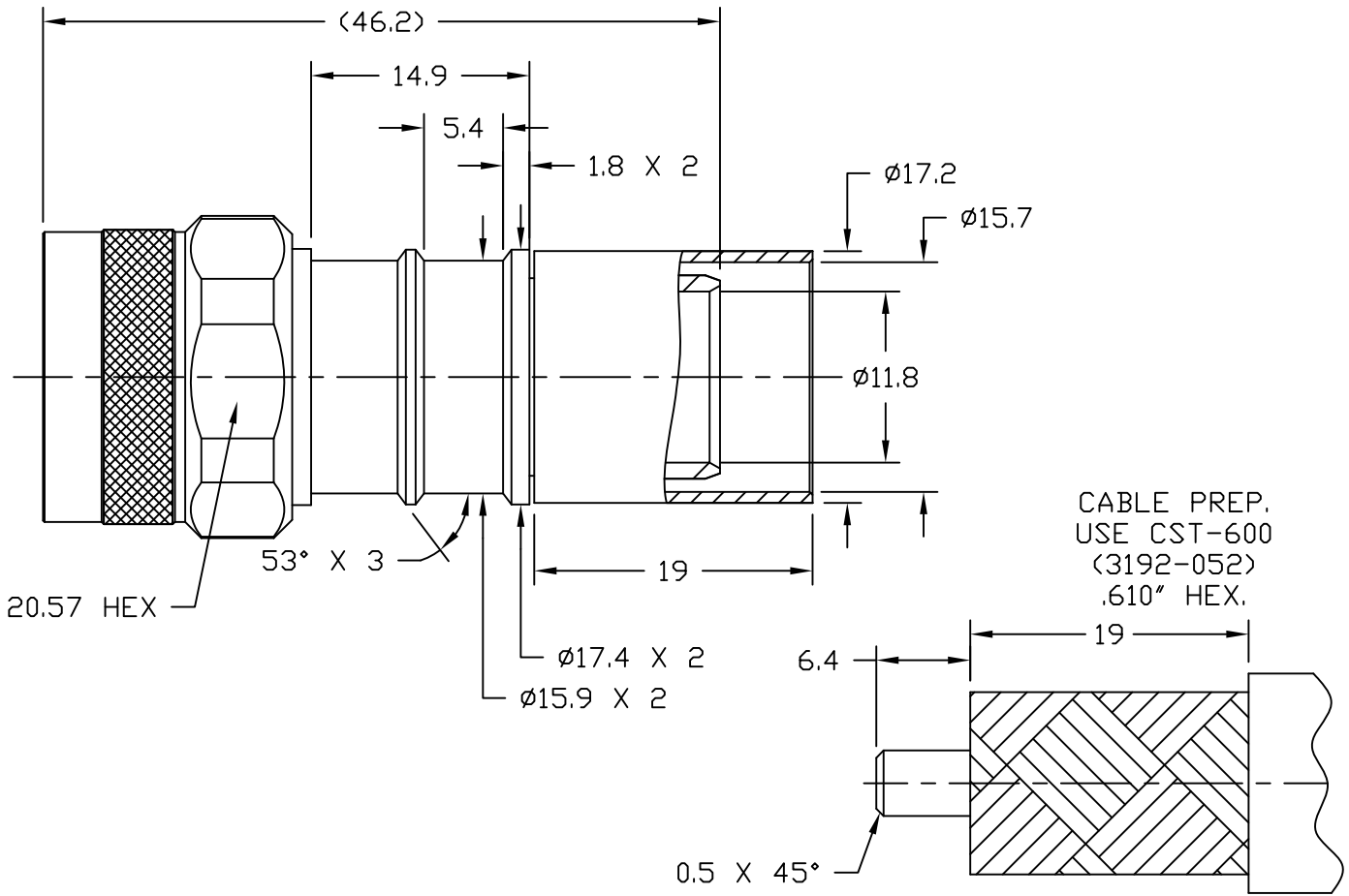


**NOTICE OF PROPRIETARY RIGHTS** THIS DOCUMENT CONTAINS CONFIDENTIAL TECHNICAL DATA, INCLUDING TRADE SECRETS, PROPRIETARY TO TIMES MICROWAVE SYSTEMS. DISCLOSURE OF THIS DATA IS EXPRESSLY CONDITIONED UPON YOUR ASSENT THAT ITS USE IS LIMITED TO USE WITHIN YOUR COMPANY ONLY. ANY OTHER USE IS STRICTLY PROHIBITED WITHOUT THE PRIOR WRITTEN CONSENT OF TIMES MICROWAVE SYSTEMS.

SYM	REVISION DESCRIPTION	DFTM	DATE	APPD	DATE
A	RELEASED FOR PRODUCTION	D. J. H.	8/9/11	J. D. B.	8/16/11



Reference standard IEC60169-16

I. Electric Performance

Impedance( $\Omega$ ): 50

Frequency Range: DC-6GHz

VSWR:  $\leq 1.25$

Insert Loss: (dB)  $\leq 0.1$ (DC-3GHz)

Insulation resistance (M $\Omega$ )  $\geq 5000$

Proof voltage (V) 2500

Conductor resistance (m $\Omega$ )  
outer conductor  $< 0.4$   
inner conductor  $< 0.8$

II. Mechanical Performance

Nut torque 5N.m

(Nut) Whorl pull 500N

Tensile force (cable-connect) 500N

Torsion (cable-connect) 5N.m

III. Material and plating:

Component	Material	Plating
inner conductor	Brass	Au50 micro inches over nickel 100 over copper
outer conductor	Brass	copper tin-zinc 100-150 micro inches
tube	Copper	copper tin-zinc 100-150 micro inches
nut	Brass	copper tin-zinc 100-150 micro inches
gasket	Silicone rubber	
insulator	PTFE	

IV. Environment

Temp. range -55°C~+155°C

Weather standard IEC 60068 55 / 155/ 56

Thermal shock US MIL-STD 202,Meth.107,Cond.B

Vibration US MIL-STD 202,Meth.204,Cond.B

Shock US MIL-STD 202,Meth.213,Cond.I

V. Assembly: inner conductor installed and outer conductor crimped.

MATL:	UNLESS OTHERWISE SPECIFIED		DFTM. D. J. H.	TIMES MICROWAVE SYSTEMS
	ALL DIMENSIONS ARE IN mm MACHINED SURFACES FINISH N/A RMS MAX. REMOVE ALL BURRS N/A MAX. BREAK MACHINE CORNERS N/A MAX. FILLET R. TOLERANCES ON DECIMALS . XX $\pm$ N/A . XXX $\pm$ N/A ANGLES $\pm$ 1° FRACTIONS $\pm$ N/A		DATE 8/9/11	
USED ON: 0	DO NOT SCALE DRAWING		CHKD. J. D. B.	<b>EZ-600-NMH-X</b> "N" MALE FOR LMR-600 CABLE EZ/CRIMP/NO BRAID TRIM
			DATE 8/16/11	
SCALE: N/A	DWG. SIZE A	CODE IDENT 68999	APPD. J. D. B.	SHT 1 of 1
			DATE 8/16/11	SD3190-2627