

## FM-F141HF Flexible Coax Cable Blue FEP Jacket

FM-F141HF, by Fairview is a flexible, coaxial cable that provides similar loss characteristics to semi-rigid cable, low VSWR of 1.3:1 and a high frequency range up to 31 GHz. The low loss coax cable offers dual shields and silver-plated conductors to maintain a shielding effectiveness of 110 dB. Conductor sizing for this low VSWR coax was selected to allow attachment of standard connectors designed for M17/130-RG402 and other cables in the M17/130 family. The cable jacket provides a tough, chemical and heat resistant barrier. This FM-F141HF flexible low loss coaxial cable is a great option for short length, high frequency jumpers or system hook-up cable assemblies. In many instances, this Fairview coax cable can be used to replace bent semi-rigid cable assemblies and save the time and cost of bending.



### Configuration:

- Flexible Cable
- 2 Shield(s)

### Electrical Specifications

Description	Min	Typ	Max	Units
Frequency Range	DC		31	GHz
Impedance		50 ±2		Ohms
Velocity of Propagation		70		%
Nominal Capacitance		29.4		pF/ft
		[96.46]		[pF/m]

### Performance by Frequency Band

Description	F1	F2	F3	F4	F5	Units
Frequency	0.4	1	2	2.4	3	GHz
Attenuation, Max	8 26.25	13 42.65	18.5 60.7	20 65.62	23 75.46	dB/100ft dB/100m
Attenuation, Typ	6.4 21	10.5 34.45	15.5 50.85	17.2 56.43	19.5 63.98	dB/100ft dB/100m

Description	F6	F7	F8	F9	F10	Units
Frequency	5	10	18	31		GHz
Attenuation, Max	30 98.43	45 147.64	64 209.97	92.3 302.82		dB/100ft
Attenuation, Typ	26.3 86.29	40.1 131.56	58.3 191.27	83.9 275.26		dB/100ft

### Mechanical Specifications

Diameter	0.163 in [4.14 mm]
Weight	0.0295 lbs/ft [0.04 kg/m]
Min. Bend Radius (Installation)	0.82 in [20.83 mm]

Fairview Microwave  
301 Leora Ln., Suite 100  
Lewisville, TX 75056  
Tel: 1-800-715-4396 / (972) 649-6678  
Fax: (972) 649-6689  
[www.fairviewmicrowave.com](http://www.fairviewmicrowave.com)  
[sales@fairviewmicrowave.com](mailto:sales@fairviewmicrowave.com)

### Construction Specifications

Description	Material and Plating	Diameter
Inner Conductor	Copper Clad Steel, Silver, 1 Strands	0.037 in [0.94 mm]
Conductor Type	Solid	
Dielectric	PTFE	0.117 in [2.97 mm]
First Shield	Silver Plated Copper Tape	[ ]
Second Shield	Silver Plated Copper Braid	[ ]
Jacket	FEP, Blue	0.163 in [4.14 mm]

### Environmental Specifications

#### Temperature

Operating Range

-55 to +200 deg C

### Compliance Certifications (see [product page](#) for current document)

### Plotted and Other Data

Notes:

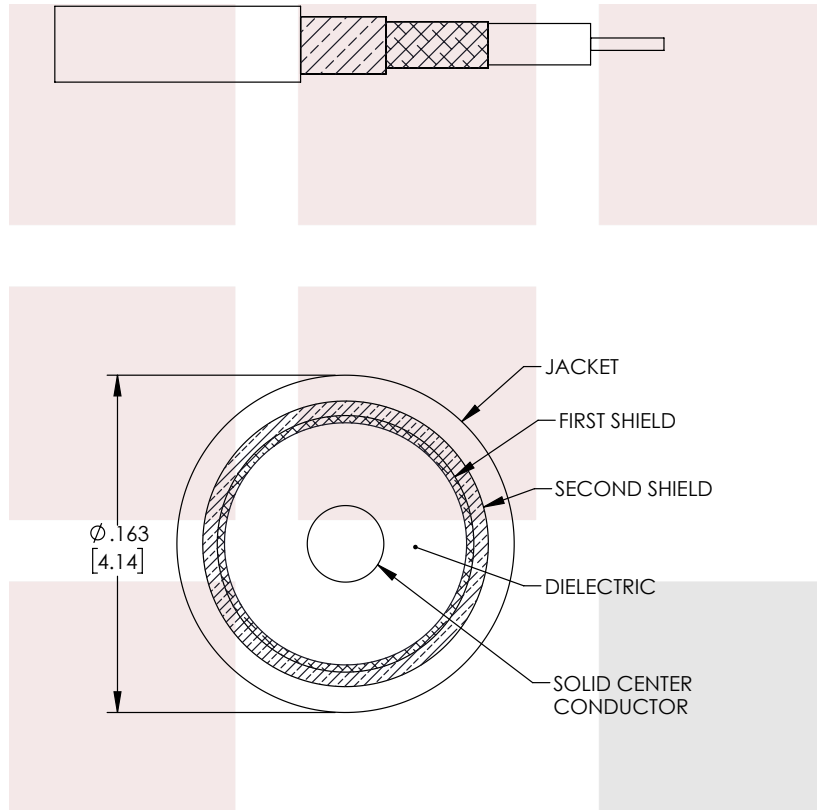
FM-F141HF Flexible Coax Cable Blue FEP Jacket from Fairview Microwave has same day shipment for domestic and International orders. Our RF, microwave and millimeter wave products maintain a 99% availability and are part of the broadest selection in the industry.

Click the following link to obtain additional part information: [FM-F141HF Flexible Coax Cable Blue FEP Jacket FM-F141HF-FT](#)

URL: <https://www.fairviewmicrowave.com/fm-f141hf-flexible-coax-cable-fep-jacket-fm-f141hf-ft-p.aspx>

The information contained in this document is accurate to the best of our knowledge and representative of the part described herein. It may be necessary to make modifications to the part and/or the documentation of the part, in order to implement improvements. Fairview Microwave reserves the right to make such changes as required. Unless otherwise stated, all specifications are nominal. Fairview Microwave does not make any representation or warranty regarding the suitability of the part described herein for any particular purpose, and Fairview Microwave does not assume any liability arising out of the use of any part or documentation.

REVISIONS			
REV.	DESCRIPTION	DATE	APPROVED
A	INITIAL RELEASE	03/24/2022	AGANWANI



THESE COMMODITIES, TECHNOLOGY OR SOFTWARE WERE EXPORTED FROM THE UNITED STATES IN ACCORDANCE WITH THE EXPORT ADMINISTRATION REGULATIONS. DIVERSION CONTRARY TO U.S. LAW PROHIBITED.

**Fairview Microwave**  
an INFINIT<sup>®</sup> brand

TITLE  
FM-F141HF Flexible Coax Cable Blue FEP Jacket

UNLESS OTHERWISE SPECIFIED LEADING DIMENSIONS ARE INCHES  
DIMENSIONS IN [ ] ARE MILLIMETERS

TOLERANCES:		CABLE LENGTH (L) TOLERANCES:	
.X = ±.2 [5.08]	FRACTIONS ± 1/32	L ≤ 12 [305] = +1 [25] / -0	
.XX = ±.02 [.51]		12 [305] < L ≤ 60 [1524] = +2 [51] / -0	
.XXX = ±.005 [.13]	ANGLES ± 1°	60 [1524] < L ≤ 120 [3048] = +4 [102] / -0	
		120 [3048] < L ≤ 300 [7620] = +6 [152] / -0	
		300 [7620] < L = +5%L / -0	

ALL DIMENSIONS SHOWN ARE FOR REFERENCE ONLY.

SIZE A	CAGE CODE 3FKR5	DRAWN BY DZINN	ITEM NO. FM-F141HF-FT	REV A
-----------	--------------------	-------------------	--------------------------	----------

THIRD-ANGLE PROJECTION

THE INFORMATION AND DESIGN IN THIS DOCUMENT IS THE PROPERTY OF FAIRVIEW MICROWAVE CORPORATION. ALL RIGHTS RESERVED.

SHEET 1 OF 1

SCALE N/A

T-Rev.D