

WR-15 Waveguide Isolator with 15 dB min Isolation from 65 GHz to 71 GHz using UG-385/U Cover Flange in Brass

The FM-W15IR002 is a Waveguide Isolator offering 15 dB minimum isolation over the V band frequency range of 65 to 71 GHz. The design achieves high isolation with wide band performance and the WR-15 waveguide uses UG-385/U Cover compatible flanges on all ports and has a power rating of 5 watts (CW).

Fairview Microwave offers a wide variety of isolators and waveguide isolators to fit your needs. These are two-port devices that transmit microwave or radio frequency power in one direction only and block the signal in the opposite direction. They can be thought of as a diode for RF energy. Isolators are used to isolate equipment from the effects of conditions outside of the equipment. For instance they are used to prevent a microwave source being detuned by a mismatched load. Fairview Microwave's waveguide isolators feature excellent insertion loss, full WR band high isolation and reliability.

Electrical Specifications

Description	Min	Typ	Max	Units
Frequency Range	65		71	GHz
Insertion Loss			0.6	dB
Isolation	15			dB
VSWR			1.4:1	
Forward Power (CW)			5	Watts
Forward Power (Peak)			30	Watts
Reverse Power (CW)			0.5	Watts
Reverse Power (Peak)			3	Watts

Mechanical Specifications

Size

Length	1.06 in [26.92 mm]
Width	0.87 in [22.1 mm]
Height	0.75 in [19.05 mm]
Weight	0.1 lbs [45.36 g]

Configuration

Waveguide Size	WR-15
Flange Designation	UG-385/U
Flange Type	Cover
Body Material and Plating	Brass, Gold

Environmental Specifications

Compliance Certifications (see [product page](#) for current document)

Plotted and Other Data

Notes:



Features:

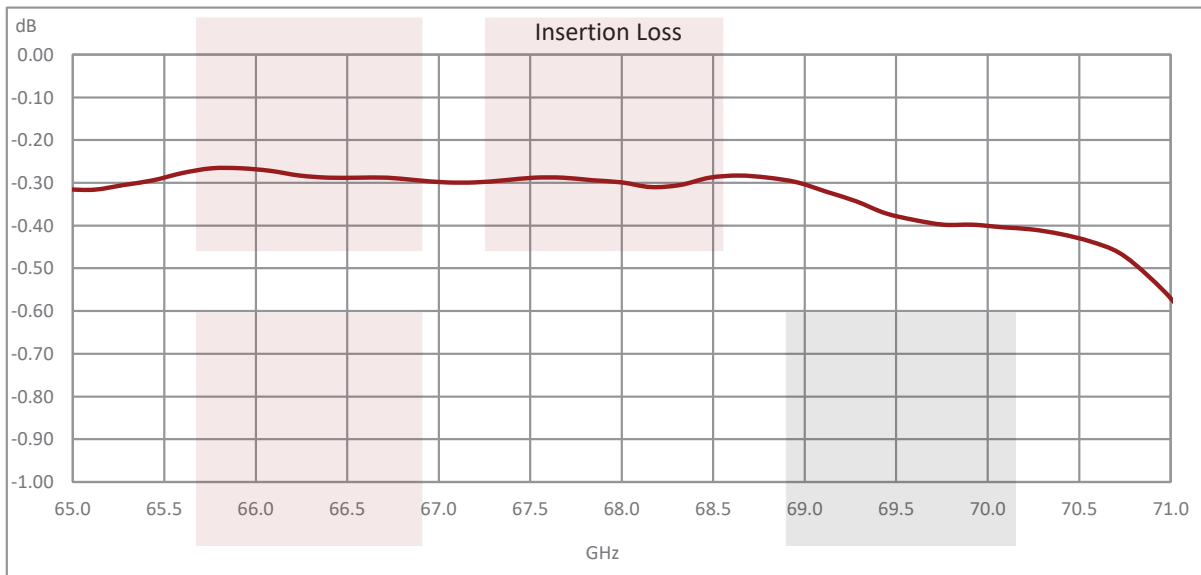
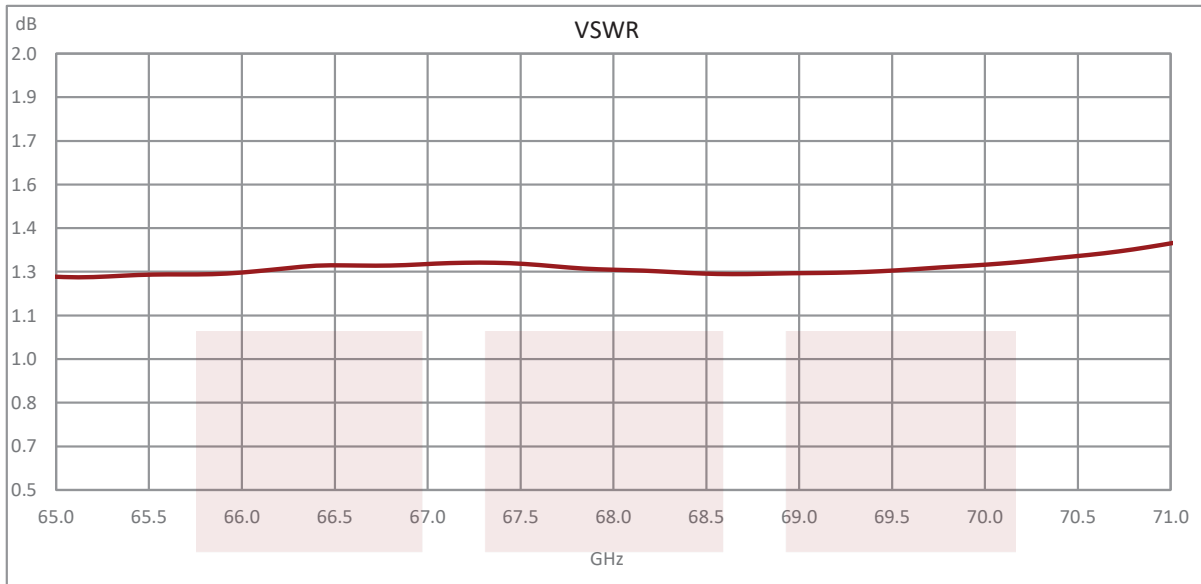
- WR-15 Waveguide Isolator
- V Band Frequency Range 65 to 71 GHz
- UG-385/U Flange Configuration
- Maximum VSWR 1.4:1
- Minimum 15 dB isolation
- Maximum Forward Power 5 W (CW)

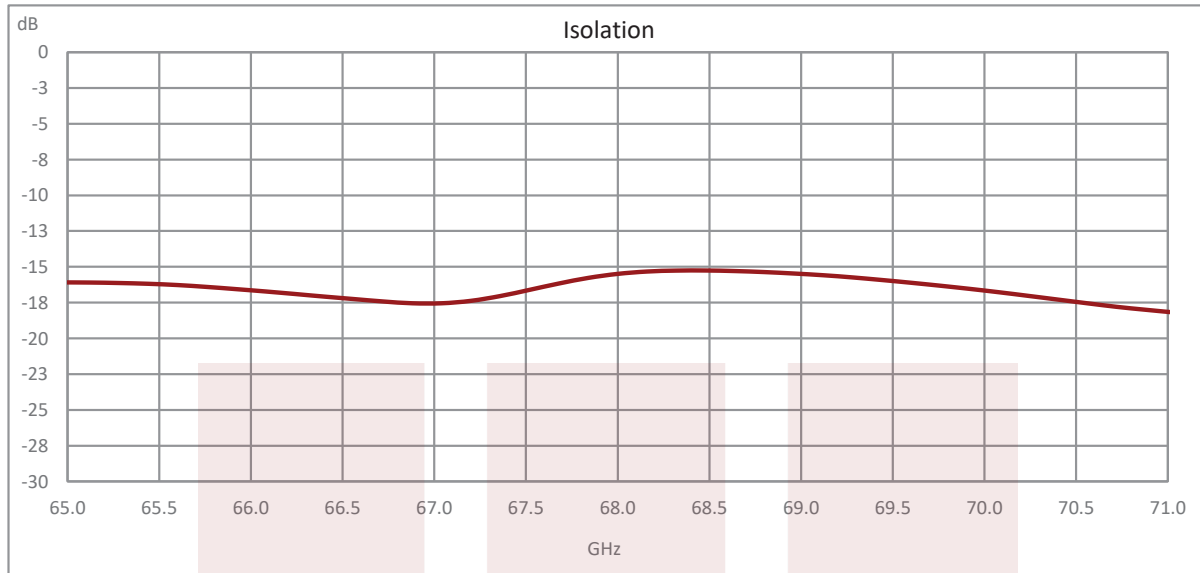
Applications:

- Radar Systems
- Military
- Wireless Radio Systems
- Telecom Infrastructure
- Communication Systems
- R&D Labs
- Microwave Radio Systems

Fairview Microwave
301 Leora Ln., Suite 100
Lewisville, TX 75056
Tel: 1-800-715-4396 / (972) 649-6678
Fax: (972) 649-6689
www.fairviewmicrowave.com
sales@fairviewmicrowave.com

Typical Performance Data



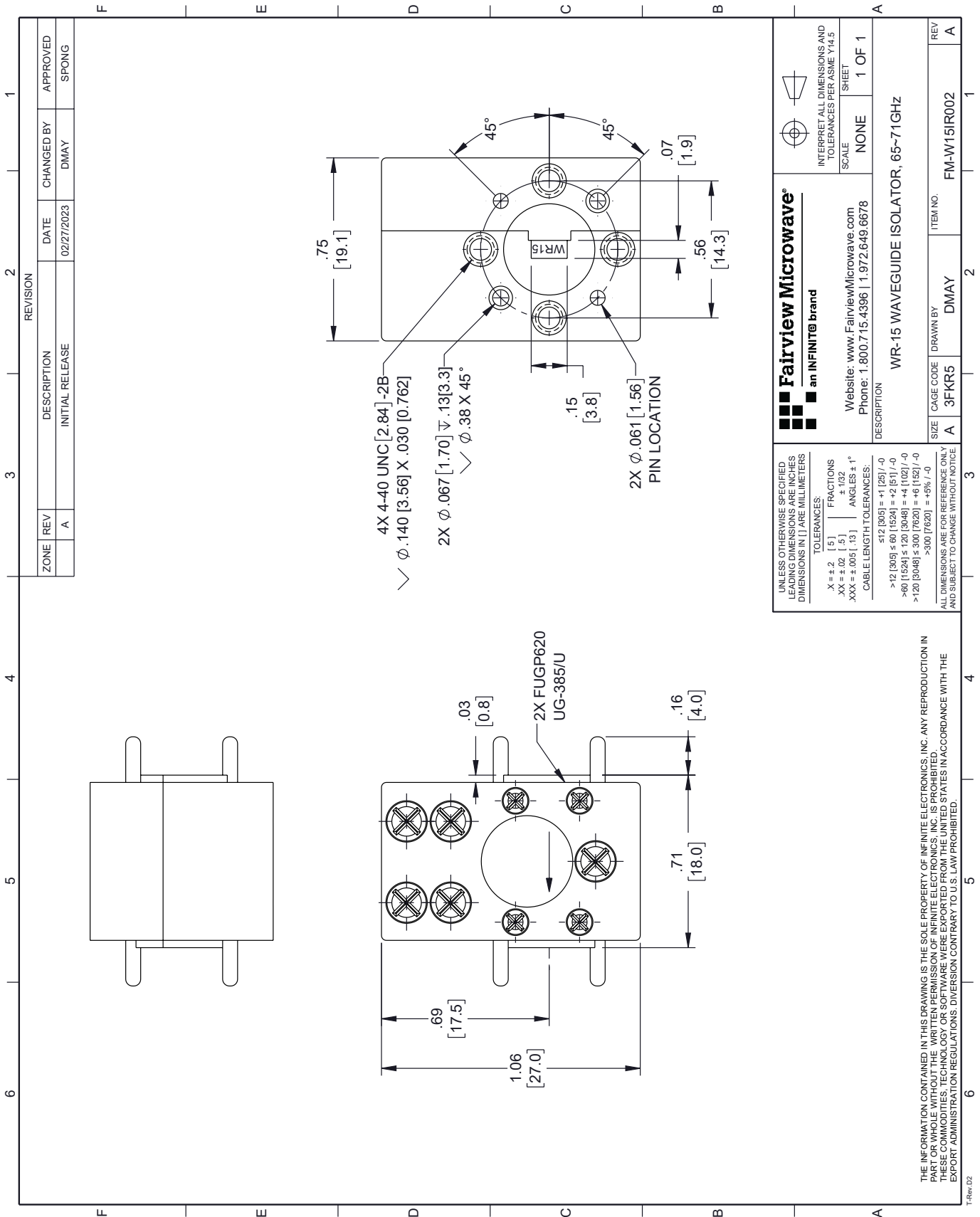


WR-15 Waveguide Isolator with 15 dB min Isolation from 65 GHz to 71 GHz using UG-385/U Cover Flange in Brass from Fairview Microwave is in-stock and available to ship same-day. All of our RF/microwave products are available off-the-shelf from our ISO 9001:2008 certified facilities in Lewisville, Texas. Fairview Microwave is RF on-demand.

For additional information on this product, please click the following link: [WR-15 Waveguide Isolator with 15 dB min Isolation from 65 GHz to 71 GHz using UG-385/U Cover Flange in Brass FM-W15IR002](#)

URL: <https://www.fairviewmicrowave.com/wr12-waveguide-isolator-15db-71ghz-ug385-fm-w15ir002-p.aspx>

The information contained in this document is accurate to the best of our knowledge and representative of the part described herein. It may be necessary to make modifications to the part and/or the documentation of the part, in order to implement improvements. Fairview Microwave reserves the right to make such changes as required. Unless otherwise stated, all specifications are nominal. Fairview Microwave does not make any representation or warranty regarding the suitability of the part described herein for any particular purpose, and Fairview Microwave does not assume any liability arising out of the use of any part or documentation.



THE INFORMATION CONTAINED IN THIS DRAWING IS THE SOLE PROPERTY OF INFINITE ELECTRONICS, INC. ANY REPRODUCTION IN PART OR WHOLE WITHOUT THE WRITTEN PERMISSION OF INFINITE ELECTRONICS, INC. IS PROHIBITED. THESE COMMODITIES, TECHNOLOGY OR SOFTWARE WERE EXPORTED FROM THE UNITED STATES IN ACCORDANCE WITH THE EXPORT ADMINISTRATION REGULATIONS. DIVERSION CONTRARY TO U.S. LAW PROHIBITED.

T-Rev D2