

Fixed Antenna Operates From 2.45 GHz to 2.55 GHz With a Nominal 3 dB Gain N Male Input Connector

Fixed vertical omnidirectional antenna FM51064 from Fairview Microwave is part of our extensive in-stock omnidirectional radio antenna selection. This vertical omnidirectional antenna has a frequency range of 2.45 GHz to 2.55 GHz and a 3 nominal dBi gain. Our omni vertical antenna uses N input and is rated for 0 Watts input. FM51064 omni-directional vertical radio antenna is one of over 40,000 RF, microwave and millimeter wave components supplied from Fairview Microwave. Our fixed omni directional vertical aerial can be bought and shipped worldwide the same-day as with our other in-stock RF parts.

Configuration

Design: Fixed
Polarization: Vertical
Connector Type: N Male

Electrical Specifications

Description	Min	Typ	Max	Units
Frequency Range	2,450		2,550	MHz
Input VSWR			1.43:1	
Impedance		50		Ohms
Gain	3			dB

Mechanical Specifications

Radome Material: Fiber Glass

Size

Length: 4.4 in [111.76 mm]
Width: 0.85 in [21.59 mm]
Height: 0 in [0 mm]
Weight: 0.062 lbs [28.12 g]

Environmental Specifications

Compliance Certifications (see [product page](#) for current document)

Plotted and Other Data

Notes:



Features:

- Vertical Polarized
- Omnidirectional External Dipole
- 2.45 to 2.55 GHz
- 3 dBi gain
- Type N Female Connector

Applications:

- 2.4 GHz Wi-Fi
- IoT
- Zigbee, Bluetooth

Fairview Microwave
301 Leora Ln., Suite 100
Lewisville, TX 75056
Tel: 1-800-715-4396 / (972) 649-6678
Fax: (972) 649-6689
www.fairviewmicrowave.com
sales@fairviewmicrowave.com

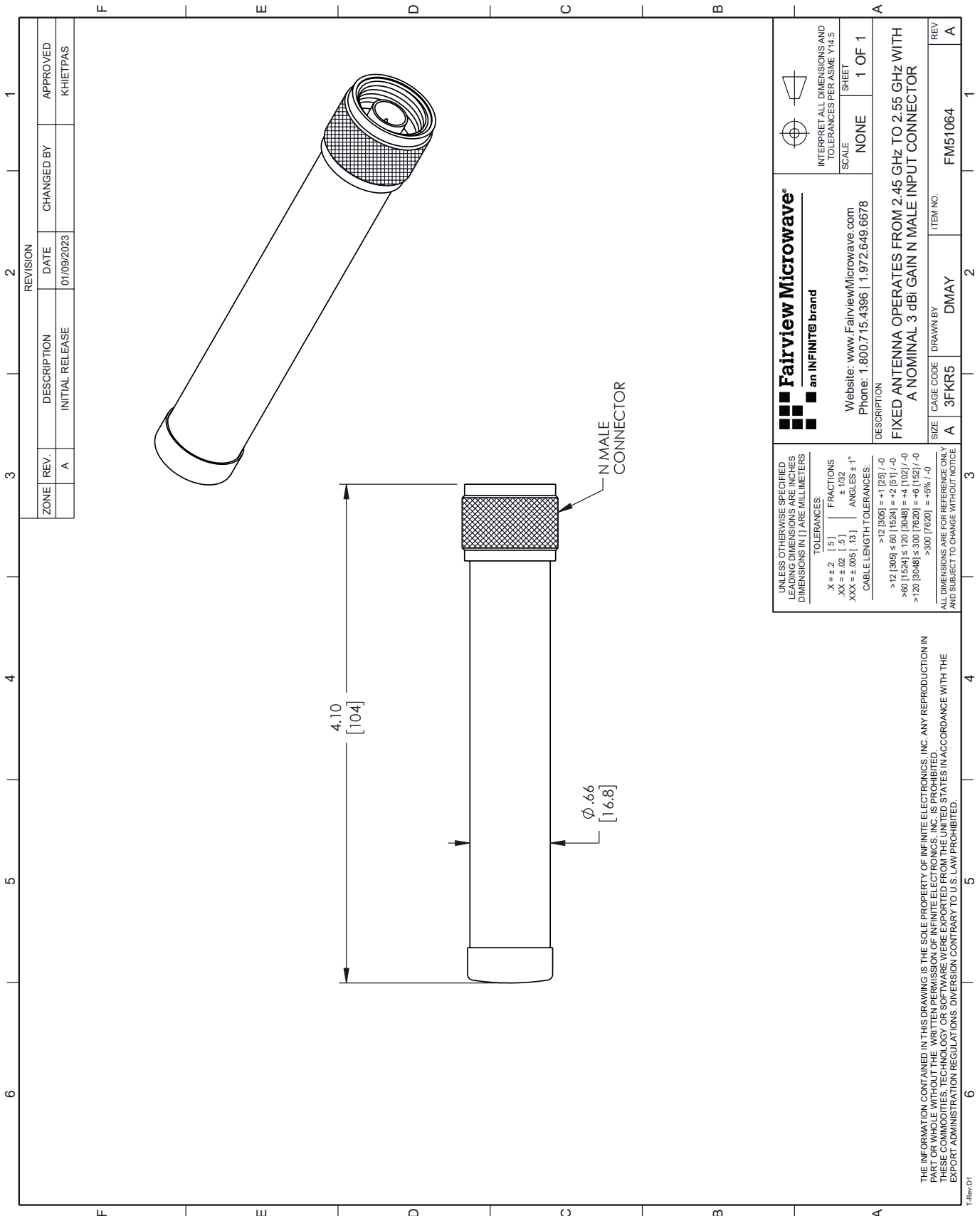
Fixed Antenna Operates From 2.45 GHz to 2.55 GHz With a Nominal 3 dB Gain N Male Input Connector from Fairview Microwave is in-stock and available to ship same-day. All of our RF/microwave products are available off-the-shelf from our ISO 9001:2008 certified facilities in Lewisville, Texas. Fairview Microwave is RF on-demand.

For additional information on this product, please click the following link: [Fixed Antenna Operates From 2.45 GHz to 2.55 GHz With a Nominal 3 dB Gain N Male Input Connector FM51064](#)

URL: <https://www.fairviewmicrowave.com/db-fixed-antenna-2450-2550-mhz-n-type-connector-fm51064-p.aspx>

The information contained in this document is accurate to the best of our knowledge and representative of the part described herein. It may be necessary to make modifications to the part and/or the documentation of the part, in order to implement improvements. Fairview Microwave reserves the right to make such changes as required. Unless otherwise stated, all specifications are nominal. Fairview Microwave does not make any representation or warranty regarding the suitability of the part described herein for any particular purpose, and Fairview Microwave does not assume any liability arising out of the use of any part or documentation.





REVISION		DATE	CHANGED BY	APPROVED
ZONE	REV.	DESCRIPTION	INITIAL RELEASE	
	A			KHIETPAS

<p>Fairview Microwave[®] an INFINIT[®] brand</p> <p>Website: www.FairviewMicrowave.com Phone: 1.800.715.4396 1.972.649.6678</p>	<p>INTERPRET ALL DIMENSIONS AND TOLERANCES PER ASME Y14.5</p>
	<p>SCALE: NONE</p> <p>SHEET: 1 OF 1</p>
<p>DESCRIPTION: FIXED ANTENNA OPERATES FROM 2.45 GHz TO 2.55 GHz WITH A NOMINAL 3 dBI GAIN N MALE INPUT CONNECTOR</p>	
<p>SIZE: A</p> <p>CAGE CODE: 3FKR5</p> <p>DRAWN BY: DMAY</p>	<p>ITEM NO.: FM51064</p> <p>REV: A</p>

UNLESS OTHERWISE SPECIFIED, LEADING DIMENSIONS ARE INCHES. DIMENSIONS IN [] ARE MILLIMETERS.

TOLERANCES:

.X = ±.2	[.5]	FRACTIONS
.XX = ±.02	[.5]	± 1/32
.XXX = ±.005	[.13]	ANGLES ± 1°

CABLE LENGTH TOLERANCES:

>12 [305]	±.125	/-0
>60 [1524]	±.25	/-0
>120 [3048]	±.50	/-0
>300 [7620]	±.75	/-0

ALL DIMENSIONS ARE FOR REFERENCE ONLY AND SUBJECT TO CHANGE WITHOUT NOTICE.

THE INFORMATION CONTAINED IN THIS DRAWING IS THE SOLE PROPERTY OF INFINITE ELECTRONICS, INC. ANY REPRODUCTION IN PART OR WHOLE WITHOUT THE WRITTEN PERMISSION OF INFINITE ELECTRONICS, INC. IS PROHIBITED. THESE COMMODITIES, TECHNOLOGY OR SOFTWARE WERE EXPORTED FROM THE UNITED STATES IN ACCORDANCE WITH THE EXPORT ADMINISTRATION REGULATIONS. DIVERSION CONTRARY TO U.S. LAW PROHIBITED.