

**698-960 MHz / 1710-2700 MHz / 3400-4200 MHz**  
**Low PIM Rated VH-pol MIMO Panel Antenna, 5-7 dBi,**  
**Wall Mount, 2 x 4.3-10 Female Connector**

The wall mount MIMO panel FM51229 antenna from Fairview Microwave is a high performance, low PIM rated RF component which operates from 698 to 4200 MHz. The FM51229 antenna is ideal for 5G, LTE, CDMA, LPWAN/IoT/M2M applications including LoRA, LTE-M, NB-IOT and Distributed Antenna System (DAS) Networks. The Multi-Band design of the Fairview Microwave FM51229 antenna can be used for a wide array of in-building wireless applications where wide coverage is desired. Fairview Microwave's FM51229 can be used to distribute Cellular and WiFi signals throughout a building or area.

The 4.3-10 connectorized FM51229 antenna with V/H polarization from Fairview Microwave provides Passive Intermodulation (PIM) ratings better than -150 dBc. The key to providing the best performance in telecommunications is to ensure the components used are low PIM rated. The 698-4200 MHz FM51229 with 7 dBi max gain helps meet the increasing demand for higher data rates and the ability to provide streaming video for mobile devices.

The 4.3-10 connectorized FM51229 antenna from Fairview Microwave excels in large open areas such as indoor courtyards, indoor sporting venues, convention centers and shopping malls. The mounting bracket and hardware are included for easy installation. Fairview Microwave wall mount MIMO panel with 4.3-10 female purchases will ship the same day. Our FM51229 antenna is part of over one million RF, microwave and millimeter wave components in stock and ready for same-day shipment worldwide.

**Configuration**

Design	Panel
Frequency Range	698 to 4200 MHz
Gain	5 to 7 dBi
Polarization	Vertical/Horizontal
Connector Type	4.3-10 Female
Interface 2	4.3-10 Female
Number of Ports	2

**Electrical Specifications**

Description	Min	Typ	Max	Units
Impedance		50		Ohms
Gain		5		dBi
Gain			7	dBi
Input Power			100	Watts
VSWR			2:1	
Passive Intermodulation 3rd Order, 2 x 20 W		-153		dBc

**Specifications by Frequency**

Description	Band 1	Band 2	Band 3	Band 4	Band 5	Units
Range	0.698-0.806	0.806-0.96	1.71-2.7	3.4-4.2		GHz
Gain	5	6	7	7		dBi
Horiz. Beam Width	80	80	65	35		Degrees


**Features:**

- Low Passive Intermodulation (PIM) <-153 dBc @ 2x20W
- Vertical + Horizontal Polarization
- Low return loss, stable performance
- 2 x 4.3-10 Female connector for long lasting consistent results
- Covers 5G, WiFi and LTE frequency bands including extended CBRS

**Applications:**

- Indoor distribution of 5G, LTE, GSM/CDMA
- In-building public or private networks
- LPWAN, LoRA, LTE-M, NB-IoT, IoT, M2M applications
- MIMO DAS (Distributed Antenna Systems)
- Wall Mounts

Fairview Microwave  
 301 Leora Ln., Suite 100  
 Lewisville, TX 75056  
 Tel: 1-800-715-4396 / (972) 649-6678  
 Fax: (972) 649-6689  
[www.fairviewmicrowave.com](http://www.fairviewmicrowave.com)  
[sales@fairviewmicrowave.com](mailto:sales@fairviewmicrowave.com)

Vert. Beam Width	73	70	60	30	Degrees
VSWR	2:1	2:1	2:1	2:1	

### Mechanical Specifications

Radome Material PVC

#### Size

Length 15.75 in [400.05 mm]  
 Width 7.09 in [180.09 mm]  
 Height 2.44 in [61.98 mm]  
 Weight 3.3 lbs [1.5 kg]

### Environmental Specifications

#### Temperature

Operating Range -55 to +60 deg C

Humidity < 95

### Compliance Certifications (see [product page](#) for current document)

### Plotted and Other Data

Notes:

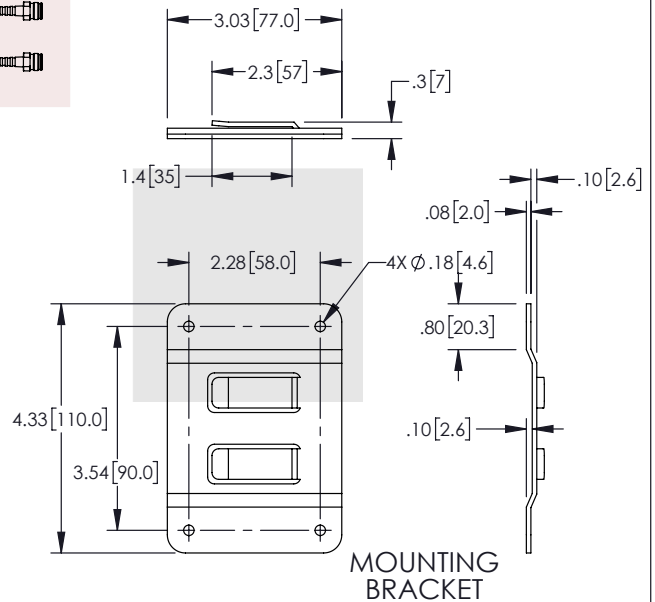
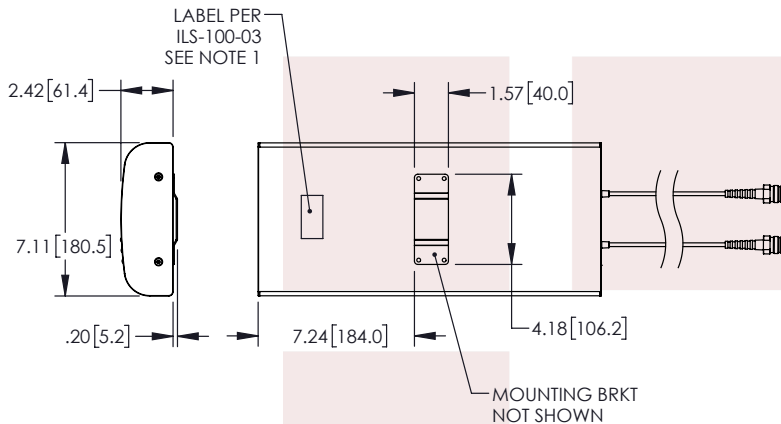
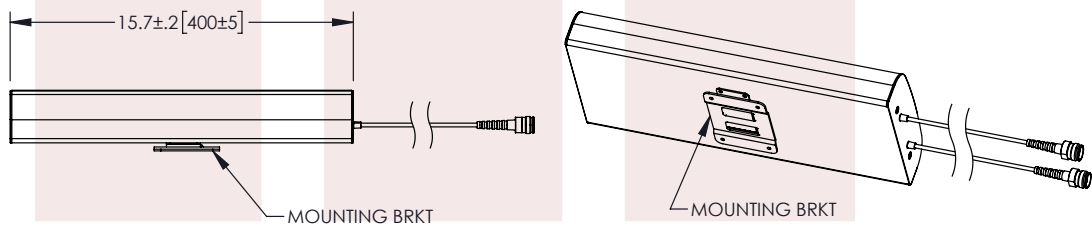
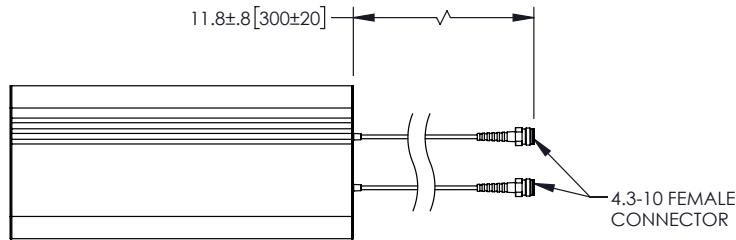
698-960 MHz / 1710-2700 MHz / 3400-4200 MHz Low PIM Rated VH-pol MIMO Panel Antenna, 5-7 dBi, Wall Mount, 2 x 4.3-10 Female Connector from Fairview Microwave is in-stock and available to ship same-day. All of our RF/microwave products are available off-the-shelf from our ISO 9001:2008 certified facilities in Lewisville, Texas. Fairview Microwave is RF on-demand.

For additional information on this product, please click the following link: [698-960 MHz / 1710-2700 MHz / 3400-4200 MHz Low PIM Rated VH-pol MIMO Panel Antenna, 5-7 dBi, Wall Mount, 2 x 4.3-10 Female Connector FM51229](#)

URL: <https://www.fairviewmicrowave.com/wide-band-antenna-5-dbi-4.3-10-female-fm51229-p.aspx>

The information contained in this document is accurate to the best of our knowledge and representative of the part described herein. It may be necessary to make modifications to the part and/or the documentation of the part, in order to implement improvements. Fairview Microwave reserves the right to make such changes as required. Unless otherwise stated, all specifications are nominal. Fairview Microwave does not make any representation or warranty regarding the suitability of the part described herein for any particular purpose, and Fairview Microwave does not assume any liability arising out of the use of any part or documentation.

REVISIONS			
REV.	DESCRIPTION	DATE	APPROVED
A	INITIAL RELEASE	04/21/2021	KHIETPAS



NOTES:

1. LABEL PER ILS-100-03 (FOR INTERNAL REFERENCE ONLY) LABEL LOCATION FOR REFERENCE ONLY.

THESE COMMODITIES, TECHNOLOGY OR SOFTWARE WERE EXPORTED FROM THE UNITED STATES IN ACCORDANCE WITH THE EXPORT ADMINISTRATION REGULATIONS. DIVERSION CONTRARY TO U.S. LAW PROHIBITED.

TITLE

698-960 MHz / 1710-2700 MHz / 3400-4200 MHz Low PIM Rated VH-pol MIMO Panel Antenna, 5-7 dBi, Wall Mount, 2 x 4.3-10 Female Connector

UNLESS OTHERWISE SPECIFIED LEADING DIMENSIONS ARE INCHES DIMENSIONS IN [ ] ARE MILLIMETERS

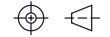
TOLERANCES:

.X ± .2 [ .508] FRACTIONS ± 1/32  
.XX ± .02 [ .51] ± 1/32  
.XXX ± .005 [ .13] ANGLES ± 1°

CABLE LENGTH (L) TOLERANCES:

L ≤ 12 [305] = +1 [25] / -0  
12 [305] < L ≤ 60 [1524] = +2 [51] / -0  
60 [1524] < L ≤ 120 [3048] = +4 [102] / -0  
120 [3048] < L ≤ 300 [7620] = +6 [152] / -0  
300 [7620] < L = +5%L / -0

THIRD-ANGLE PROJECTION



THE INFORMATION AND DESIGN IN THIS DOCUMENT IS THE PROPERTY OF FAIRVIEW MICROWAVE CORPORATION. ALL RIGHTS RESERVED.

SHEET 1 OF 1

SCALE N/A

ALL DIMENSIONS SHOWN ARE FOR REFERENCE ONLY.

SIZE A	CAGE CODE 3FKR5	DRAWN BY DZINN	ITEM NO. FM51229	REV A
-----------	--------------------	-------------------	---------------------	----------

T-Rev.D