

2/3/5 dBi Poly Flex Vehicular Antenna 698-960/1710-2700 MHz NMO Mount Connector

This compact multi-band mobile omnidirectional antenna is ideally suited for multipoint mobile applications including service vehicles, public transportation, public safety, mining and construction vehicles, as well numerous other commercial and industrial applications where mobility and wide coverage is desired. This antenna features a flexible Poly Spring base. Unlike the traditional metal spring base, the Poly Spring will not corrode and does not generate electrical noise when flexed during use. It has a standard TAD/NMO Motorola-type mobile base.

Configuration

Design	Vehicular
Gain	2 dBi
Polarization	Linear, Vertical
Connector Type	NMO Mount

Electrical Specifications

Description	Min	Typ	Max	Units
Frequency Range	698		2,700	MHz
Input VSWR		1.5:1	2:1	
Impedance		50		Ohms
Horizontal (Azimuth) Beam Width		360		Degrees
Vertical (Elevation) Beam Width		70		Degrees
Input Power			100	Watts

Specifications by Frequency

Description	Band 1	Band 2	Band 3	Band 4	Band 5	Units
Range	0.698-0.96	1.71-2.15	2.15-2.7			GHz
Gain	2	3	5			dBi

Mechanical Specifications

Radome Material	Elastomeric Polymer
Housing Material	Brass
Housing Plating/Color	Black Chrome

Size

Base Diameter	1.6 in [40.64 mm]
Length	0 in [0 mm]
Width	0 in [0 mm]
Height	3.63 in [92.2 mm]
Weight	0.13 lbs [58.97 g]

Environmental Specifications

Temperature

Operating Range	-40 to +85 deg C
Humidity	95%
Vibration	AAR & MIL-STD810E
Corrosion	Salt Fog



Features:

- Design Incorporates Expanded Frequency Range and Reduced Height
- Compactive Coupled Design Optimizes LTE Signal Performance while Maintaining Low-Profile Tapered Form Factor
- Dust and O-Ring Seals for Reliable High Pressure Car Wash & Waterproof Performance (IP66)
- Flexible Elastomeric Polymer Housing Resist High Speed Impact and Damage from low hanging obstructions

Applications:

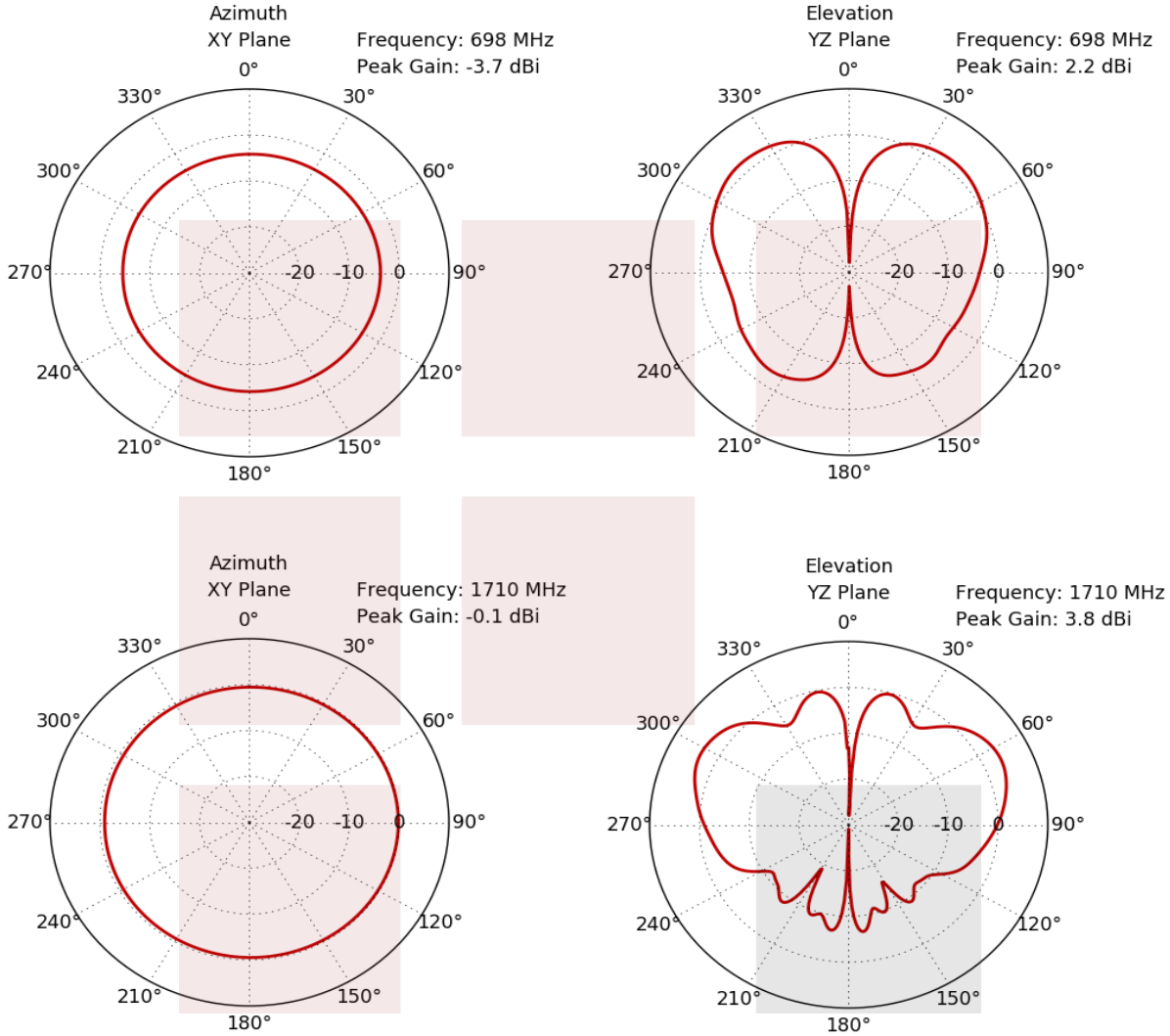
- Service Vehicles
- Public Safety
- Public Transportation
- Mining & Construction

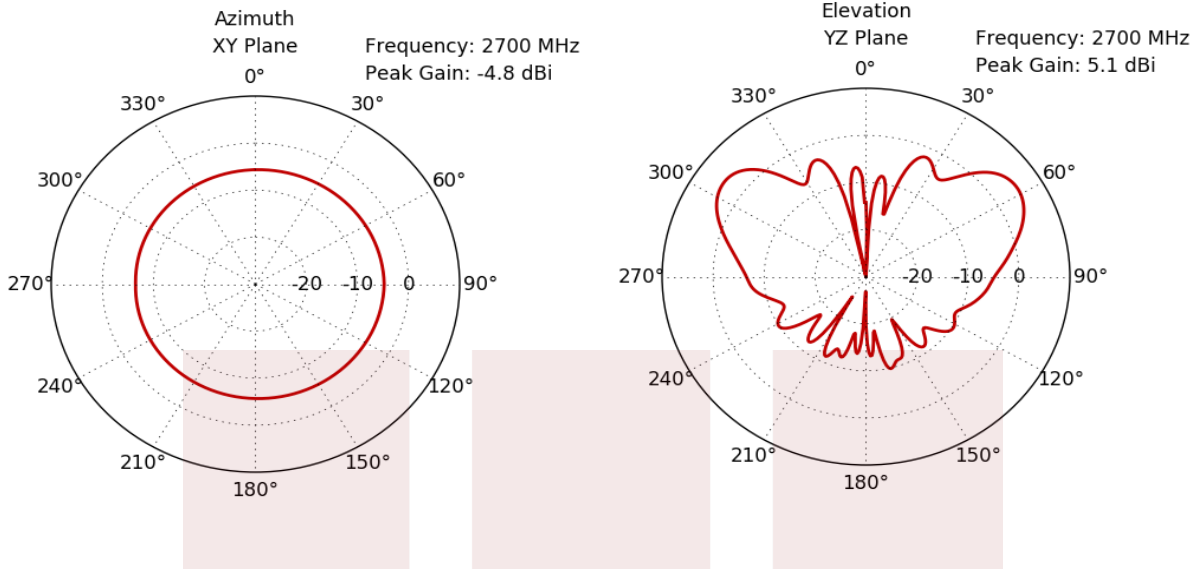
Fairview Microwave
301 Leora Ln., Suite 100
Lewisville, TX 75056
Tel: 1-800-715-4396 / (972) 649-6678
Fax: (972) 649-6689
www.fairviewmicrowave.com
sales@fairviewmicrowave.com

Compliance Certifications (see [product page](#) for current document)

Plotted and Other Data

Notes:



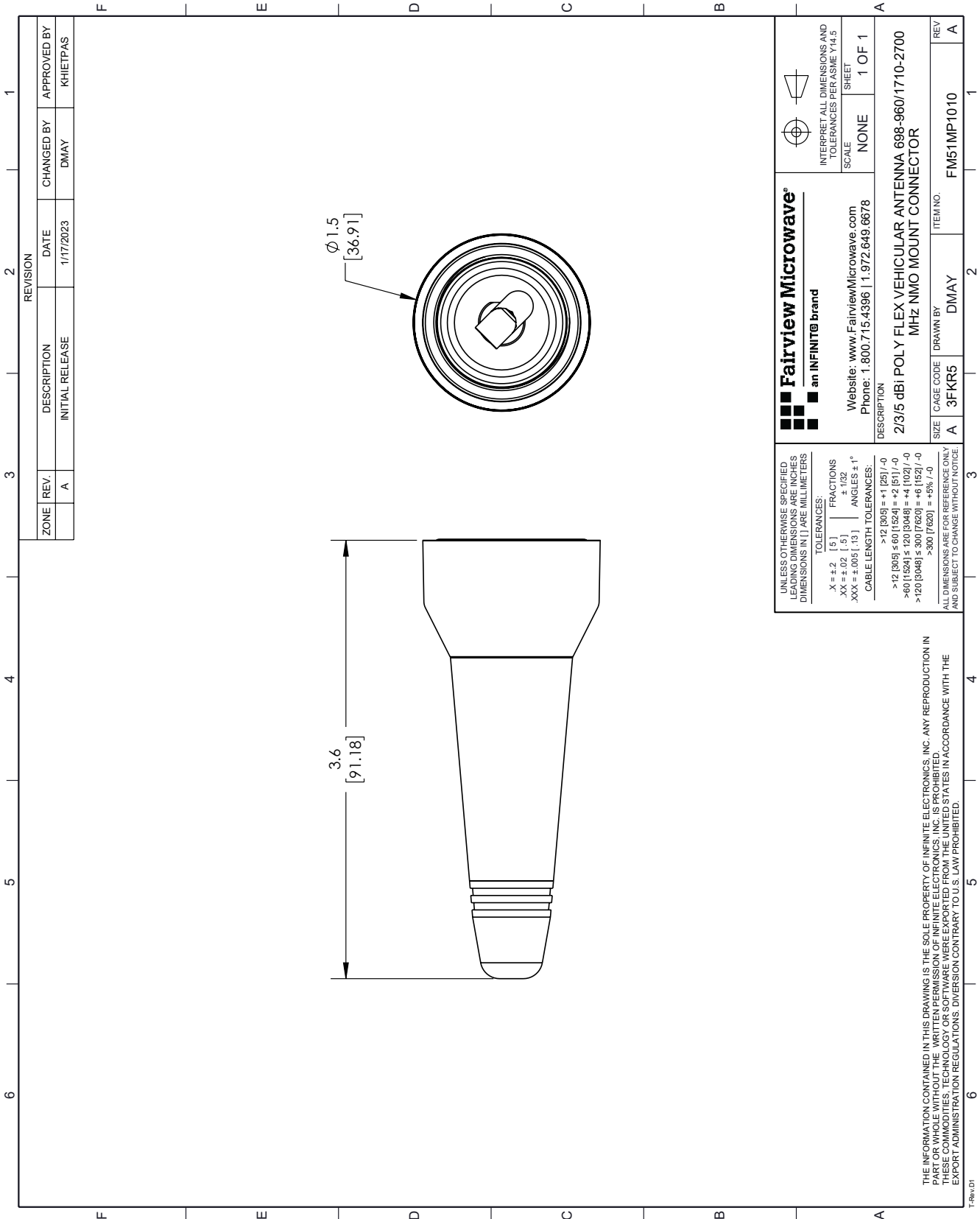


2/3/5 dBi Poly Flex Vehicular Antenna 698-960/1710-2700 MHz NMO Mount Connector from Fairview Microwave is in-stock and available to ship same-day. All of our RF/microwave products are available off-the-shelf from our ISO 9001:2008 certified facilities in Lewisville, Texas. Fairview Microwave is RF on-demand.

For additional information on this product, please click the following link: [2/3/5 dBi Poly Flex Vehicular Antenna 698-960/1710-2700 MHz NMO Mount Connector FM51MP1010](https://www.fairviewmicrowave.com/2-3-5-dbi-poly-flex-vehicular-antenna-698-960-1710-2700-mhz-nmo-mount-connector-fm51mp1010)

URL: <https://www.fairviewmicrowave.com/2-3-5-dbi-poly-flex-vehicular-antenna-698-960-1710-2700-mhz-nmo-mount-connector-fm51mp1010-p.aspx>

The information contained in this document is accurate to the best of our knowledge and representative of the part described herein. It may be necessary to make modifications to the part and/or the documentation of the part, in order to implement improvements. Fairview Microwave reserves the right to make such changes as required. Unless otherwise stated, all specifications are nominal. Fairview Microwave does not make any representation or warranty regarding the suitability of the part described herein for any particular purpose, and Fairview Microwave does not assume any liability arising out of the use of any part or documentation.



REVISION		DATE	CHANGED BY	APPROVED BY
ZONE	REV.	DESCRIPTION	INITIAL RELEASE	
	A		1/17/2023	DWAY

Fairview Microwave[®]
 an INFINIT[®] brand
 Website: www.FairviewMicrowave.com
 Phone: 1.800.715.4396 | 1.972.649.6678

INTERPRET ALL DIMENSIONS AND TOLERANCES PER ASME Y14.5
 SCALE: NONE
 SHEET: 1 OF 1

UNLESS OTHERWISE SPECIFIED, DIMENSIONS ARE IN INCHES UNLESS DIMENSIONS IN LARGE MILLIMETERS
 TOLERANCES:
 .X = ±.2 [5] FRACTIONS ± .132 ANGLES ± 1°
 .XX = ±.02 [.5]
 .XXX = ±.005 [.13]
 CABLE LENGTH TOLERANCES:
 >12 [305] ≤ 60 [1524] = ±1 [25] / -0
 >60 [1524] ≤ 120 [3048] = ±4 [102] / -0
 >120 [3048] ≤ 300 [7620] = ±6 [152] / -0
 >300 [7620] = ±5% / -0

DESCRIPTION
2/3/5 dBi POLY FLEX VEHICULAR ANTENNA 698-960/1710-2700 MHz NMO MOUNT CONNECTOR

SIZE: A
 CAGE CODE: 3FKR5
 DRAWN BY: DMAY
 ITEM NO.: FM51MP1010

THE INFORMATION CONTAINED IN THIS DRAWING IS THE SOLE PROPERTY OF INFINITE ELECTRONICS, INC. ANY REPRODUCTION IN WHOLE OR IN PART WITHOUT THE WRITTEN PERMISSION OF INFINITE ELECTRONICS, INC. IS PROHIBITED.
 THESE COMMODITIES, TECHNOLOGY OR SOFTWARE WERE EXPORTED FROM THE UNITED STATES IN ACCORDANCE WITH THE EXPORT ADMINISTRATION REGULATIONS. DIVERSION CONTRARY TO U.S. LAW PROHIBITED.