

## 4 dBi Omni Antenna 2.4-2.5 GHz, N Type Male Fiberglass Radome, 1.5:1 Max VSWR

The Fairview Microwave brand model FM510M1024 is an economical yet high performance omnidirectional antenna designed for the 2.4 GHz ISM band. This compact and lightweight antenna is ideally suited for IEEE 802.11b, 802.11g and 802.11n wireless LANs, Bluetooth, public wireless hotspot application and other multipoint applications where wide coverage is desired.

Constructed for all weather operation, the FM510M1024 features sealed collinear brass elements inside a durable UV-stable machine gray fiberglass radome. A vented end cap and drain holes in the base help prevent moisture build-up inside the antenna. These features allow the FM510M1024 to be mounted in up or down positions.

The FM510M1024 features an integral N-Male connector. This allows it to be mounted to various types of N-Female Bulkhead connectors and adapters as well as N-Female type magnetic mounts which are available separately or in kits with the FM510M1024 antenna.

### Configuration

Design	Omni
Gain	4
Polarization	Vertical
Connector Type	N Male
Number of Ports	1

### Electrical Specifications

Description	Min	Typ	Max	Units
Frequency Range	2,400		2,500	MHz
Input VSWR			1.5:1	
Impedance		50		Ohms
Gain		4		dBi
Horizontal (Azimuth) Beam Width		360		Degrees
Vertical (Elevation) Beam Width		30		Degrees
Input Power			100	Watts

### Mechanical Specifications

Radome Material	Fiberglass
<b>Size</b>	
Base Diameter	1.2 in [30.48 mm]
Radome Diameter	0.75 in [19.05 mm]
Length	8.1 in [205.74 mm]
Width	1.26 in [32 mm]
Height	1.26 in [32 mm]
Weight	0.13 lbs [58.97 g]

### Environmental Specifications

<b>Temperature</b>	
Operating Range	-40 to +85 deg C



### Features:

- High performance in a compact lightweight design
- Durable UV-Stable fiberglass radome
- All weather operation
- Integral N-Male connector
- Optional magnetic mounts available

### Applications:

- 2.4 GHz ISM Band
- IEEE 802.11b, 802.11g and 802.11n Wireless LAN
- Public wireless hotspots
- WiFi Access Points
- Multipoint and mobile applications

Fairview Microwave  
 301 Leora Ln., Suite 100  
 Lewisville, TX 75056  
 Tel: 1-800-715-4396 / (972) 649-6678  
 Fax: (972) 649-6689  
[www.fairviewmicrowave.com](http://www.fairviewmicrowave.com)  
[sales@fairviewmicrowave.com](mailto:sales@fairviewmicrowave.com)

**Compliance Certifications** (see [product page](#) for current document)

**Plotted and Other Data**

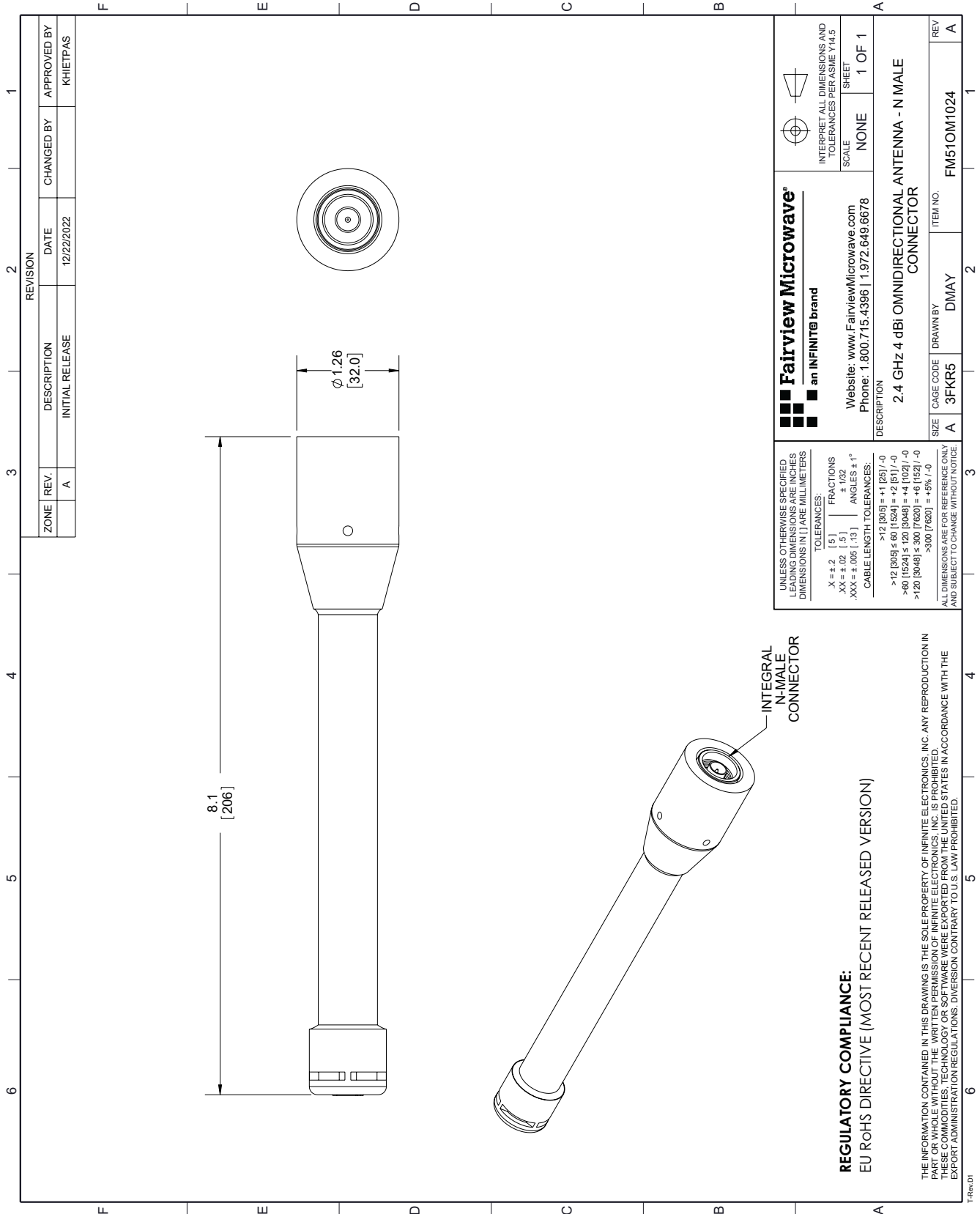
Notes:

4 dBi Omni Antenna 2.4-2.5 GHz, N Type Male Fiberglass Radome, 1.5:1 Max VSWR from Fairview Microwave is in-stock and available to ship same-day. All of our RF/microwave products are available off-the-shelf from our ISO 9001:2008 certified facilities in Lewisville, Texas. Fairview Microwave is RF on-demand.

For additional information on this product, please click the following link: [4 dBi Omni Antenna 2.4-2.5 GHz, N Type Male Fiberglass Radome, 1.5:1 Max VSWR FM510M1024](#)

URL: <https://www.fairviewmicrowave.com/4-dbi-omni-antenna-2.4-2.5-ghz-n-tyfm-male-1.5-1-max-vswr-fm510m1024-p.aspx>

The information contained in this document is accurate to the best of our knowledge and representative of the part described herein. It may be necessary to make modifications to the part and/or the documentation of the part, in order to implement improvements. Fairview Microwave reserves the right to make such changes as required. Unless otherwise stated, all specifications are nominal. Fairview Microwave does not make any representation or warranty regarding the suitability of the part described herein for any particular purpose, and Fairview Microwave does not assume any liability arising out of the use of any part or documentation.



REVISION		DATE	APPROVED BY
ZONE	REV.	DESCRIPTION	CHANGED BY
	A	INITIAL RELEASE	KHIETPAS
		12/22/2022	

 <b>Fairview Microwave</b> an INFINIT <sup>®</sup> brand		 INTERPRET ALL DIMENSIONS AND TOLERANCES PER ASME Y14.5
Website: <a href="http://www.FairviewMicrowave.com">www.FairviewMicrowave.com</a> Phone: 1.800.715.4396   1.972.649.6678		SCALE: NONE SHEET: 1 OF 1
DESCRIPTION: <b>2.4 GHz 4 dBi OMNIDIRECTIONAL ANTENNA - N MALE CONNECTOR</b>		
SIZE: A	CAGE CODE: 3FKR5	ITEM NO.: FM510M1024
DRAWN BY: DMAY		REV: A

UNLESS OTHERWISE SPECIFIED, DIMENSIONS ARE IN INCHES. DIMENSIONS IN PARENTHESES ARE IN MILLIMETERS.

TOLERANCES:

.X = ±.2 [5]      FRACTIONS ± 1/32  
 .XX = ±.02 [.5]      ANGLES ± 1°  
 .XXX = ±.005 [.13]

CABLE LENGTH TOLERANCES:  
 >12 [305] ≤ 60 [1524] = +1 [25] / -0  
 >60 [1524] ≤ 120 [3048] = +4 [102] / -0  
 >120 [3048] ≤ 300 [7620] = +6 [152] / -0  
 >300 [7620] = +5% / -0

ALL DIMENSIONS ARE FOR REFERENCE ONLY AND SUBJECT TO CHANGE WITHOUT NOTICE.

**REGULATORY COMPLIANCE:**  
 EU ROHS DIRECTIVE (MOST RECENT RELEASED VERSION)

THE INFORMATION CONTAINED IN THIS DRAWING IS THE SOLE PROPERTY OF INFINITE ELECTRONICS, INC. ANY REPRODUCTION IN PART OR WHOLE WITHOUT THE WRITTEN PERMISSION OF INFINITE ELECTRONICS, INC. IS PROHIBITED.  
 EXPORT RESTRICTIONS: THIS DRAWING IS UNCLASSIFIED AND IS NOT SUBJECT TO U.S. EXPORT ADMINISTRATION REGULATIONS. DIVERSION CONTRARY TO U.S. LAW PROHIBITED.