

8 dBi Omni Antenna 2.4-2.5 GHz, SMA Plug Fiberglass Radome, 2:1 Max VSWR

The Fairview Microwave FM510M1026 is a very compact yet high performance omnidirectional WiFi antenna designed for the 2.4GHz ISM band. It is ideally suited for multipoint and mobile applications where high gain and wide coverage is desired. Additional applications include IEEE 802.11b, 802.11g and 802.11n wireless LANs, Bluetooth®, public wireless hotspot applications.

This antenna's construction features a durable fiberglass radome for durability and aesthetics. Its mounting system features a heavy-duty extruded aluminum bracket and stainless steel U-Bolt for superior strength.

Configuration

| | |
|-----------------|------------------|
| Design | Omni |
| Gain | 8 |
| Polarization | Vertical |
| Cable Type | Coax lead |
| Cable Length | 12 in [304.8 mm] |
| Connector Type | SMA Plug |
| Number of Ports | 1 |

Electrical Specifications

| Description | Min | Typ | Max | Units |
|---------------------------------|-------|-----|-------|---------|
| Frequency Range | 2,400 | | 2,500 | MHz |
| Input VSWR | | | 2:1 | |
| Impedance | | 50 | | Ohms |
| Gain | | 8 | | dBi |
| Horizontal (Azimuth) Beam Width | | 360 | | Degrees |
| Vertical (Elevation) Beam Width | | 18 | | Degrees |
| Input Power | | | 100 | Watts |

Mechanical Specifications

| | |
|------------------------|----------------------|
| Radome Material | Fiberglass |
| Size | |
| Length | 16.8 in [426.72 mm] |
| Width | 1.1 in [27.94 mm] |
| Height | 1.1 in [27.94 mm] |
| Mounting Mast Diameter | 2.38 in [60.45 mm] |
| Weight | 0.564 lbs [255.83 g] |

Environmental Specifications

| | |
|--------------------|----------------------|
| Temperature | |
| Operating Range | -40 to +85 deg C |
| Wind Loading | 100 MPH [160.93 KPH] |

Compliance Certifications (see [product page](#) for current document)

Plotted and Other Data

Notes:



Features:

- Compact, lightweight design
- Durable UV-stable fiberglass radome
- All weather operation
- 12" coax lead
- Includes mounting system

Applications:

- 2.4 GHz ISM Band
- Supports IEEE 802.11b/g/n applications
- WiFi and 2.4 GHz wireless video systems
- Bluetooth® & Public Wireless Hotspot

Fairview Microwave
 301 Leora Ln., Suite 100
 Lewisville, TX 75056
 Tel: 1-800-715-4396 / (972) 649-6678
 Fax: (972) 649-6689
www.fairviewmicrowave.com
sales@fairviewmicrowave.com

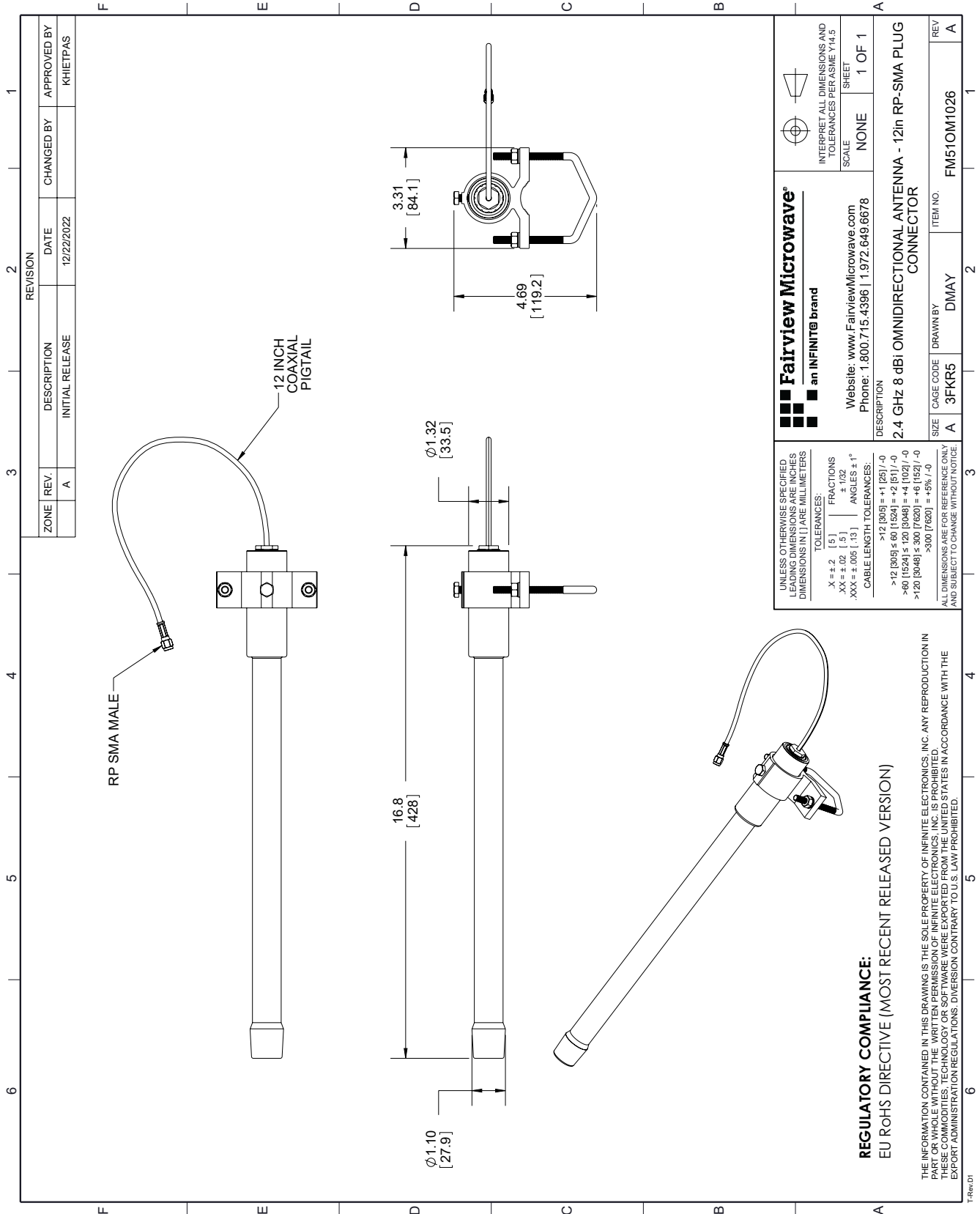
8 dBi Omni Antenna 2.4-2.5 GHz, SMA Plug Fiberglass Radome, 2:1 Max VSWR from Fairview Microwave is in-stock and available to ship same-day. All of our RF/microwave products are available off-the-shelf from our ISO 9001:2008 certified facilities in Lewisville, Texas. Fairview Microwave is RF on-demand.

For additional information on this product, please click the following link: [8 dBi Omni Antenna 2.4-2.5 GHz, SMA Plug Fiberglass Radome, 2:1 Max VSWR FM51OM1026](#)

URL: <https://www.fairviewmicrowave.com/8-dbi-omni-antenna-2.4-2.5-ghz-sma-plug-2-1-max-vswr-fm51om1026-p.aspx>

The information contained in this document is accurate to the best of our knowledge and representative of the part described herein. It may be necessary to make modifications to the part and/or the documentation of the part, in order to implement improvements. Fairview Microwave reserves the right to make such changes as required. Unless otherwise stated, all specifications are nominal. Fairview Microwave does not make any representation or warranty regarding the suitability of the part described herein for any particular purpose, and Fairview Microwave does not assume any liability arising out of the use of any part or documentation.





| REVISION | | DATE | APPROVED BY |
|----------|-----------------|------------|-------------|
| 1 | INITIAL RELEASE | 12/22/2022 | KHIETPAS |

| ZONE | REV. | DESCRIPTION | CHANGED BY |
|------|------|-----------------|------------|
| A | A | INITIAL RELEASE | KHIETPAS |

| | |
|--|---|
| <p>Fairview Microwave[®] an INFINIT[®] brand</p> <p>Website: www.FairviewMicrowave.com Phone: 1.800.715.4396 1.972.649.6678</p> | <p>INTERPRET ALL DIMENSIONS AND TOLERANCES PER ASME Y14.5</p> <p>SCALE: NONE</p> <p>SHEET: 1 OF 1</p> |
| <p>DESCRIPTION: 2.4 GHz 8 dBi OMNIDIRECTIONAL ANTENNA - 12in RP-SMA PLUG CONNECTOR</p> | |
| <p>SIZE: A</p> <p>CAGE CODE: 3FKR5</p> <p>DRAWN BY: DMAY</p> <p>ITEM NO.: FM510M1026</p> | <p>REV: A</p> |

UNLESS OTHERWISE SPECIFIED, DIMENSIONS ARE IN INCHES. DIMENSIONS IN [] ARE MILLIMETERS.

TOLERANCES:

.X = ±.2 [5] FRACTIONS
 .XX = ±.02 [.5] ANGLES ± 1°
 .XXX = ±.005 [.13]

CABLE LENGTH TOLERANCES:

>12 [305] = ±1 [25] / -0
 >12 [305] ≤ 60 [1524] = +2 [51] / -0
 >60 [1524] ≤ 120 [3048] = +4 [102] / -0
 >120 [3048] ≤ 300 [7620] = +6 [152] / -0
 >300 [7620] = +5% / -0

ALL DIMENSIONS ARE FOR REFERENCE ONLY AND SUBJECT TO CHANGE WITHOUT NOTICE.

REGULATORY COMPLIANCE:
 EU RoHS DIRECTIVE (MOST RECENT RELEASED VERSION)

THE INFORMATION CONTAINED IN THIS DRAWING IS THE SOLE PROPERTY OF INFINITE ELECTRONICS, INC. ANY REPRODUCTION IN PART OR WHOLE WITHOUT THE WRITTEN PERMISSION OF INFINITE ELECTRONICS, INC. IS PROHIBITED. THE INFORMATION CONTAINED HEREIN IS VALID IN THE UNITED STATES IN ACCORDANCE WITH THE EXPORT ADMINISTRATION REGULATIONS. DIVERSION CONTRARY TO U.S. LAW PROHIBITED.