

6 dBi Omni Antenna 698-960 MHz N Type Connector

The 5G /LTE outdoor omnidirectional FM51OM1034 antenna from Fairview Microwave is a high performance RF component which operates from 698 to 960 MHz. The FM51OM1034 antenna is ideal for 5G, LTE, CDMA, LPWAN/IoT/M2M applications including LoRA, LTE-M, and NB-IOT. The Multi-Band design of the Fairview Microwave FM51OM1034 antenna can be used for a wide array of cellular telecommunication wireless applications where wide coverage is desired. Fairview Microwave's FM51OM1034 can be used to distribute Cellular signals throughout an outdoor area.

The Type N connectorized FM51OM1034 antenna with vertical polarization from Fairview Microwave provides excellent outdoor coverage for all base station applications. The Type N connectorized FM51OM1034 antenna from Fairview Microwave excels in large open areas. The mounting bracket and hardware are included for easy installation. Fairview Microwave 5G / LTE outdoor omnidirectional with Type N female purchases will ship the same day. Our FM51OM1034 antenna is part of over one million RF, microwave and millimeter wave components in stock and ready for same-day shipment worldwide.

Configuration

Design	Omni
Polarization	Vertical
Connector Type	N Female
Number of Ports	1

Electrical Specifications

Description	Min	Typ	Max	Units
Frequency Range	698		960	MHz
Impedance		50		Ohms
Gain		6		dBi
Input Power			200	Watts
VSWR			2:1	

Mechanical Specifications

Radome Material	Fiberglass
Size	
Length	42.8 in [108.71 cm]
Width	2.3 in [58.42 mm]
Mounting Mast Diameter	1.18 to 2.36 in [29.97 to 59.94 mm]
Weight	3.3 lbs [1.5 kg]

Environmental Specifications

Temperature	
Operating Range	-40 to +70 deg C
Wind Loading	124.27 MPH [199.99 KPH]
Humidity	91



Features:

- All weather operation
- Includes heavy duty steel mast mounting brackets
- Lightweight fiberglass radome
- Integral N-Female connector
- Rugged industrial grade design
- 360° Omnidirectional Pattern
- 4 to 6 dBi gain

Applications:

- Supports lowband LTE and 5G networks
- Point to Multipoint and Non Line of Sight (NLOS) Applications
- 600, 700, 800 Cellular Band Operation

Fairview Microwave
 301 Leora Ln., Suite 100
 Lewisville, TX 75056
 Tel: 1-800-715-4396 / (972) 649-6678
 Fax: (972) 649-6689
www.fairviewmicrowave.com
sales@fairviewmicrowave.com

Compliance Certifications (see [product page](#) for current document)

Plotted and Other Data

Notes:

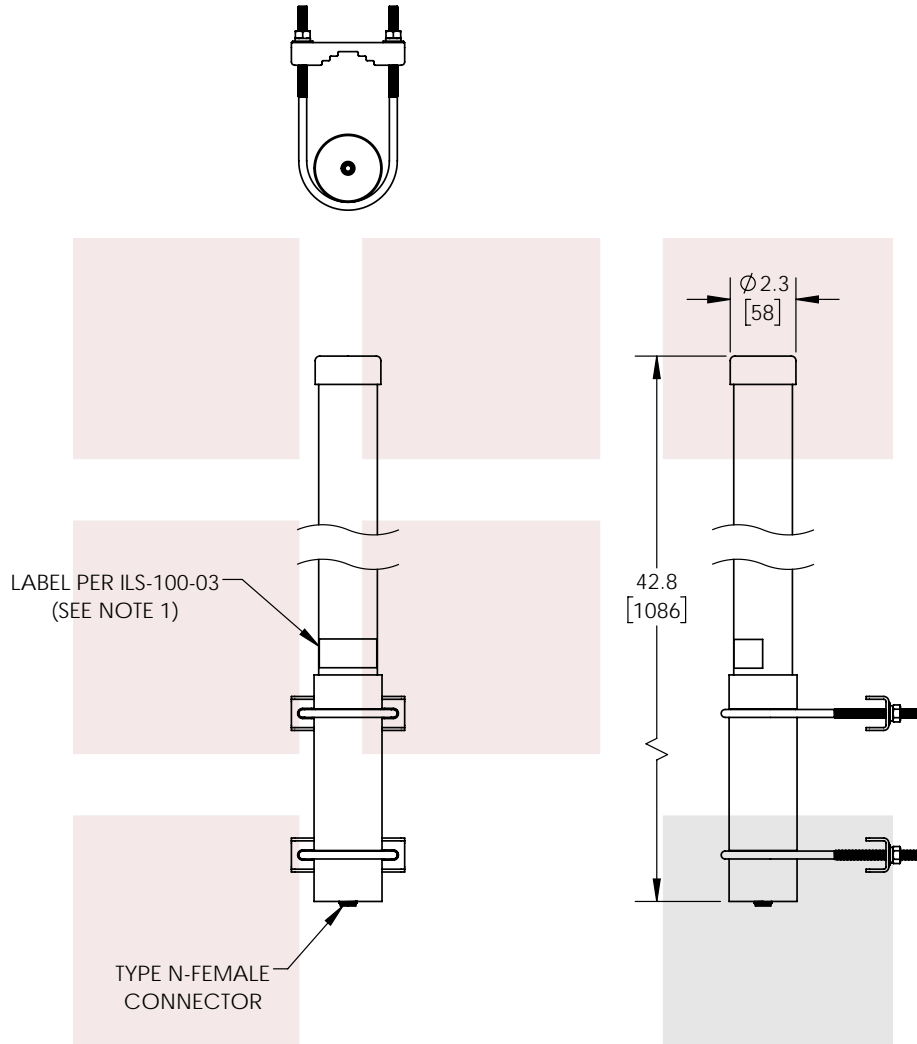
6 dBi Omni Antenna 698-960 MHz N Type Connector from Fairview Microwave is in-stock and available to ship same-day. All of our RF/microwave products are available off-the-shelf from our ISO 9001:2008 certified facilities in Lewisville, Texas. Fairview Microwave is RF on-demand.

For additional information on this product, please click the following link: [6 dBi Omni Antenna 698-960 MHz N Type Connector FM510M1034](#)

URL: <https://www.fairviewmicrowave.com/antenna-6-dbi-n-female-fm51om1034-p.aspx>

The information contained in this document is accurate to the best of our knowledge and representative of the part described herein. It may be necessary to make modifications to the part and/or the documentation of the part, in order to implement improvements. Fairview Microwave reserves the right to make such changes as required. Unless otherwise stated, all specifications are nominal. Fairview Microwave does not make any representation or warranty regarding the suitability of the part described herein for any particular purpose, and Fairview Microwave does not assume any liability arising out of the use of any part or documentation.

REVISIONS			
REV.	DESCRIPTION	DATE	APPROVED
A	INITIAL RELEASE	05/17/2021	KHIETPAS



- NOTES:
1. LABEL PER ILS-100-03 (FOR INTERNAL REFERENCE ONLY)
LABEL LOCATION FOR REFERENCE ONLY

THESE COMMODITIES, TECHNOLOGY OR SOFTWARE WERE EXPORTED FROM THE UNITED STATES IN ACCORDANCE WITH THE EXPORT ADMINISTRATION REGULATIONS. DIVERSION CONTRARY TO U.S. LAW PROHIBITED.

<p>Fairview Microwave an INFINIT[®] brand</p>	UNLESS OTHERWISE SPECIFIED LEADING DIMENSIONS ARE INCHES DIMENSIONS IN [] ARE MILLIMETERS		THIRD-ANGLE PROJECTION 	
	TOLERANCES:		CABLE LENGTH (L) TOLERANCES:	
TITLE	.X = ±.2 [5.08]	FRACTIONS ± 1/32	L ≤ 12 [305] = +1 [25] / -0	THE INFORMATION AND DESIGN IN THIS DOCUMENT IS THE PROPERTY OF FAIRVIEW MICROWAVE CORPORATION. ALL RIGHTS RESERVED. SHEET 1 OF 1
6 dBi Omni Antenna 698-960 MHz N Type Connector	.XX = ±.02 [.51]	ANGLES ± 1°	12 [305] < L ≤ 60 [1524] = +2 [51] / -0	
	.XXX = ±.005 [.13]		60 [1524] < L ≤ 120 [3048] = +4 [102] / -0	SCALE N/A
			120 [3048] < L ≤ 300 [7620] = +6 [152] / -0	
	ALL DIMENSIONS SHOWN ARE FOR REFERENCE ONLY.			
SIZE A	CAGE CODE 3FKR5	DRAWN BY BPUCHASKI	ITEM NO. FM510M1034	REV A

T-Rev.D