

Precision N Female (Jack) to 7mm Adapter with Passivated Stainless Steel Body



FMAD10034

Configuration

- N Female Connector 1
- 7mm Sexless Connector 2
- 50 Ohms Impedance
- Precision Design
- Straight Body Geometry

Features

- VSWR of 1.15:1 max up to 18 GHz
- Gold over Nickel over copper Plated Beryllium Copper Contact

Applications

- Enables Between Series Connections
- General Purpose Test
- Precision Test & Measurement

Description

Type N female to 7mm adapter part number FMAD10034 from Fairview Microwave is in-stock and ships same day. This Fairview type N to 7mm adapter has a female to sexless gender configuration and is built of durable stainless steel in a precision design. FMAD10034 type N female to 7mm adapter operates to 18 GHz. The Fairview Microwave RF adapter provides excellent VSWR of 1.15:1 maximum.

RF adapters can be used to enable connections between two connector types that would otherwise not mate. Certain RF adapter configurations can also be used to protect connectors on expensive equipment where the number of connect and disconnect cycles is high. An RF, microwave, or millimeter wave adapter is connected to the equipment and the commonly changed connection is made with the adapter which can be easily replaced when it wears out after high usage; such adapters are referred to as connector savers. Fairview Microwave also offers bulkhead, panel mount, hermetically sealed, reverse polarity, and isolated ground adapter varieties to serve all of your RF, microwave and millimeter wave needs.

Electrical Specifications

Description	Minimum	Typical	Maximum	Units
Frequency Range	DC		18	GHz
Impedance		50		Ohms
VSWR			1.15:1	

Mechanical Specifications

Size

Length	1.31 in [33.27 mm]
Width	0.87 in [22.10 mm]
Height	0.87 in [22.10 mm]
Weight	0.14 lbs [63.50 g]

Description	Connector 1	Connector 2
Polarity	Standard	Standard

Precision N Female (Jack) to 7mm Adapter with Passivated Stainless Steel Body



FMAD10034

Material Specifications

Description	Connector 1		Connector 2	
	Material	Plating	Material	Plating
Type	N Female		7mm Sexless	
Contact	Beryllium Copper	Gold over Nickel over copper	Beryllium Copper	Gold over Nickel over copper
Outer Conductor	Passivated Stainless Steel		Passivated Stainless Steel	
Body	Passivated Stainless Steel		Passivated Stainless Steel	

Compliance Certifications (see [product page](#) for current document)

Precision N Female (Jack) to 7mm Adapter with Passivated Stainless Steel Body from Fairview Microwave is in-stock and available to ship same-day. All of our RF/microwave products are available off-the-shelf from our ISO 9001:2008 certified facilities in Lewisville, Texas. Fairview Microwave is RF on-demand.

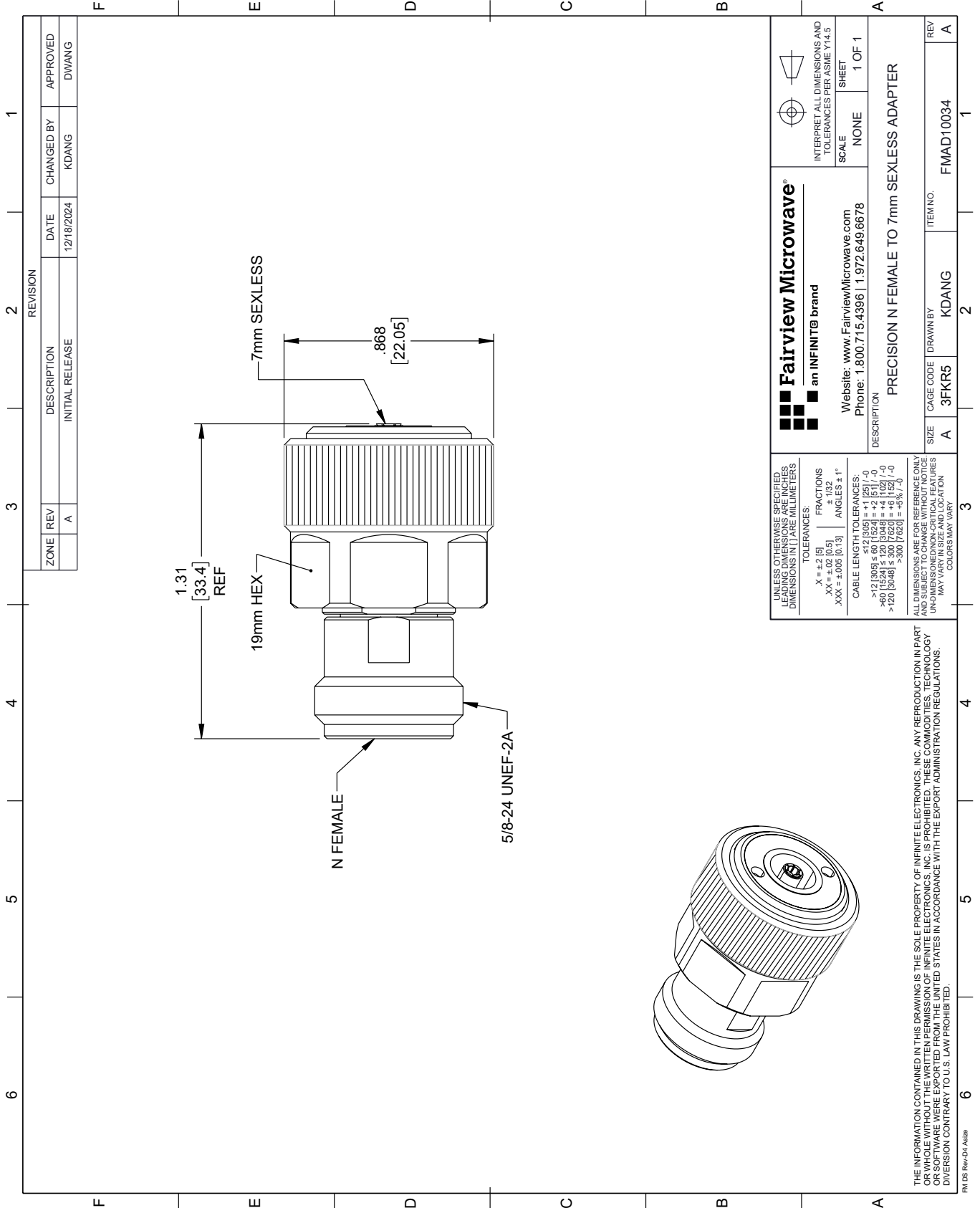
For additional information on this product, please click the following link: [Precision N Female \(Jack\) to 7mm Adapter with Passivated Stainless Steel Body FMAD10034](#)

URL: <https://www.fairviewmicrowave.com/product/rf-adapters/precision-n-female-to-7mm-adapter-with-passivated-stainless-steel-body-fmad10034.html>

The information contained within this document is accurate to the best of our knowledge and representative of the part described herein. It may be necessary to make modifications to the part and/or the documentation of the part in order to implement improvements. Fairview Microwave reserves the right to make such changes as required. Unless otherwise stated, all specifications are nominal. Fairview Microwave does not make any representation or warranty regarding the suitability of the part described herein for any particular purpose, and Fairview Microwave does not assume liability arising out of the use of any part or document.

FMAD10034 CAD Drawing

Precision N Female (Jack) to 7mm Adapter with Passivated Stainless Steel Body



REVISION		DATE	CHANGED BY	APPROVED	
ZONE	REV	DESCRIPTION	DATE	CHANGED BY	APPROVED
	A	INITIAL RELEASE	12/18/2024	KDANG	DWANG

 Fairview Microwave® an INFINIT® brand		 INTERPRET ALL DIMENSIONS AND TOLERANCES PER ASME Y14.5 SCALE NONE SHEET 1 OF 1
Website: www.FairviewMicrowave.com Phone: 1.800.715.4396 1.972.649.6678		
DESCRIPTION PRECISION N FEMALE TO 7mm SEXLESS ADAPTER		
SIZE	CAGE CODE	ITEM NO.
A	3FKR5	KDANG
		REV
		A

UNLESS OTHERWISE SPECIFIED, LEADING DIMENSIONS ARE IN INCHES. DIMENSIONS IN [] ARE MILLIMETERS.

TOLERANCES:
 .X = ±.2 [5]
 .XX = ±.02 [0.5]
 .XXX = ±.005 [0.13]

FRACTIONS ± 1/32
 ANGLES ± 1°

CABLE LENGTH TOLERANCES:
 <12 [305] ≤ 60 [1524] = ±1 [25] / -0
 >60 [1524] ≤ 120 [3048] = ±4 [102] / -0
 >120 [3048] ≤ 300 [7620] = ±5% / -0

ALL DIMENSIONS ARE FOR REFERENCE ONLY. DIMENSIONS OF CRITICAL FEATURES MAY VARY IN SIZE AND LOCATION. COLORS MAY VARY.

THE INFORMATION CONTAINED IN THIS DRAWING IS THE SOLE PROPERTY OF INFINITE ELECTRONICS, INC. ANY REPRODUCTION IN PART OR WHOLE WITHOUT THE WRITTEN PERMISSION OF INFINITE ELECTRONICS, INC. IS PROHIBITED. THESE COMMODITIES, TECHNOLOGY OR SOFTWARE WERE EXPORTED FROM THE UNITED STATES IN ACCORDANCE WITH THE EXPORT ADMINISTRATION REGULATIONS. DIVERSION CONTRARY TO U.S. LAW PROHIBITED.

FM DS Rev-D4 Alt26