

**Low PIM N Female to 7/16 DIN Female Adapter**  
**Low VSWR**

Low PIM type N female to 7/16 DIN female adapter part number FMAD1034 from Fairview Microwave is in-stock and ships same day. This Fairview type N to 7/16 DIN adapter has a female to female gender configuration in a low PIM design. FMAD1034 type N female to 7/16 DIN female adapter operates to 8 GHz. The Fairview Microwave RF adapter provides good VSWR of 1.3:1 maximum and passive intermodulation of -168 dBc maximum.

RF adapters can be used to enable connections between two connector types that would otherwise not mate. Certain RF adapter configurations can also be used to protect connectors on expensive equipment where the number of connect and disconnect cycles is high. An RF, microwave, or millimeter wave adapter is connected to the equipment and the commonly changed connection is made with the adapter which can be easily replaced when it wears out after high usage; such adapters are referred to as connector savers. Fairview Microwave also offers bulkhead, panel mount, hermetically sealed, reverse polarity, and isolated ground adapter varieties to serve all of your RF, microwave and millimeter wave needs.

**Electrical Specifications**

Description	Min	Typ	Max	Units
Frequency Range	DC		8	GHz
VSWR			1.3:1	
Passive Intermodulation			-168	dBc
DWV (AC)			1,000	Vrms
Group Delay			225	ps

**Specifications by Frequency**

Description	F1	F2	F3	F4	F5	Units
Frequency Range	DC to 2	2 to 8				GHz
VSWR, Max	1.1:1	1.3:1				

Electrical Specification Notes:  
 Values at 25°C, sea level.

**Mechanical Specifications**

Size	
Length	1.95 in [49.53 mm]
Width	1.142 in [29.01 mm]
Weight	0.19 lbs [86.18 g]

Description	Connector 1	Connector 2
Type	N Female	7/16 DIN Female
Polarity	Standard	Standard
Interface Specification	MIL-STD-348	IEC 169-4
Mating Cycles	500	500



**Configuration:**

- N Female Connector 1
- 7/16 DIN Female Connector 2
- 50 Ohm
- Low PIM Design
- Straight Body Geometry

**Features:**

- VSWR of 1.3:1 max up to 8 GHz
- PIM levels better than -168 dBc
- Type N interface meets MIL-STD-348
- 7/16 DIN interface meets IEC 169-4
- 200 μin minimum contact plating
- Silver Plated Beryllium Copper Contact

**Applications:**

- Enables Between Series Connections
- General Purpose Test
- Low PIM Applications

Fairview Microwave  
 1130 Junction Dr. #100  
 Allen, TX 75013  
 Tel: 1-800-715-4396 / (972) 649-6678  
 Fax: (972) 649-6689  
[www.fairviewmicrowave.com](http://www.fairviewmicrowave.com)  
[sales@fairviewmicrowave.com](mailto:sales@fairviewmicrowave.com)

**Material Specifications**

Description	Connector 1	Connector 2
Type	N Female	7/16 DIN Female
Contact Material	Beryllium Copper	Beryllium Copper
Contact Plating	Silver	Silver
Contact Plating Spec.	200 µin minimum	200 µin minimum
Insulation Material	PTFE	PTFE
Outer Contact Material	Brass	Brass
Outer Contact Plating	Tri-Metal	Tri-Metal
Outer Contact Plating Spec.	100 µin minimum	100 µin minimum

**Environmental Specifications**

**Temperature**

Operating Range

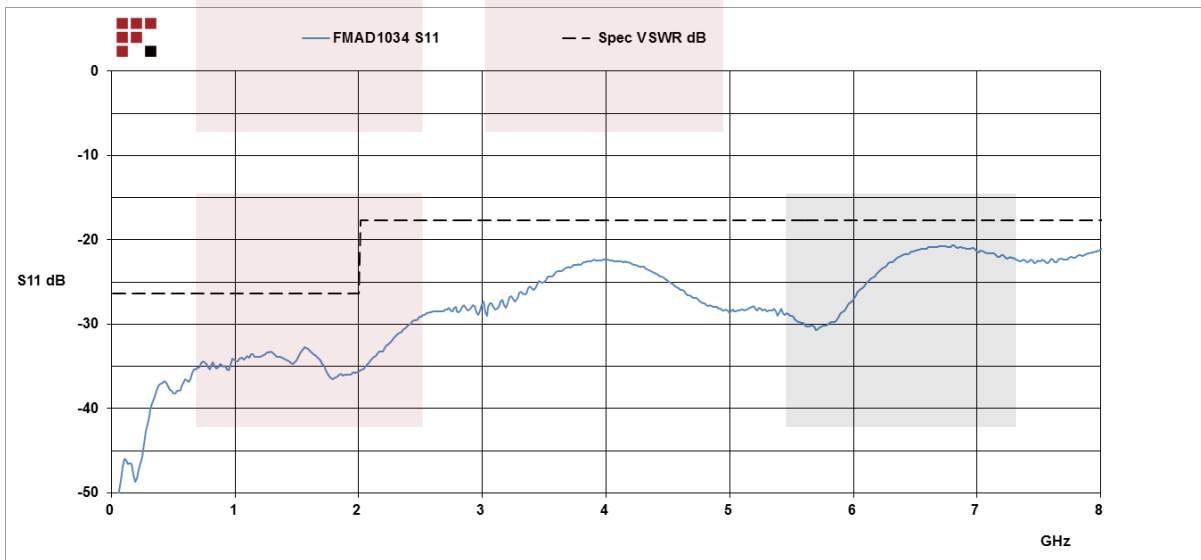
-55 to +155 deg C

**Compliance Certifications** (see [product page](#) for current document)

**Plotted and Other Data**

Notes:

**Typical Performance Data**



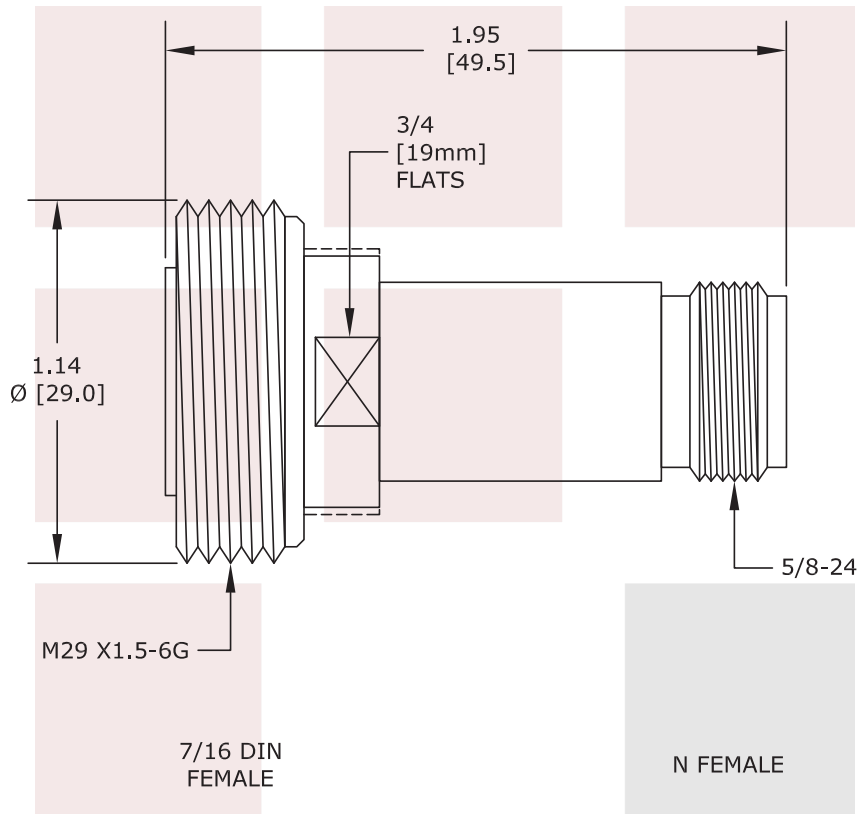
Low PIM N Female to 7/16 DIN Female Adapter Low VSWR from Fairview Microwave is in-stock and available to ship same-day. All of our RF/microwave products are available off-the-shelf from our ISO 9001:2008 certified facilities in Allen, Texas. Fairview Microwave is RF on-demand.

For additional information on this product, please click the following link: [Low PIM N Female to 7/16 DIN Female Adapter Low VSWR FMAD1034](#)

URL: <https://www.fairviewmicrowave.com/low-pim-n-female-7-16-female-adapter-fmad1034-p.aspx>

The information contained in this document is accurate to the best of our knowledge and representative of the part described herein. It may be necessary to make modifications to the part and/or the documentation of the part, in order to implement improvements. Fairview Microwave reserves the right to make such changes as required. Unless otherwise stated, all specifications are nominal. Fairview Microwave does not make any representation or warranty regarding the suitability of the part described herein for any particular purpose, and Fairview Microwave does not assume any liability arising out of the use of any part or documentation.





<b>FAIRVIEW MICROWAVE INC.</b> ALLEN, TX 75013 WWW.FAIRVIEWMICROWAVE.COM		NOTES: 1. UNLESS OTHERWISE SPECIFIED ALL DIMENSIONS ARE NOMINAL. 2. ALL SPECIFICATIONS ARE SUBJECT TO CHANGE WITHOUT NOTICE AT ANY TIME. 3. DIMENSIONS ARE IN INCHES [mm].			
TITLE Low PIM N Female to 7/16 DIN Female Adapter Low VSWR		DWG NO FMAD1034		CAGE CODE 3FKR5	
		CAD FILE 021115	SHEET	SCALE N/A	SIZE A 2233