

## Precision SMA Male to 2.92mm Female Adapter with Passivated Stainless Steel Body

SMA male to 2.92mm female adapter part number FMAD1102 from Fairview Microwave is in-stock and ships same day. This Fairview SMA to 2.92mm adapter has a male to female gender configuration in a precision design. FMAD1102 SMA male to 2.92mm female adapter operates to 26.5 GHz. The Fairview Microwave RF adapter provides excellent VSWR of 1.2:1 maximum. The SMA connector mates mechanically with commercially available 3.5mm and 2.92mm (K) connectors.

RF adapters can be used to enable connections between two connector types that would otherwise not mate. Certain RF adapter configurations can also be used to protect connectors on expensive equipment where the number of connect and disconnect cycles is high. An RF, microwave, or millimeter wave adapter is connected to the equipment and the commonly changed connection is made with the adapter which can be easily replaced when it wears out after high usage; such adapters are referred to as connector savers. Fairview Microwave also offers bulkhead, panel mount, hermetically sealed, reverse polarity, and isolated ground adapter varieties to serve all of your RF, microwave and millimeter wave needs.

### Electrical Specifications

Description	Min	Typ	Max	Units
Frequency Range	DC		26.5	GHz
VSWR			1.2:1	
Insertion Loss			0.25	dB
DWV (AC)			750	Vrms

Electrical Specification Notes:  
Values at 25°C, sea level.

### Mechanical Specifications

Size	
Length	0.756 in [19.2 mm]
Width	0.312 in [7.92 mm]
Weight	0.012 lbs [5.44 g]

Description	Connector 1	Connector 2
Type	SMA Male	2.92mm Female
Polarity	Standard	Standard
Interface Specification	MIL-STD-348	
Hex Size	5/16 in.	
Mating Torque	8 to 10 in-lbs [0.90 to 1.13 Nm]	



### Configuration:

- SMA Male Connector 1
- 2.92mm Female Connector 2
- 50 Ohm
- Precision Design
- Straight Body Geometry

### Features:

- VSWR of 1.2:1 max up to 26.5 GHz
- SMA interface meets MIL-STD-348
- 50 μin minimum contact plating
- Gold over Nickel Plated Beryllium Copper Contact

### Applications:

- Enables Between Series Connections
- General Purpose Test
- Precision Test & Measurement

Fairview Microwave  
301 Leora Ln., Suite 100  
Lewisville, TX 75056  
Tel: 1-800-715-4396 / (972) 649-6678  
Fax: (972) 649-6689  
[www.fairviewmicrowave.com](http://www.fairviewmicrowave.com)  
[sales@fairviewmicrowave.com](mailto:sales@fairviewmicrowave.com)

### Material Specifications

Description	Connector 1	Connector 2
Type	SMA Male	2.92mm Female
Contact Material	Beryllium Copper	Beryllium Copper
Contact Plating	Gold over Nickel	Gold over Nickel
Contact Plating Spec.	50 µin minimum	50 µin minimum
Insulation Material	PTFE	PTFE
Outer Contact Material		Passivated Stainless Steel
Outer Conductor Contact Spec.		SAE-AMS-2700
Body Material	Passivated Stainless Steel	
Body Plating Spec.	SAE-AMS-2700	
Coupling Nut Material	Passivated Stainless Steel	
Coupling Nut Plating Spec.	SAE-AMS-2700	

### Environmental Specifications

#### Temperature

Operating Range -55 to +150 deg C

### Compliance Certifications (see [product page](#) for current document)

### Plotted and Other Data

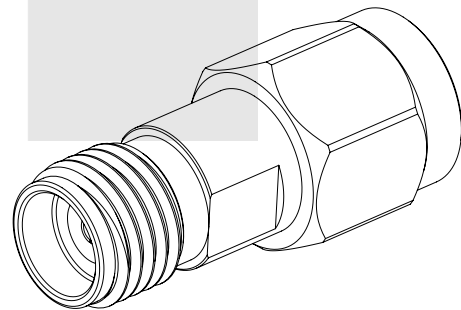
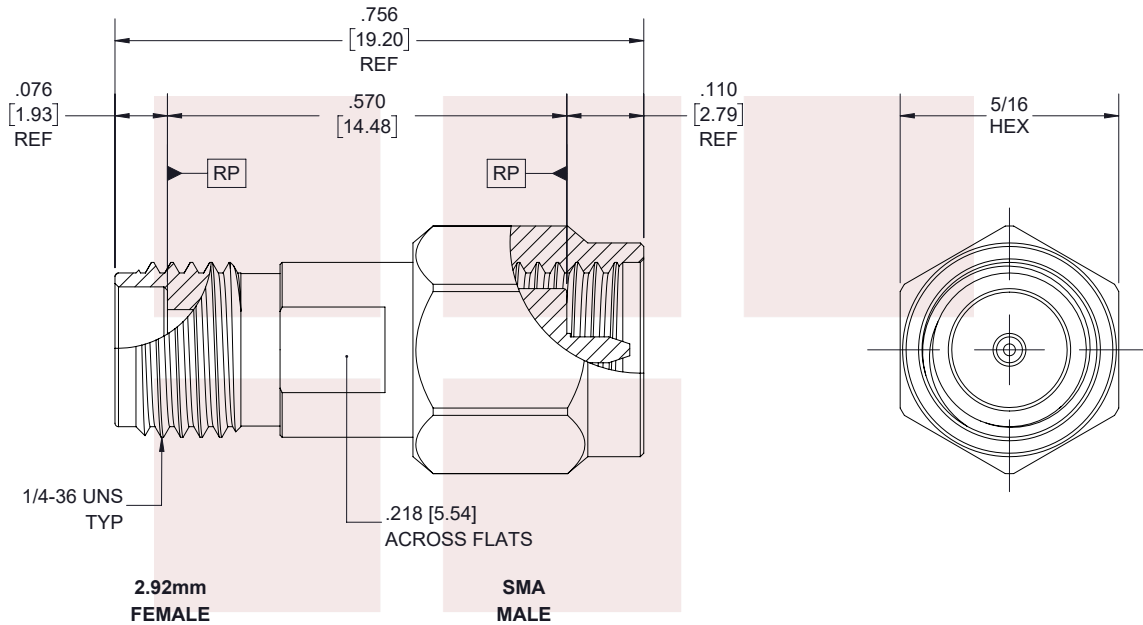
Notes:

Precision SMA Male to 2.92mm Female Adapter with Passivated Stainless Steel Body from Fairview Microwave is in-stock and available to ship same-day. All of our RF/microwave products are available off-the-shelf from our ISO 9001:2008 certified facilities in Allen, Texas. Fairview Microwave is RF on-demand.

For additional information on this product, please click the following link: [Precision SMA Male to 2.92mm Female Adapter with Passivated Stainless Steel Body FMAD1102](#)

URL: <https://www.fairviewmicrowave.com/precision-sma-male-2.92mm-female-adapter-fmad1102-p.aspx>

The information contained in this document is accurate to the best of our knowledge and representative of the part described herein. It may be necessary to make modifications to the part and/or the documentation of the part, in order to implement improvements. Fairview Microwave reserves the right to make such changes as required. Unless otherwise stated, all specifications are nominal. Fairview Microwave does not make any representation or warranty regarding the suitability of the part described herein for any particular purpose, and Fairview Microwave does not assume any liability arising out of the use of any part or documentation.



**STANDARD TOLERANCES**

.X ±0.2  
.XX ±0.01  
.XXX ±0.005

\*STANDARD TOLERANCES APPLY ONLY TO DIMENSIONS IN INCHES

NOTES:  
1. UNLESS OTHERWISE SPECIFIED ALL DIMENSIONS ARE NOMINAL.  
2. ALL SPECIFICATIONS ARE SUBJECT TO CHANGE WITHOUT NOTICE AT ANY TIME.  
3. DIMENSIONS ARE IN INCHES [mm].

TITLE Precision SMA Male to 2.92mm Female Adapter with Passivated Stainless Steel Body	DWG NO <b>FMAD1102</b>		CAGE CODE <b>3FKR5</b>			
	CAD FILE 03/21/19	SHEET 1 OF 1	SCALE N/A	SIZE A	7361	