

7/16 DIN Female to Female Thru Calibration Kit Component for Precision Up to 7.5 GHz

7/16 DIN female to female thru calibration kit component, part number FMAD1132, from Fairview Microwave is in-stock and ships same day. This 7/16 DIN precision thru circuit can be used for calibration of most vector network analyzers (VNA), cable analyzers or site analyzers. Impedance and VSWR specifications for this 7/16 DIN thru calibrating component are provided in the datasheet. Precision control of the impedance and electrical length allow for OSLT analyzer calibrations over the complete frequency range of the connector interface provided.

Fairview's 7/16 DIN thru circuit calibration component FMAD1132 datasheet specifications and outline drawing are shown in this PDF below. Our extensive offering for RF, microwave and millimeter wave components allows designers to configure and customize their test solutions however they like. From calibration kit replacement to SOLT / OSLT VNA calibration, Fairview Microwave has the right calibration kit components to meet your needs and ship them same-day.

Electrical Specifications

Description	Min	Typ	Max	Units
Frequency Range	DC		7.5	GHz
Impedance		50		Ohms
VSWR			1.03:1	
Electrical Delay		166		ps

Electrical Specification Notes:
 Values at 25° sea level.

Mechanical Specifications

Size

Length	1.83 in [46.48 mm]
Width/Diameter	1.05 in [26.67 mm]
Pin Depth	0.0682 to 0.0712 in

Connector 1

Connector Type	7/16 DIN Female
Body Material and Plating	Stainless Steel

Connector 2

Connector Type	7/16 DIN Female
Connector Body Material and Plating	Stainless Steel

Environmental Specifications

Compliance Certifications (see [product page](#) for current document)

Plotted and Other Data

Notes:

- Values at +25 °C, sea level



Features:

- Controlled Impedance
- Replaces Damaged Calibrating Kit Components
- Controlled Electrical Length
- Precision Interfaces
- In Stock and Ready to Ship

Applications:

- SOLT or OSLT Calibration
- VNA Calibration
- Device Characterization
- De-embedding
- Replacement Calibration Kits

Fairview Microwave
 301 Leora Ln., Suite 100
 Lewisville, TX 75056
 Tel: 1-800-715-4396 / (972) 649-6678
 Fax: (972) 649-6689
www.fairviewmicrowave.com
sales@fairviewmicrowave.com

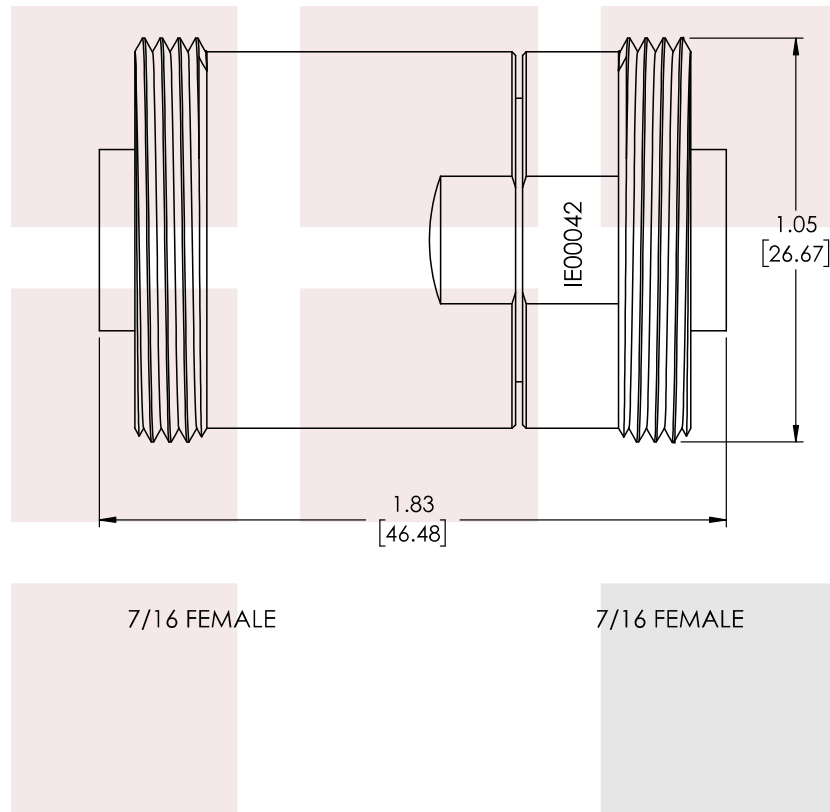
7/16 DIN Female to Female Thru Calibration Kit Component for Precision Up to 7.5 GHz from Fairview Microwave is in-stock and available to ship same-day. All of our RF/microwave products are available off-the-shelf from our ISO 9001:2008 certified facilities in Allen, Texas. Fairview Microwave is RF on-demand.

For additional information on this product, please click the following link: [7/16 DIN Female to Female Thru Calibration Kit Component for Precision Up to 7.5 GHz FMAD1132](#)

URL: <https://www.fairviewmicrowave.com/7-16-din-female-calibration-kit-component-thru-7.5-ghz-fmad1132-p.aspx>

The information contained in this document is accurate to the best of our knowledge and representative of the part described herein. It may be necessary to make modifications to the part and/or the documentation of the part, in order to implement improvements. Fairview Microwave reserves the right to make such changes as required. Unless otherwise stated, all specifications are nominal. Fairview Microwave does not make any representation or warranty regarding the suitability of the part described herein for any particular purpose, and Fairview Microwave does not assume any liability arising out of the use of any part or documentation.





STANDARD TOLERANCES	
.X	±0.2
.XX	±0.01
.XXX	±0.005

*STANDARD TOLERANCES APPLY ONLY TO DIMENSIONS IN INCHES

FAIRVIEW MICROWAVE INC. ALLEN, TX 75013 WWW.FAIRVIEWMICROWAVE.COM		NOTES: 1. UNLESS OTHERWISE SPECIFIED ALL DIMENSIONS ARE NOMINAL. 2. ALL SPECIFICATIONS ARE SUBJECT TO CHANGE WITHOUT NOTICE AT ANY TIME. 3. DIMENSIONS ARE IN INCHES [mm].			
TITLE 7/16 DIN Female to Female Thru Calibration Kit Component for Precision Up to 7.5 GHz	DWG NO FMAD1132		CAGE CODE 3FKR5		
	CAD FILE 11/27/2017	SHEET	SCALE N/A	SIZE A	CN2245