

## RA BNC Male to BNC Male Adapter

RA BNC male to BNC male adapter part number FMAD1150 from Fairview Microwave is in-stock and ships same day. This Fairview BNC to BNC adapter has a male to male gender configuration. FMAD1150 BNC male to BNC male adapter operates to 4 GHz. This right angle BNC adapter allows for easier connections in tight spaces.

RF adapters can be used to enable connections between two connector types that would otherwise not mate. Certain RF adapter configurations can also be used to protect connectors on expensive equipment where the number of connect and disconnect cycles is high. An RF, microwave, or millimeter wave adapter is connected to the equipment and the commonly changed connection is made with the adapter which can be easily replaced when it wears out after high usage; such adapters are referred to as connector savers. Fairview Microwave also offers bulkhead, panel mount, hermetically sealed, reverse polarity, and isolated ground adapter varieties to serve all of your RF, microwave and millimeter wave needs.

### Electrical Specifications

Description	Min	Typ	Max	Units
Frequency Range	DC		4	GHz

Electrical Specification Notes:  
 Values at 25°C, sea level

### Mechanical Specifications

Size	
Length	1.03 in [26.16 mm]
Width	0.57 in [14.48 mm]
Height	1.03 in [26.16 mm]
Weight	0.0485 lbs [22 g]

Description	Connector 1	Connector 2
Type	BNC Male	BNC Male
Polarity	Standard	Standard
Interface Specification	MIL-STD-348	MIL-STD-348

### Material Specifications

Description	Connector 1	Connector 2
Type	BNC Male	BNC Male
Contact Plating	Gold	Gold
Contact Plating Spec.	MIL-G-45204	MIL-G-45204
Insulation Material	PTFE	PTFE
Body Material	Brass	Brass
Body Plating	Nickel	Nickel
Body Plating Spec.	QQ-N-290	QQ-N-290
Coupling Nut Material	Brass	Brass
Coupling Nut Plating	Nickel	Nickel
Coupling Nut Plating Spec.	QQ-N-290	QQ-N-290



### Configuration:

- BNC Male Connector 1
- BNC Male Connector 2
- 50 Ohm
- Right Angle Body Geometry

### Features:

- BNC interface meets MIL-STD-348
- Contact plating according to MIL-G-45204

### Applications:

- General Purpose Test
- General Purpose Test

Fairview Microwave  
 301 Leora Ln., Suite 100  
 Lewisville, TX 75056  
 Tel: 1-800-715-4396 / (972) 649-6678  
 Fax: (972) 649-6689  
[www.fairviewmicrowave.com](http://www.fairviewmicrowave.com)  
[sales@fairviewmicrowave.com](mailto:sales@fairviewmicrowave.com)

**Environmental Specifications**

**Temperature**

Operating Range -65 to +165 deg C

**Compliance Certifications** (see [product page](#) for current document)

**Plotted and Other Data**

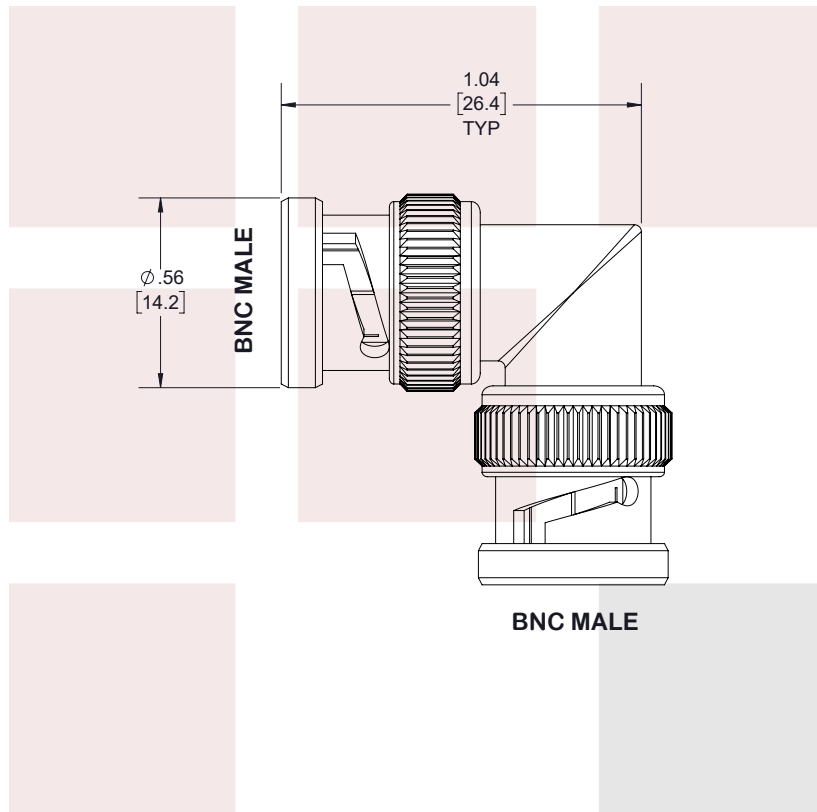
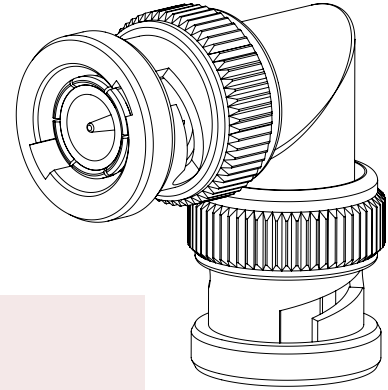
Notes:

RA BNC Male to BNC Male Adapter from Fairview Microwave is in-stock and available to ship same-day. All of our RF/microwave products are available off-the-shelf from our ISO 9001:2008 certified facilities in Allen, Texas. Fairview Microwave is RF on-demand.

For additional information on this product, please click the following link: [RA BNC Male to BNC Male Adapter FMAD1150](#)

URL: <https://www.fairviewmicrowave.com/ra-bnc-male-bnc-male-adapter-fmad1150-p.aspx>

The information contained in this document is accurate to the best of our knowledge and representative of the part described herein. It may be necessary to make modifications to the part and/or the documentation of the part, in order to implement improvements. Fairview Microwave reserves the right to make such changes as required. Unless otherwise stated, all specifications are nominal. Fairview Microwave does not make any representation or warranty regarding the suitability of the part described herein for any particular purpose, and Fairview Microwave does not assume any liability arising out of the use of any part or documentation.



STANDARD TOLERANCES	
.X	±0.2
.XX	±0.01
.XXX	±0.005

\*STANDARD TOLERANCES APPLY ONLY TO DIMENSIONS IN INCHES

<b>FAIRVIEW MICROWAVE INC.</b> ALLEN, TX 75013 WWW.FAIRVIEWMICROWAVE.COM		NOTES: 1. UNLESS OTHERWISE SPECIFIED ALL DIMENSIONS ARE NOMINAL. 2. ALL SPECIFICATIONS ARE SUBJECT TO CHANGE WITHOUT NOTICE AT ANY TIME. 3. DIMENSIONS ARE IN INCHES [mm].				
TITLE RA BNC Male to BNC Male Adapter		DWG NO FMAD1150		CAGE CODE 3FKR5		
CAD FILE	122017	SHEET	1 OF 1	SCALE	N/A	SIZE A 7361