

RA N Male to N Male Adapter

RA type N male to type N male adapter part number FMAD1158 from Fairview Microwave is in-stock and ships same day. This Fairview type N to type N adapter has a male to male gender configuration. FMAD1158 type N male to type N male adapter operates to 11 GHz. The Fairview Microwave RF adapter provides good VSWR of 1.5:1 maximum. This right angle type N adapter allows for easier connections in tight spaces.

RF adapters can be used to enable connections between two connector types that would otherwise not mate. Certain RF adapter configurations can also be used to protect connectors on expensive equipment where the number of connect and disconnect cycles is high. An RF, microwave, or millimeter wave adapter is connected to the equipment and the commonly changed connection is made with the adapter which can be easily replaced when it wears out after high usage; such adapters are referred to as connector savers. Fairview Microwave also offers bulkhead, panel mount, hermetically sealed, reverse polarity, and isolated ground adapter varieties to serve all of your RF, microwave and millimeter wave needs.

Electrical Specifications

Description	Min	Typ	Max	Units
Frequency Range	DC		11	GHz
VSWR			1.5:1	
Operating Voltage (AC)			1,000	Vrms
DWV (AC)			2,500	Vrms

Mechanical Specifications

Size		
Length		1.5 in [38.7 mm]
Width		0.827 in [21.01 mm]
Height		1.524 in [38.71 mm]
Weight		0.1721 lbs [78.06 g]

Description	Connector 1	Connector 2
Type	N Male	N Male
Polarity	Standard	Standard
Interface Specification	MIL-STD-348A	MIL-STD-348A



Configuration:

- N Male Connector 1
- N Male Connector 2
- 50 Ohm
- Right Angle Body Geometry

Features:

- VSWR of 1.5:1 max up to 11 GHz
- Type N interface meets MIL-STD-348A
- 30 μ-in minimum contact plating
- Gold Plated Brass Contact

Applications:

- General Purpose Test

Fairview Microwave
 301 Leora Ln., Suite 100
 Lewisville, TX 75056
 Tel: 1-800-715-4396 / (972) 649-6678
 Fax: (972) 649-6689
www.fairviewmicrowave.com
sales@fairviewmicrowave.com

Material Specifications

Description	Connector 1	Connector 2
Type	N Male	N Male
Contact Material	Brass	Brass
Contact Plating	Gold	Gold
Contact Plating Spec.	30 μ -in minimum	30 μ -in minimum
Insulation Material	PTFE	PTFE
Body Material	Brass	Brass
Body Plating	Nickel	Nickel
Body Plating Spec.	100 μ -in minimum	100 μ -in minimum
Gasket Material	Silicone	Silicone
Coupling Nut Material	Brass	Brass
Coupling Nut Plating	Nickel	Nickel
Coupling Nut Plating Spec.	100 μ -in minimum	100 μ -in minimum

Environmental Specifications

Temperature

Operating Range -65 to +165 deg C

Compliance Certifications (see [product page](#) for current document)

Plotted and Other Data

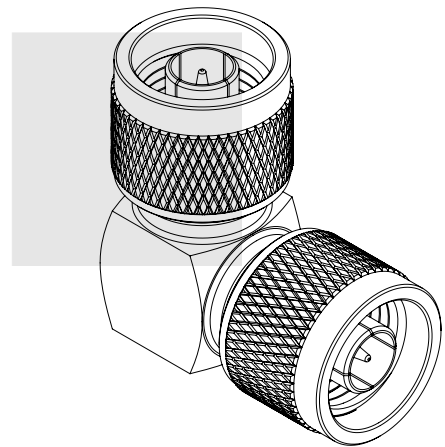
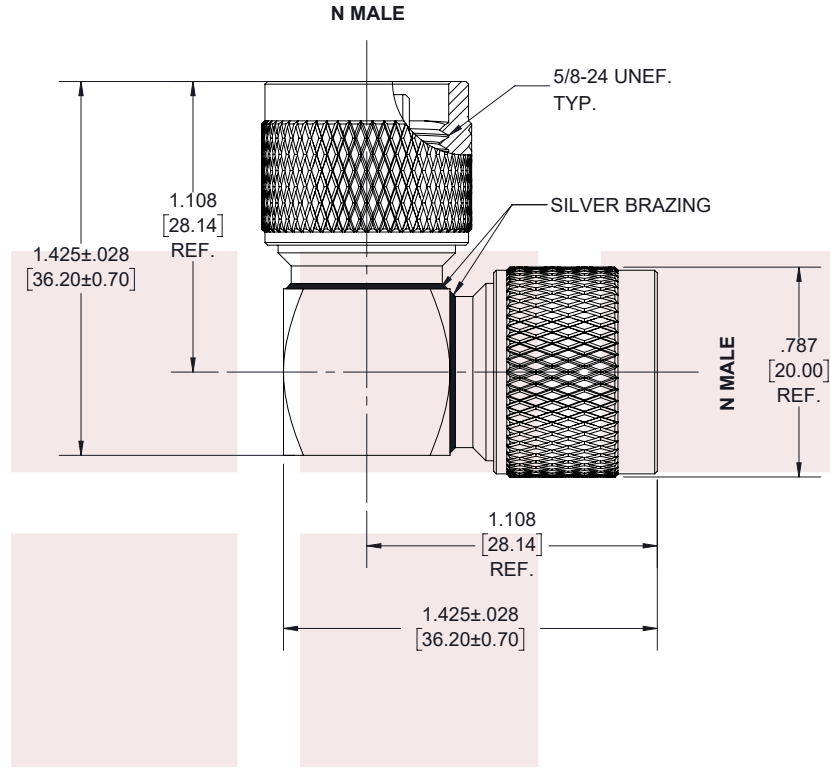
Notes:

RA N Male to N Male Adapter from Fairview Microwave is in-stock and available to ship same-day. All of our RF/microwave products are available off-the-shelf from our ISO 9001:2008 certified facilities in Allen, Texas. Fairview Microwave is RF on-demand.

For additional information on this product, please click the following link: [RA N Male to N Male Adapter FMAD1158](#)

URL: <https://www.fairviewmicrowave.com/ra-n-male-n-male-adapter-fmad1158-p.aspx>

The information contained in this document is accurate to the best of our knowledge and representative of the part described herein. It may be necessary to make modifications to the part and/or the documentation of the part, in order to implement improvements. Fairview Microwave reserves the right to make such changes as required. Unless otherwise stated, all specifications are nominal. Fairview Microwave does not make any representation or warranty regarding the suitability of the part described herein for any particular purpose, and Fairview Microwave does not assume any liability arising out of the use of any part or documentation.



STANDARD TOLERANCES	
.X	±0.2
.XX	±0.01
.XXX	±0.005

*STANDARD TOLERANCES APPLY ONLY TO DIMENSIONS IN INCHES

<p>Fairview Microwave RF COMPONENTS ON DEMAND. <i>Done!</i></p>	NOTES: 1. UNLESS OTHERWISE SPECIFIED ALL DIMENSIONS ARE NOMINAL. 2. ALL SPECIFICATIONS ARE SUBJECT TO CHANGE WITHOUT NOTICE AT ANY TIME. 3. DIMENSIONS ARE IN INCHES [mm].			
	TITLE RA N Male to N Male Adapter	DWG NO FMAD1158	CAGE CODE 3FKR5	
CAD FILE 01/09/19	SHEET 1 OF 1	SCALE N/A	SIZE A	7361