

1.0mm Female to 1.0mm Female Adapter with Passivated Stainless Steel Body

1.0mm female to 1.0mm female adapter part number FMAD1163 from Fairview Microwave is in-stock and ships same day. This Fairview 1.0mm to 1.0mm adapter has a female to female gender configuration and is built of durable stainless steel. FMAD1163 1.0mm female to 1.0mm female adapter operates to 110 GHz. The Fairview Microwave RF adapter provides good VSWR of 1.28:1 maximum.

RF adapters can be used to enable connections between two connector types that would otherwise not mate. Certain RF adapter configurations can also be used to protect connectors on expensive equipment where the number of connect and disconnect cycles is high. An RF, microwave, or millimeter wave adapter is connected to the equipment and the commonly changed connection is made with the adapter which can be easily replaced when it wears out after high usage; such adapters are referred to as connector savers. Fairview Microwave also offers bulkhead, panel mount, hermetically sealed, reverse polarity, and isolated ground adapter varieties to serve all of your RF, microwave and millimeter wave needs.

Electrical Specifications

Description	Min	Typ	Max	Units
Frequency Range	DC		110	GHz
VSWR			1.28:1	
DWV (AC)			650	Vrms
Inner Conductor DC Resistance			4	mOhms
Outer Conductor DC Resistance			2	mOhms
Insulation Resistance	5,000			MOhms
RF Leakage			-120	dB

Electrical Specification Notes:
 Values at 25°C, sea level.

Mechanical Specifications

Description	Connector 1	Connector 2
Type	1.0mm Female	1.0mm Female
Polarity	Standard	Standard

Material Specifications

Description	Connector 1	Connector 2
Type	1.0mm Female	1.0mm Female
Contact Material	Beryllium Copper	Beryllium Copper
Contact Plating	Gold	Gold
Contact Plating Spec.	MIL-DTL-45204	MIL-DTL-45204
Insulation Material	PEI	PEI
Outer Contact Material	Passivated Stainless Steel	Passivated Stainless Steel
Body Material	Passivated Stainless Steel	Passivated Stainless Steel



Configuration:

- 1.0mm Female Connector 1
- 1.0mm Female Connector 2
- 50 Ohm
- Straight Body Geometry

Features:

- VSWR of 1.28:1 max up to 110 GHz
- Contact plating according to MIL-DTL-45204
- Gold Plated Beryllium Copper Contact

Applications:

- General Purpose Test
- 110 GHz Calibrations
- Metrology
- 1.0 mm Calibration Adapters
- 1.0 mm SOLT Calibration

Fairview Microwave
 301 Leora Ln., Suite 100
 Lewisville, TX 75056
 Tel: 1-800-715-4396 / (972) 649-6678
 Fax: (972) 649-6689
www.fairviewmicrowave.com
sales@fairviewmicrowave.com

Environmental Specifications

Temperature

Operating Range

-55 to +165 deg C

Shock

Per MIL-STD-202, Method 213, Test Condition I

Vibration

Per MIL-STD-202, Method 204, Test Condition D

Salt Spray

Per MIL-STD-202, Method 101, Test Condition B Solution = 5%

Compliance Certifications (see [product page](#) for current document)

Plotted and Other Data

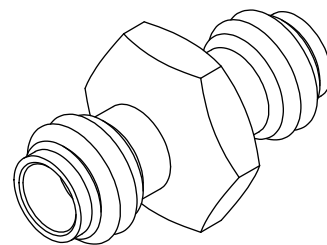
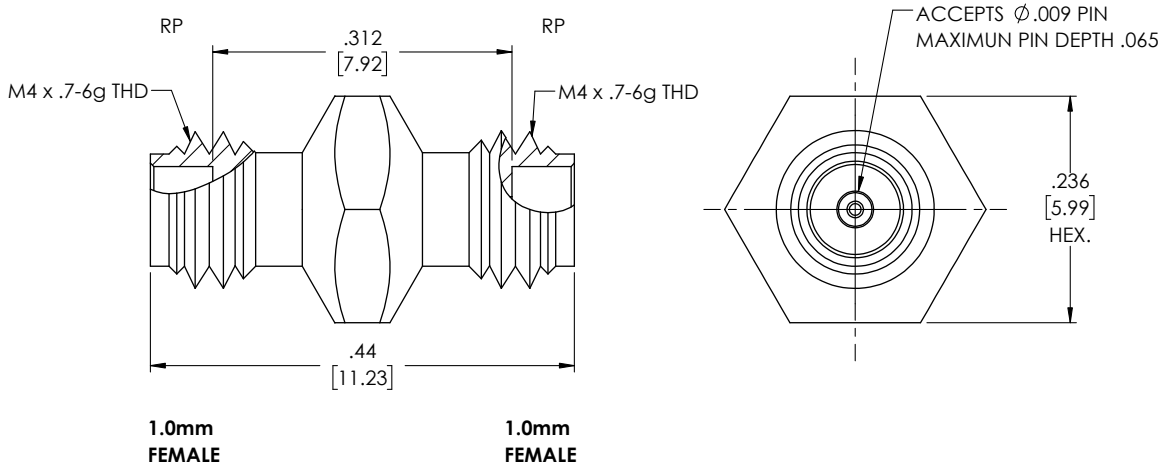
Notes:

1.0mm Female to 1.0mm Female Adapter with Passivated Stainless Steel Body from Fairview Microwave is in-stock and available to ship same-day. All of our RF/microwave products are available off-the-shelf from our ISO 9001:2008 certified facilities in Allen, Texas. Fairview Microwave is RF on-demand.

For additional information on this product, please click the following link: [1.0mm Female to 1.0mm Female Adapter with Passivated Stainless Steel Body FMAD1163](#)

URL: <https://www.fairviewmicrowave.com/1.0mm-female-1.0mm-female-adapter-fmad1163-p.aspx>

The information contained in this document is accurate to the best of our knowledge and representative of the part described herein. It may be necessary to make modifications to the part and/or the documentation of the part, in order to implement improvements. Fairview Microwave reserves the right to make such changes as required. Unless otherwise stated, all specifications are nominal. Fairview Microwave does not make any representation or warranty regarding the suitability of the part described herein for any particular purpose, and Fairview Microwave does not assume any liability arising out of the use of any part or documentation.



STANDARD TOLERANCES	
.X	±0.2
.XX	±0.01
.XXX	±0.005

*STANDARD TOLERANCES APPLY ONLY TO DIMENSIONS IN INCHES

<p>Fairview Microwave RF COMPONENTS ON DEMAND. <i>Done!</i></p>		NOTES: 1. UNLESS OTHERWISE SPECIFIED ALL DIMENSIONS ARE NOMINAL. 2. ALL SPECIFICATIONS ARE SUBJECT TO CHANGE WITHOUT NOTICE AT ANY TIME. 3. DIMENSIONS ARE IN INCHES [mm].		
TITLE 1.0mm Female to 1.0mm Female Adapter with Passivated Stainless Steel Body		DWG NO FMAD1163		CAGE CODE 3FKR5
CAD FILE	11/15/18	SHEET	1 OF 1	SCALE N/A
		SIZE	A	CN2245