

## Low PIM QD 4.3-10 Female to N Male Adapter

QD 4.3-10 female to type N male adapter part number FMAD1181 from Fairview Microwave is in-stock and ships same day. This Fairview 4.3-10 to type N adapter has a female to male gender configuration in a low PIM design. FMAD1181 4.3-10 female to type N male adapter operates to 6 GHz. The Fairview Microwave RF adapter provides excellent VSWR of 1.25: 1 maximum and passive intermodulation of -160 dBc maximum.

RF adapters can be used to enable connections between two connector types that would otherwise not mate. Certain RF adapter configurations can also be used to protect connectors on expensive equipment where the number of connect and disconnect cycles is high. An RF, microwave, or millimeter wave adapter is connected to the equipment and the commonly changed connection is made with the adapter which can be easily replaced when it wears out after high usage; such adapters are referred to as connector savers. Fairview Microwave also offers bulkhead, panel mount, hermetically sealed, reverse polarity, and isolated ground adapter varieties to serve all of your RF, microwave and millimeter wave needs.

### Electrical Specifications

Description	Min	Typ	Max	Units
Frequency Range	DC		6	GHz
VSWR			1.25: 1	
Passive Intermodulation			-160	dBc

Electrical Specification Notes:  
Values at 25° C, sea level.

### Mechanical Specifications

Description	Connector 1	Connector 2
Type	4.3-10 Female	N Male
Connection Method	QD	
Polarity	Standard	Standard
Mating Cycles	500	500

### Material Specifications

Description	Connector 1	Connector 2
Type	4.3-10 Female	N Male
Contact Material	Beryllium Copper	Beryllium Copper
Contact Plating	Silver	Silver
Insulation Material	PTFE	PTFE
Outer Contact Material	Brass	
Outer Contact Plating	Tri-Metal	
Body Material	Brass	Brass
Body Plating	Tri-Metal	Tri-Metal
Gasket Material		Silicone Rubber
Coupling Nut Material		Brass
Coupling Nut Plating		Tri-Metal



### Configuration:

- QD 4.3-10 Female Connector 1
- N Male Connector 2
- 50 Ohm
- Low PIM Design
- Straight Body Geometry

### Features:

- VSWR of 1.25: 1 max up to 6 GHz
- PIM levels better than -160 dBc
- Silver Plated Beryllium Copper Contact
- Quick Disconnect (QD) on the 4.3-10 Interface

### Applications:

- Enables Between Series Connections
- General Purpose Test
- Low PIM Applications
- Mobile Communications Systems
- Base Stations
- Distributed Antenna Systems (DAS)
- Small Cells
- Feeder Cables

Fairview Microwave  
301 Leora Ln., Suite 100  
Lewisville, TX 75056  
Tel: 1-800-715-4396 / (972) 649-6678  
Fax: (972) 649-6689  
[www.fairviewmicrowave.com](http://www.fairviewmicrowave.com)  
[sales@fairviewmicrowave.com](mailto:sales@fairviewmicrowave.com)

## Environmental Specifications

### Temperature

Operating Range -40 to +155 deg C

**Compliance Certifications** (see [product page](#) for current document)

## Plotted and Other Data

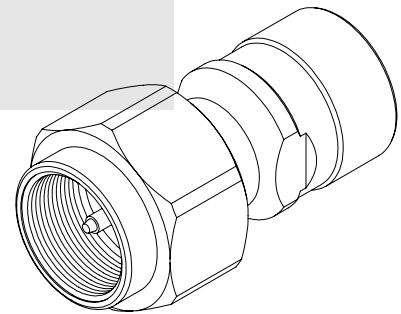
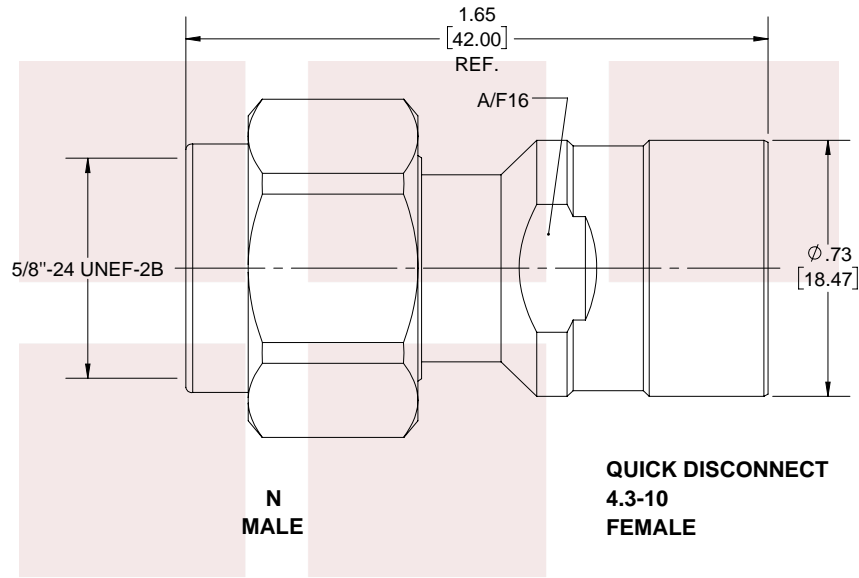
Notes:

Low PIM QD 4.3-10 Female to N Male Adapter from Fairview Microwave is in-stock and available to ship same-day. All of our RF/microwave products are available off-the-shelf from our ISO 9001:2008 certified facilities in Allen, Texas. Fairview Microwave is RF on-demand.

For additional information on this product, please click the following link: [Low PIM QD 4.3-10 Female to N Male Adapter FMAD1181](#)

URL: <https://www.fairviewmicrowave.com/low-pim-qd-4.3-10-female-n-male-adapter-fmad1181-p.aspx>

The information contained in this document is accurate to the best of our knowledge and representative of the part described herein. It may be necessary to make modifications to the part and/or the documentation of the part, in order to implement improvements. Fairview Microwave reserves the right to make such changes as required. Unless otherwise stated, all specifications are nominal. Fairview Microwave does not make any representation or warranty regarding the suitability of the part described herein for any particular purpose, and Fairview Microwave does not assume any liability arising out of the use of any part or documentation.



STANDARD TOLERANCES	
.X	±0.2
.XX	±0.01
.XXX	±0.005

\*STANDARD TOLERANCES APPLY ONLY TO DIMENSIONS IN INCHES

<p><b>Fairview Microwave</b> RF COMPONENTS ON DEMAND. <i>Done!</i></p>		NOTES: 1. UNLESS OTHERWISE SPECIFIED ALL DIMENSIONS ARE NOMINAL. 2. ALL SPECIFICATIONS ARE SUBJECT TO CHANGE WITHOUT NOTICE AT ANY TIME. 3. DIMENSIONS ARE IN INCHES [mm].		
TITLE Low PIM QD 4.3-10 Female to N Male Adapter		DWG NO FMAD1181		CAGE CODE 3FKR5
CAD FILE	12/07/18	SHEET	1 OF 1	SCALE N/A
		SIZE	A	CN2245