

## SMA Female to 2.92mm Male Adapter with Passivated Stainless Steel Body

SMA female to 2.92mm male adapter part number FMAD1187 from Fairview Microwave is in-stock and ships same day. This Fairview SMA to 2.92mm adapter has a female to male gender configuration and is built of durable stainless steel. FMAD1187 SMA female to 2.92mm male adapter operates to 27 GHz. The Fairview Microwave RF adapter provides good VSWR of 1.35:1 maximum. The SMA connector mates mechanically with commercially available 3.5mm and 2.92mm (K) connectors.

RF adapters can be used to enable connections between two connector types that would otherwise not mate. Certain RF adapter configurations can also be used to protect connectors on expensive equipment where the number of connect and disconnect cycles is high. An RF, microwave, or millimeter wave adapter is connected to the equipment and the commonly changed connection is made with the adapter which can be easily replaced when it wears out after high usage; such adapters are referred to as connector savers. Fairview Microwave also offers bulkhead, panel mount, hermetically sealed, reverse polarity, and isolated ground adapter varieties to serve all of your RF, microwave and millimeter wave needs.

### Electrical Specifications

Description	Min	Typ	Max	Units
Frequency Range	DC		27	GHz
VSWR			1.35:1	

Electrical Specification Notes:  
 Values at 25°C, sea level.

### Mechanical Specifications

<b>Size</b>	
Length	0.7 in [18.2 mm]
Weight	0.0106 lbs [4.81 g]

Description	Connector 1	Connector 2
Type	SMA Female	2.92mm Male
Polarity	Standard	Standard
Mating Cycles	500	500
Mating Torque	8 to 10 in-lbs [0.90 to 1.13 Nm]	



### Configuration:

- SMA Female Connector 1
- 2.92mm Male Connector 2
- 50 Ohm
- Straight Body Geometry

### Features:

- VSWR of 1.35:1 max up to 27 GHz
- Contact plating according to MIL-G-45204
- Gold over Nickel Plated Beryllium Copper Contact

### Applications:

- Enables Between Series Connections
- General Purpose Test

Fairview Microwave  
 301 Leora Ln., Suite 100  
 Lewisville, TX 75056  
 Tel: 1-800-715-4396 / (972) 649-6678  
 Fax: (972) 649-6689  
[www.fairviewmicrowave.com](http://www.fairviewmicrowave.com)  
[sales@fairviewmicrowave.com](mailto:sales@fairviewmicrowave.com)

**Material Specifications**

Description	Connector 1	Connector 2
Type	SMA Female	2.92mm Male
Contact Material	Beryllium Copper	Beryllium Copper
Contact Plating	Gold over Nickel	Gold over Nickel
Contact Plating Spec.	MIL-G-45204	MIL-G-45204
Insulation Material	PTFE	PTFE
Outer Contact Material	Passivated Stainless Steel	
Outer Contact Plating Spec.	ASTM A380	
Body Material	Passivated Stainless Steel	Passivated Stainless Steel
Body Plating Spec.	ASTM A380	ASTM A380
Coupling Nut Material		Passivated Stainless Steel
Coupling Nut Plating Spec.		ASTM A380

**Environmental Specifications**
**Temperature**

Operating Range -55 to +100 deg C

**Compliance Certifications** (see [product page](#) for current document)

**Plotted and Other Data**

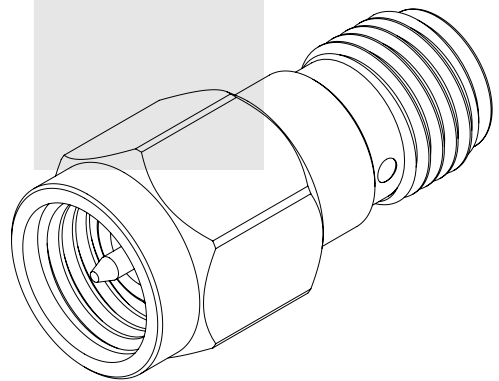
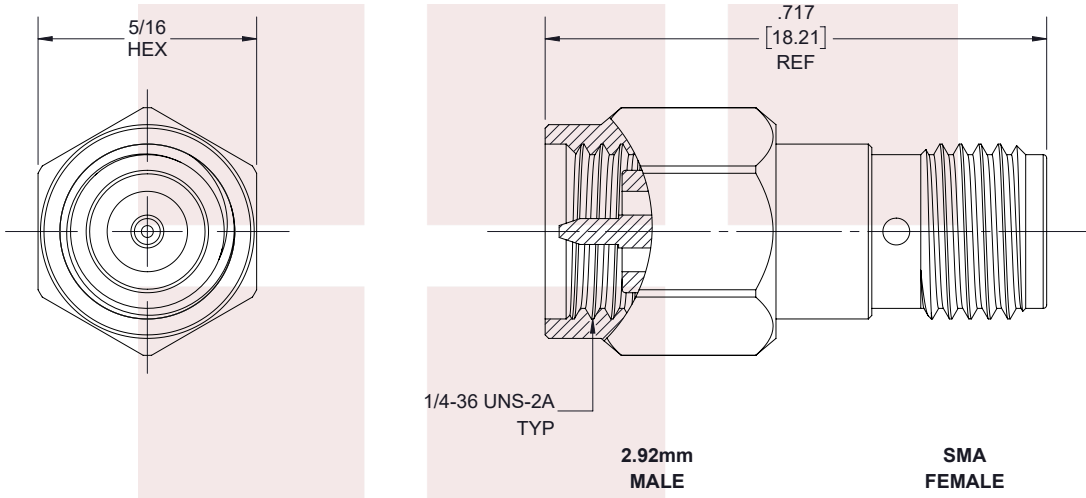
Notes:

SMA Female to 2.92mm Male Adapter with Passivated Stainless Steel Body from Fairview Microwave is in-stock and available to ship same-day. All of our RF/microwave products are available off-the-shelf from our ISO 9001:2008 certified facilities in Lewisville, Texas. Fairview Microwave is RF on-demand.

For additional information on this product, please click the following link: [SMA Female to 2.92mm Male Adapter with Passivated Stainless Steel Body FMAD1187](#)

URL: <https://www.fairviewmicrowave.com/sma-female-2.92mm-male-adapter-fmad1187-p.aspx>

The information contained in this document is accurate to the best of our knowledge and representative of the part described herein. It may be necessary to make modifications to the part and/or the documentation of the part, in order to implement improvements. Fairview Microwave reserves the right to make such changes as required. Unless otherwise stated, all specifications are nominal. Fairview Microwave does not make any representation or warranty regarding the suitability of the part described herein for any particular purpose, and Fairview Microwave does not assume any liability arising out of the use of any part or documentation.



STANDARD TOLERANCES	
.X	±0.2
.XX	±0.01
.XXX	±0.005

\*STANDARD TOLERANCES APPLY ONLY TO DIMENSIONS IN INCHES

<p><b>Fairview Microwave</b> an INFINIT<sup>®</sup> brand</p>		<p>NOTES: 1. UNLESS OTHERWISE SPECIFIED ALL DIMENSIONS ARE NOMINAL. 2. ALL SPECIFICATIONS ARE SUBJECT TO CHANGE WITHOUT NOTICE AT ANY TIME. 3. DIMENSIONS ARE IN INCHES [mm].</p>						
<p>TITLE SMA Female to 2.92mm Male Adapter with Passivated Stainless Steel Body</p>		<p>DWG NO <b>FMAD1187</b></p>		<p>CAGE CODE <b>3FKR5</b></p>				
CAD FILE	05/22/19	SHEET	1 OF 1	SCALE	N/A	SIZE	A	7361