

UHF Male to UHF Male Adapter

UHF male to UHF male adapter part number FMAD1190 from Fairview Microwave is in-stock and ships same day. This Fairview UHF to UHF adapter has a male to male gender configuration. FMAD1190 UHF male to UHF male adapter operates to 300 MHz. The Fairview Microwave RF adapter provides good VSWR of 1.3:1 maximum.

RF adapters can be used to enable connections between two connector types that would otherwise not mate. Certain RF adapter configurations can also be used to protect connectors on expensive equipment where the number of connect and disconnect cycles is high. An RF, microwave, or millimeter wave adapter is connected to the equipment and the commonly changed connection is made with the adapter which can be easily replaced when it wears out after high usage; such adapters are referred to as connector savers. Fairview Microwave also offers bulkhead, panel mount, hermetically sealed, reverse polarity, and isolated ground adapter varieties to serve all of your RF, microwave and millimeter wave needs.

Electrical Specifications

Description	Min	Typ	Max	Units
Frequency Range	DC		300	MHz
VSWR			1.3:1	
Operating Voltage (AC)			500	Vrms
DWV (AC)			1,500	Vrms
Inner Conductor DC Resistance			3	mOhms
Outer Conductor DC Resistance			2	mOhms
Insulation Resistance	5,000			MOhms

Mechanical Specifications

Size	
Length	1.22 in [30.99 mm]
Width	0.71 in [18.03 mm]
Height	0.71 in [18.03 mm]

Description	Connector 1	Connector 2
Type	UHF Male	UHF Male
Polarity	Standard	Standard
Mating Cycles	500	500



Configuration:

- UHF Male Connector 1
- UHF Male Connector 2
- 50 Ohm
- Straight Body Geometry

Features:

- VSWR of 1.3:1 max up to 300 MHz
- Nickel Plated Brass Contact

Applications:

- General Purpose Test

Fairview Microwave
301 Leora Ln., Suite 100
Lewisville, TX 75056
Tel: 1-800-715-4396 / (972) 649-6678
Fax: (972) 649-6689
www.fairviewmicrowave.com
sales@fairviewmicrowave.com

Material Specifications

Description	Connector 1	Connector 2
Type	UHF Male	UHF Male
Contact Material	Brass	Brass
Contact Plating	Nickel	Nickel
Insulation Material	POM	POM
Body Material	Brass	Brass
Body Plating	Nickel	Nickel
Coupling Nut Material	Brass	Brass
Coupling Nut Plating	Nickel	Nickel

Environmental Specifications

Temperature

Operating Range

Vibration

Salt Spray

-40 to +60 deg C

MIL-STD-202. Method 204, Condition D

MIL-STD-202. Method 101, Condition B

Compliance Certifications (see [product page](#) for current document)

Plotted and Other Data

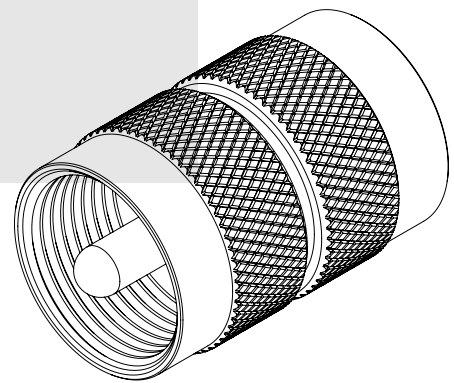
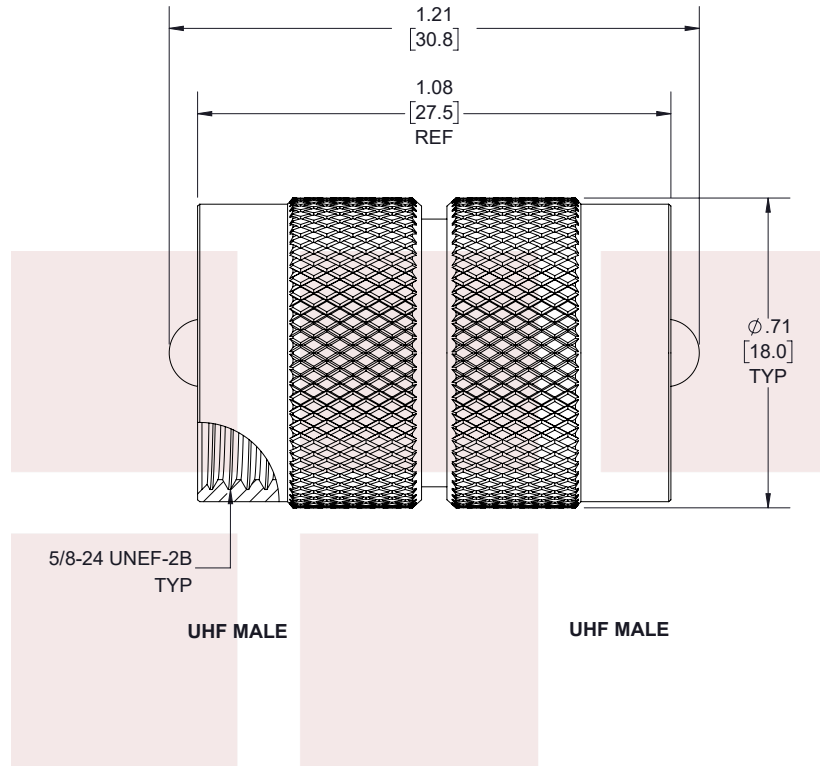
Notes:

UHF Male to UHF Male Adapter from Fairview Microwave is in-stock and available to ship same-day. All of our RF/microwave products are available off-the-shelf from our ISO 9001:2008 certified facilities in Allen, Texas. Fairview Microwave is RF on-demand.

For additional information on this product, please click the following link: [UHF Male to UHF Male Adapter FMAD1190](#)


URL: <https://www.fairviewmicrowave.com/uhf-male-uhf-male-adapter-fmad1190-p.aspx>

The information contained in this document is accurate to the best of our knowledge and representative of the part described herein. It may be necessary to make modifications to the part and/or the documentation of the part, in order to implement improvements. Fairview Microwave reserves the right to make such changes as required. Unless otherwise stated, all specifications are nominal. Fairview Microwave does not make any representation or warranty regarding the suitability of the part described herein for any particular purpose, and Fairview Microwave does not assume any liability arising out of the use of any part or documentation.



STANDARD TOLERANCES	
.X	±0.2
.XX	±0.01
.XXX	±0.005

*STANDARD TOLERANCES APPLY ONLY TO DIMENSIONS IN INCHES

	NOTES: 1. UNLESS OTHERWISE SPECIFIED ALL DIMENSIONS ARE NOMINAL. 2. ALL SPECIFICATIONS ARE SUBJECT TO CHANGE WITHOUT NOTICE AT ANY TIME. 3. DIMENSIONS ARE IN INCHES [mm].							
	TITLE UHF Male to UHF Male Adapter			DWG NO FMAD1190		CAGE CODE 3FKR5		
	CAD FILE	04/05/19	SHEET	1 OF 1	SCALE	N/A	SIZE	A