

## Radius RA SMA Male to SMA Male Adapter with Passivated Stainless Steel Body

Radius RA SMA male to SMA male adapter part number FMAD1196 from Fairview Microwave is in-stock and ships same day. This Fairview SMA to SMA adapter has a male to male gender configuration and is built of durable stainless steel. FMAD1196 SMA male to SMA male adapter operates to 26 GHz. The Fairview Microwave RF adapter provides good VSWR of 1.35:1 maximum. The SMA connector mates mechanically with commercially available 3.5mm and 2.92mm (K) connectors. This radius right angle SMA adapter allows for easier connections in tight spaces.

RF adapters can be used to enable connections between two connector types that would otherwise not mate. Certain RF adapter configurations can also be used to protect connectors on expensive equipment where the number of connect and disconnect cycles is high. An RF, microwave, or millimeter wave adapter is connected to the equipment and the commonly changed connection is made with the adapter which can be easily replaced when it wears out after high usage; such adapters are referred to as connector savers. Fairview Microwave also offers bulkhead, panel mount, hermetically sealed, reverse polarity, and isolated ground adapter varieties to serve all of your RF, microwave and millimeter wave needs.

### Electrical Specifications

Description	Min	Typ	Max	Units
Frequency Range	DC		26	GHz
VSWR			1.35:1	

### Specifications by Frequency

Description	F1	F2	F3	F4	F5	Units
Frequency Range	DC to 18	18 to 26				GHz
VSWR, Max	1.25:1	1.35:1				

Electrical Specification Notes:  
 Values at 25°C, sea level.

### Mechanical Specifications

Size	
Length	0.555 in [14.1 mm]
Width	0.315 in [8 mm]
Height	0.555 in [14.1 mm]

Description	Connector 1	Connector 2
Type	SMA Male	SMA Male
Polarity	Standard	Standard
Interface Specification	MIL-STD 348	MIL-STD 348



### Configuration:

- SMA Male Connector 1
- SMA Male Connector 2
- 50 Ohm
- Radius Right Angle Body Geometry

### Features:

- VSWR of 1.35:1 max up to 26 GHz
- SMA interface meets MIL-STD 348
- 30 μin contact plating
- Gold Plated Beryllium Copper Contact

### Applications:

- General Purpose Test

Fairview Microwave  
 301 Leora Ln., Suite 100  
 Lewisville, TX 75056  
 Tel: 1-800-715-4396 / (972) 649-6678  
 Fax: (972) 649-6689  
[www.fairviewmicrowave.com](http://www.fairviewmicrowave.com)  
[sales@fairviewmicrowave.com](mailto:sales@fairviewmicrowave.com)

**Material Specifications**

Description	Connector 1	Connector 2
Type	SMA Male	SMA Male
Contact Material	Beryllium Copper	Beryllium Copper
Contact Plating	Gold	Gold
Contact Plating Spec.	30 µin	30 µin
Insulation Material	PTFE	PTFE
Body Material	Passivated Stainless Steel	Passivated Stainless Steel
Coupling Nut Material	Passivated Stainless Steel	Passivated Stainless Steel

**Compliance Certifications** (see [product page](#) for current document)

**Plotted and Other Data**

Notes:

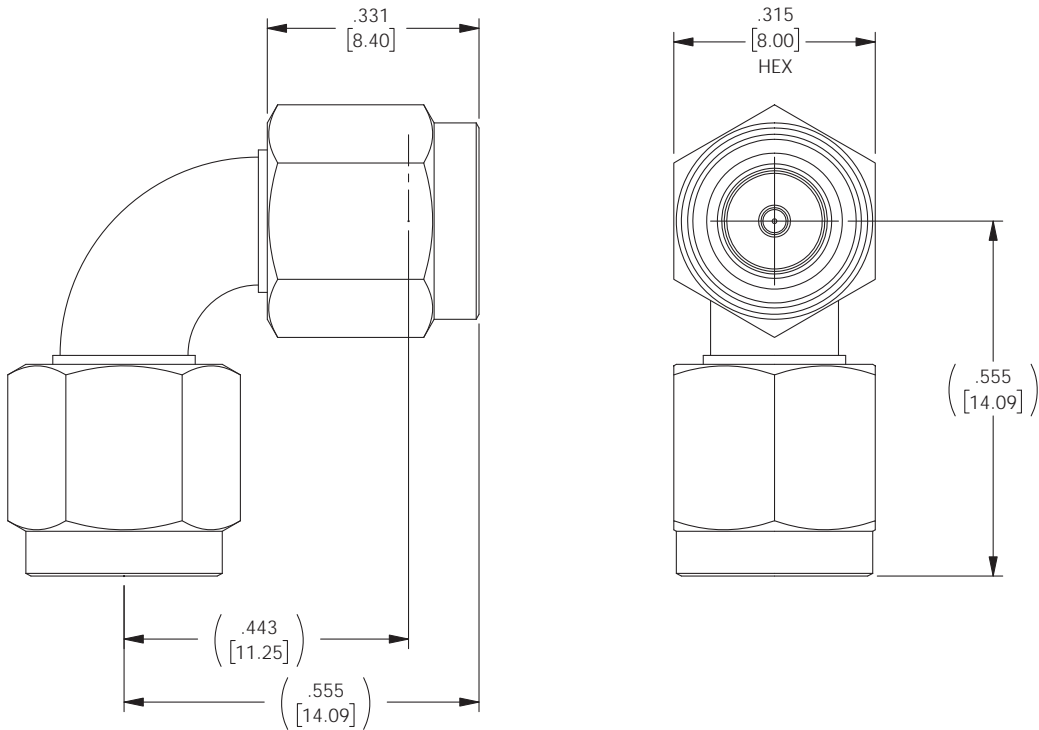
Radius RA SMA Male to SMA Male Adapter with Passivated Stainless Steel Body from Fairview Microwave is in-stock and available to ship same-day. All of our RF/microwave products are available off-the-shelf from our ISO 9001:2008 certified facilities in Lewisville, Texas. Fairview Microwave is RF on-demand.

For additional information on this product, please click the following link: [Radius RA SMA Male to SMA Male Adapter with Passivated Stainless Steel Body FMAD1196](#)

URL: <https://www.fairviewmicrowave.com/radius-ra-sma-male-sma-male-adapter-fmad1196-p.aspx>

The information contained in this document is accurate to the best of our knowledge and representative of the part described herein. It may be necessary to make modifications to the part and/or the documentation of the part, in order to implement improvements. Fairview Microwave reserves the right to make such changes as required. Unless otherwise stated, all specifications are nominal. Fairview Microwave does not make any representation or warranty regarding the suitability of the part described herein for any particular purpose, and Fairview Microwave does not assume any liability arising out of the use of any part or documentation.

REVISIONS			
REV.	DESCRIPTION	DATE	APPROVED
A	INITIAL RELEASE	01/21/2021	SELLIS



THESE COMMODITIES, TECHNOLOGY OR SOFTWARE WERE EXPORTED FROM THE UNITED STATES IN ACCORDANCE WITH THE EXPORT ADMINISTRATION REGULATIONS. DIVERSION CONTRARY TO U.S. LAW PROHIBITED.

TITLE  
Radius RA SMA Male to SMA Male Adapter with Passivated Stainless Steel Body

UNLESS OTHERWISE SPECIFIED LEADING DIMENSIONS ARE INCHES DIMENSIONS IN [ ] ARE MILLIMETERS		THIRD-ANGLE PROJECTION	
TOLERANCES:		CABLE LENGTH (L) TOLERANCES:	
.X = ± 2 [5.08]	FRACTIONS ± 1/32	L ≤ 12 [305] = +1 [25] / -0	THE INFORMATION AND DESIGN IN THIS DOCUMENT IS THE PROPERTY OF FAIRVIEW MICROWAVE CORPORATION. ALL RIGHTS RESERVED. SHEET 1 OF 1 SCALE N/A
.XX = ± .02 [ .51]	ANGLES ± 1°	12 [305] < L ≤ 60 [1524] = +2 [51] / -0	
.XXX = ± .005 [ .13]		60 [1524] < L ≤ 120 [3048] = +4 [102] / -0	
		120 [3048] < L ≤ 300 [7620] = +6 [152] / -0 300 [7620] < L = +5%L / -0	
ALL DIMENSIONS SHOWN ARE FOR REFERENCE ONLY.			
SIZE A	CAGE CODE 3FKR5	DRAWN BY DFRISIELLO	ITEM NO. FMAD1196
		REV A	

T-Rev.D