

## 2.92mm Female to 2.92mm Female Bulkhead Adapter with Stainless Steel Body

2.92mm female to 2.92mm female bulkhead adapter part number FMAD1201 from Fairview Microwave is in-stock and ships same day. This Fairview 2.92mm to 2.92mm adapter has a female to female gender configuration and is built of durable stainless steel. FMAD1201 2.92mm female to 2.92mm female adapter is gold plated and operates to 40 GHz. The Fairview Microwave RF adapter provides good VSWR of 1.35:1 maximum. The 2.92mm connector mates mechanically with commercially available SMA and 3.5mm connectors. Our RF 2.92mm to 2.92mm bulkhead adapter allows designers to create external connections on their product enclosures, and can be used in a variety of other rack mount and panel mount applications.

RF adapters can be used to enable connections between two connector types that would otherwise not mate. Certain RF adapter configurations can also be used to protect connectors on expensive equipment where the number of connect and disconnect cycles is high. An RF, microwave, or millimeter wave adapter is connected to the equipment and the commonly changed connection is made with the adapter which can be easily replaced when it wears out after high usage; such adapters are referred to as connector savers. Fairview Microwave also offers bulkhead, panel mount, hermetically sealed, reverse polarity, and isolated ground adapter varieties to serve all of your RF, microwave and millimeter wave needs.

### Electrical Specifications

Description	Min	Typ	Max	Units
Frequency Range	DC		40	GHz
VSWR			1.35:1	

Electrical Specification Notes:  
 Values at 25°C, sea level.

### Mechanical Specifications

<b>Size</b>	
Length	0.9 in [22.2 mm]
Width	0.555 in [14.1 mm]
Height	0.555 in [14.1 mm]
Weight	0.0216 lbs [9.8 g]

Description	Connector 1	Connector 2
Type	2.92mm Female	2.92mm Female
Polarity	Standard	Standard
Connector Option		Hermetically Sealed
Mating Cycles	500	500

Mechanical Specification Notes:

The glass bead seal in the center of the adapter is sensitive to shock and axial pressure. If the adapter is subjected to shock and overtightening of the coupling nut, the glass bead interseal will shatter easily. Jam nut torque not to exceed 15 inch pounds.



### Configuration:

- 2.92mm Female Connector 1
- 2.92mm Female Connector 2
- 50 Ohm
- Straight Body Geometry
- Bulkhead Mount Method

### Features:

- VSWR of 1.35:1 max up to 40 GHz
- 4µ in. minimum contact plating
- Gold over Nickel Plated Beryllium Copper Contact

### Applications:

- General Purpose Test
- Rack Mounted Equipment

Fairview Microwave  
 301 Leora Ln., Suite 100  
 Lewisville, TX 75056  
 Tel: 1-800-715-4396 / (972) 649-6678  
 Fax: (972) 649-6689  
[www.fairviewmicrowave.com](http://www.fairviewmicrowave.com)  
[sales@fairviewmicrowave.com](mailto:sales@fairviewmicrowave.com)

**Material Specifications**

Description	Connector 1	Connector 2
Type	2.92mm Female	2.92mm Female
Contact Material	Beryllium Copper	Beryllium Copper
Contact Plating	Gold over Nickel	Gold over Nickel
Contact Plating Spec.	4μ in. minimum	4μ in. minimum
Insulation Material	PEI	PEI
Outer Contact Material	Passivated Stainless Steel	Passivated Stainless Steel
Body Material	Stainless Steel	Stainless Steel
Body Plating	Gold	Gold
Body Plating Spec.	5μ in. minimum	5μ in. minimum
Washer Material	Passivated Stainless Steel	Passivated Stainless Steel

**Environmental Specifications**
**Temperature**

Operating Range

-55 to +100 deg C

Vibration

MIL-STD 202, Method 204, Condition D (20 G's)

Salt Spray

MIL-STD 202, Method 101, Condition B, 5% salt solution

Hermetic Seal

 Shall pass no more than  $1 \times 10^{-8}$  cc/sec He at 1 atm

**Compliance Certifications** (see [product page](#) for current document)

**Plotted and Other Data**

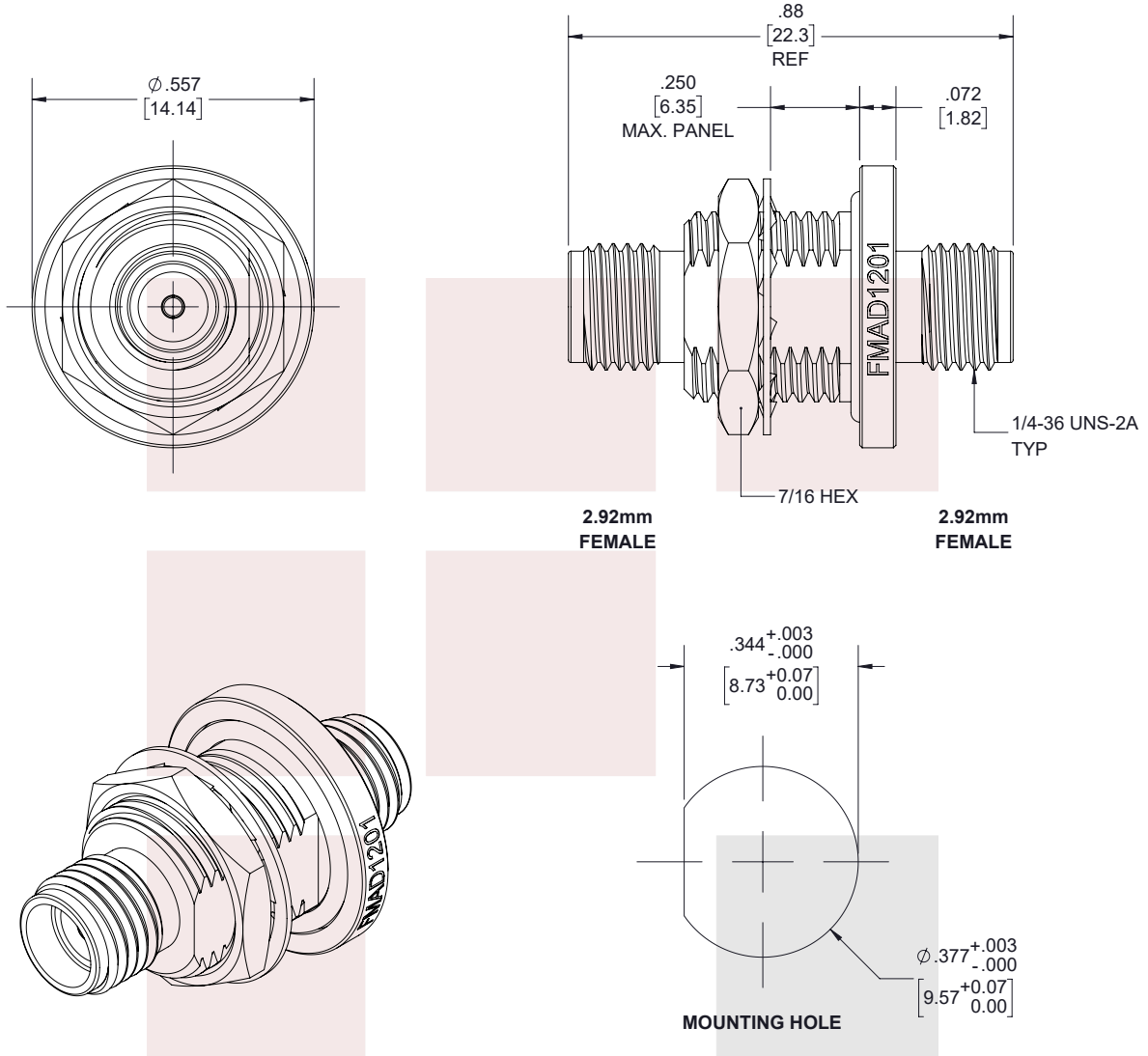
Notes:

2.92mm Female to 2.92mm Female Bulkhead Adapter with Stainless Steel Body from Fairview Microwave is in-stock and available to ship same-day. All of our RF/microwave products are available off-the-shelf from our ISO 9001:2008 certified facilities in Lewisville, Texas. Fairview Microwave is RF on-demand.

For additional information on this product, please click the following link: [2.92mm Female to 2.92mm Female Bulkhead Adapter with Stainless Steel Body FMAD1201](#)

URL: <https://www.fairviewmicrowave.com/2.92mm-female-2.92mm-female-bulkhead-adapter-fmad1201-p.aspx>

The information contained in this document is accurate to the best of our knowledge and representative of the part described herein. It may be necessary to make modifications to the part and/or the documentation of the part, in order to implement improvements. Fairview Microwave reserves the right to make such changes as required. Unless otherwise stated, all specifications are nominal. Fairview Microwave does not make any representation or warranty regarding the suitability of the part described herein for any particular purpose, and Fairview Microwave does not assume any liability arising out of the use of any part or documentation.



**STANDARD TOLERANCES**

.X  $\pm 0.2$   
.XX  $\pm 0.01$   
.XXX  $\pm 0.005$

\*STANDARD TOLERANCES APPLY ONLY TO DIMENSIONS IN INCHES

NOTES:  
1. UNLESS OTHERWISE SPECIFIED ALL DIMENSIONS ARE NOMINAL.  
2. ALL SPECIFICATIONS ARE SUBJECT TO CHANGE WITHOUT NOTICE AT ANY TIME.  
3. DIMENSIONS ARE IN INCHES [mm].

TITLE 2.92mm Female to 2.92mm Female Bulkhead Adapter with Stainless Steel Body	DWG NO <b>FMAD1201</b>		CAGE CODE <b>3FKR5</b>			
	CAD FILE 08/13/19	SHEET 1 OF 1	SCALE N/A	SIZE A	7361	