

Precision N Male to N Male Adapter with Passivated Stainless Steel Body

Type N male to type N male adapter part number FMAD1237 from Fairview Microwave is in-stock and ships same day. This Fairview type N to type N adapter has a male to male gender configuration and is built of durable stainless steel in a precision design. FMAD1237 type N male to type N male adapter operates to 18 GHz. The Fairview Microwave RF adapter provides excellent VSWR of 1.15:1 maximum.

RF adapters can be used to enable connections between two connector types that would otherwise not mate. Certain RF adapter configurations can also be used to protect connectors on expensive equipment where the number of connect and disconnect cycles is high. An RF, microwave, or millimeter wave adapter is connected to the equipment and the commonly changed connection is made with the adapter which can be easily replaced when it wears out after high usage; such adapters are referred to as connector savers. Fairview Microwave also offers bulkhead, panel mount, hermetically sealed, reverse polarity, and isolated ground adapter varieties to serve all of your RF, microwave and millimeter wave needs.

Electrical Specifications

| Description | Min | Typ | Max | Units |
|------------------------|-------|-----|--------|-------|
| Frequency Range | DC | | 18 | GHz |
| VSWR | | | 1.15:1 | |
| Operating Voltage (AC) | | | 1,000 | Vrms |
| DWV (AC) | | | 2,500 | Vrms |
| Insulation Resistance | 5,000 | | | MOhms |

Mechanical Specifications

| | |
|-------------|---------------------|
| Size | |
| Length | 1.9 in [48.0 mm] |
| Width | 0.83 in [21.08 mm] |
| Height | 0.83 in [21.08 mm] |
| Weight | 0.1541 lbs [69.9 g] |

| Description | Connector 1 | Connector 2 |
|---------------|-------------|-------------|
| Type | N Male | N Male |
| Polarity | Standard | Standard |
| Mating Cycles | 500 | 500 |



Configuration:

- N Male Connector 1
- N Male Connector 2
- 50 Ohm
- Precision Design
- Straight Body Geometry

Features:

- VSWR of 1.15:1 max up to 18 GHz
- Contact plating according to MIL-G-45204
- Gold over Nickel Plated Brass Contact

Applications:

- General Purpose Test
- Precision Test & Measurement

Fairview Microwave
 301 Leora Ln., Suite 100
 Lewisville, TX 75056
 Tel: 1-800-715-4396 / (972) 649-6678
 Fax: (972) 649-6689
www.fairviewmicrowave.com
sales@fairviewmicrowave.com

Material Specifications

| Description | Connector 1 | Connector 2 |
|------------------------|----------------------------|----------------------------|
| Type | N Male | N Male |
| Contact Material | Brass | Brass |
| Contact Plating | Gold over Nickel | Gold over Nickel |
| Contact Plating Spec. | MIL-G-45204 | MIL-G-45204 |
| Insulation Material | Noryl | Noryl |
| Outer Contact Material | Passivated Stainless Steel | Passivated Stainless Steel |
| Body Material | Passivated Stainless Steel | Passivated Stainless Steel |
| Gasket Material | Silicone Rubber | Silicone Rubber |
| Washer Material | Phosphor Bronze | Phosphor Bronze |
| Coupling Nut Material | Passivated Stainless Steel | Passivated Stainless Steel |

Environmental Specifications

Temperature

Operating Range -65 to +125 deg C

Compliance Certifications (see [product page](#) for current document)

Plotted and Other Data

Notes:

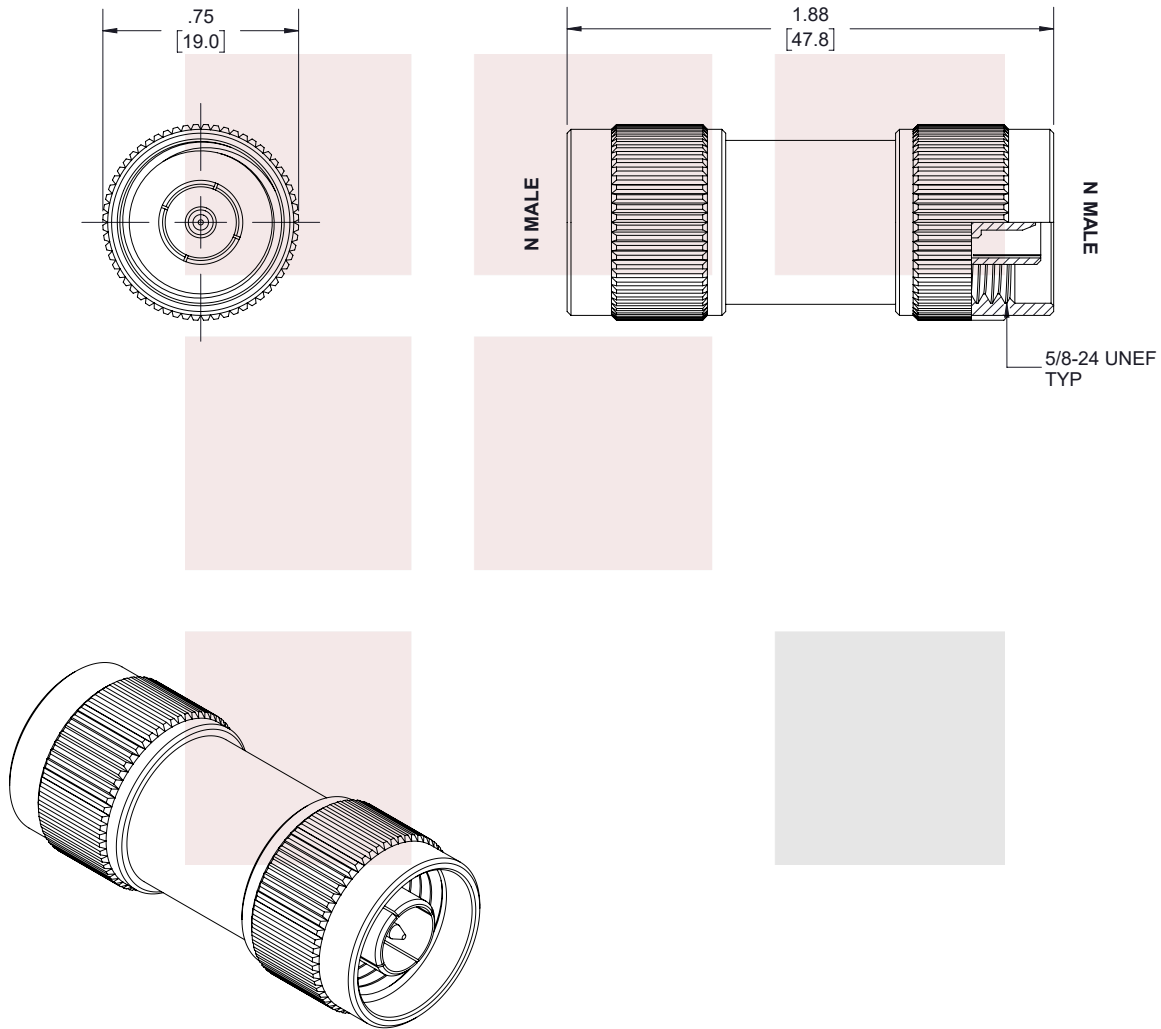
Precision N Male to N Male Adapter with Passivated Stainless Steel Body from Fairview Microwave is in-stock and available to ship same-day. All of our RF/microwave products are available off-the-shelf from our ISO 9001:2008 certified facilities in Lewisville, Texas. Fairview Microwave is RF on-demand.

For additional information on this product, please click the following link: [Precision N Male to N Male Adapter with Passivated Stainless Steel Body FMAD1237](#)

URL: <https://www.fairviewmicrowave.com/precision-n-male-n-male-adapter-fmad1237-p.aspx>

The information contained in this document is accurate to the best of our knowledge and representative of the part described herein. It may be necessary to make modifications to the part and/or the documentation of the part, in order to implement improvements. Fairview Microwave reserves the right to make such changes as required. Unless otherwise stated, all specifications are nominal. Fairview Microwave does not make any representation or warranty regarding the suitability of the part described herein for any particular purpose, and Fairview Microwave does not assume any liability arising out of the use of any part or documentation.

| REVISIONS | | | |
|-----------|-----------------|-----------|----------|
| REV. | DESCRIPTION | DATE | APPROVED |
| A | INITIAL RELEASE | 1/10/2020 | S.ELLIS |



THESE COMMODITIES, TECHNOLOGY OR SOFTWARE WERE EXPORTED FROM THE UNITED STATES IN ACCORDANCE WITH THE EXPORT ADMINISTRATION REGULATIONS. DIVERSION CONTRARY TO U.S. LAW PROHIBITED.

TITLE
Precision N Male to N Male Adapter with Passivated Stainless Steel Body

UNLESS OTHERWISE SPECIFIED LEADING DIMENSIONS ARE INCHES
DIMENSIONS IN [] ARE MILLIMETERS

| TOLERANCES: | | CABLE LENGTH (L) TOLERANCES: | |
|--------------------|------------------|---|--|
| .X = ±.2 [5.08] | FRACTIONS ± 1/32 | L ≤ 12 [305] = +1 [25] / -0 | |
| .XX = ±.02 [.51] | | 12 [305] < L ≤ 60 [1524] = +2 [51] / -0 | |
| .XXX = ±.005 [.13] | ANGLES ± 1° | 60 [1524] < L ≤ 120 [3048] = +4 [102] / -0 | |
| | | 120 [3048] < L ≤ 300 [7620] = +6 [152] / -0 | |
| | | 300 [7620] < L = +5%L / -0 | |

THIRD-ANGLE PROJECTION
THE INFORMATION AND DESIGN IN THIS DOCUMENT IS THE PROPERTY OF FAIRVIEW MICROWAVE CORPORATION. ALL RIGHTS RESERVED.

SHEET 1 OF 1

ALL DIMENSIONS SHOWN ARE FOR REFERENCE ONLY.

SCALE N/A

| SIZE | CAGE CODE | DRAWN BY | PART NUMBER | REV |
|------|-----------|----------|-------------|-----|
| A | 3FKR5 | K.DANG | FMAD1237 | A |

T-Rev.D