

Precision N Male to SMA Female Adapter with Passivated Stainless Steel Body

Type N male to SMA female adapter part number FMAD1240 from Fairview Microwave is in-stock and ships same day. This Fairview type N to SMA adapter has a male to female gender configuration and is built of durable stainless steel in a precision design. FMAD1240 type N male to SMA female adapter operates to 18 GHz. The Fairview Microwave RF adapter provides excellent VSWR of 1.25:1 maximum.

RF adapters can be used to enable connections between two connector types that would otherwise not mate. Certain RF adapter configurations can also be used to protect connectors on expensive equipment where the number of connect and disconnect cycles is high. An RF, microwave, or millimeter wave adapter is connected to the equipment and the commonly changed connection is made with the adapter which can be easily replaced when it wears out after high usage; such adapters are referred to as connector savers. Fairview Microwave also offers bulkhead, panel mount, hermetically sealed, reverse polarity, and isolated ground adapter varieties to serve all of your RF, microwave and millimeter wave needs.

Electrical Specifications

Description	Min	Typ	Max	Units
Frequency Range	DC		18	GHz
VSWR			1.25:1	
Insertion Loss			0.21	dB

Electrical Specification Notes:
Insertion Loss = $0.05 * \sqrt{f(\text{GHz})}$

Mechanical Specifications

Size		
Length		1.140 in [29.0 mm]
Width		0.78 in [19.81 mm]
Weight		0.071 lbs [32.21 g]

Description	Connector 1	Connector 2
Type	N Male	SMA Female
Polarity	Standard	Standard
Mating Cycles	500	500
Mating Torque		12 to 15 in-lbs [1.36 to 1.70 Nm]



Configuration:

- N Male Connector 1
- SMA Female Connector 2
- 50 Ohm
- Precision Design
- Straight Body Geometry

Features:

- VSWR of 1.25:1 max up to 18 GHz
- Contact plating according to MIL-G-45204
- Gold over Nickel Plated Beryllium Copper Contact

Applications:

- Enables Between Series Connections
- General Purpose Test
- Precision Test & Measurement

Fairview Microwave
301 Leora Ln., Suite 100
Lewisville, TX 75056
Tel: 1-800-715-4396 / (972) 649-6678
Fax: (972) 649-6689
www.fairviewmicrowave.com
sales@fairviewmicrowave.com

Material Specifications

Description	Connector 1	Connector 2
Type	N Male	SMA Female
Contact Material	Beryllium Copper	Beryllium Copper
Contact Plating	Gold over Nickel	Gold over Nickel
Contact Plating Spec.	MIL-G-45204	MIL-G-45204
Insulation Material	PTFE	PTFE
Outer Contact Material		Passivated Stainless Steel
Outer Conductor Contact Spec.		ASTM A380
Body Material	Passivated Stainless Steel	Passivated Stainless Steel
Body Plating Spec.	ASTM A380	ASTM A380
Coupling Nut Material	Passivated Stainless Steel	
Coupling Nut Plating Spec.	ASTM A380	

Environmental Specifications

Temperature

Operating Range -65 to +125 deg C

Compliance Certifications (see [product page](#) for current document)

Plotted and Other Data

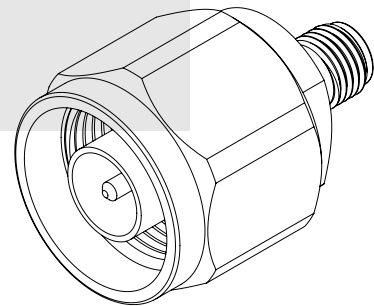
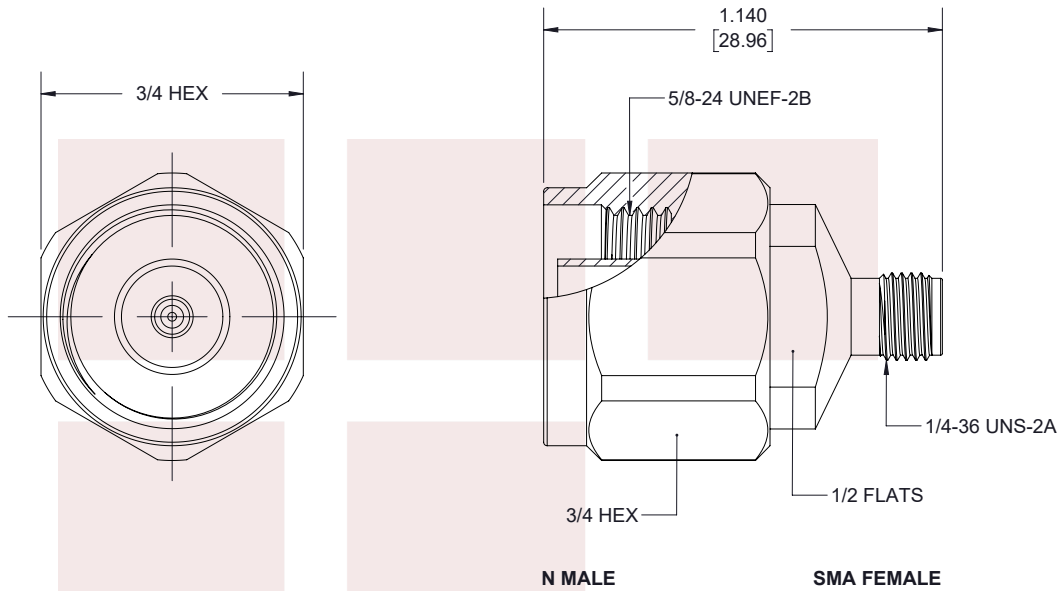
Notes:

Precision N Male to SMA Female Adapter with Passivated Stainless Steel Body from Fairview Microwave is in-stock and available to ship same-day. All of our RF/microwave products are available off-the-shelf from our ISO 9001:2008 certified facilities in Lewisville, Texas. Fairview Microwave is RF on-demand.

For additional information on this product, please click the following link: [Precision N Male to SMA Female Adapter with Passivated Stainless Steel Body FMAD1240](#)

URL: <https://www.fairviewmicrowave.com/precision-n-male-sma-female-adapter-fmad1240-p.aspx>

The information contained in this document is accurate to the best of our knowledge and representative of the part described herein. It may be necessary to make modifications to the part and/or the documentation of the part, in order to implement improvements. Fairview Microwave reserves the right to make such changes as required. Unless otherwise stated, all specifications are nominal. Fairview Microwave does not make any representation or warranty regarding the suitability of the part described herein for any particular purpose, and Fairview Microwave does not assume any liability arising out of the use of any part or documentation.



STANDARD TOLERANCES

.X ±0.2
.XX ±0.01
.XXX ±0.005

*STANDARD TOLERANCES APPLY ONLY TO DIMENSIONS IN INCHES

NOTES:
1. UNLESS OTHERWISE SPECIFIED ALL DIMENSIONS ARE NOMINAL.
2. ALL SPECIFICATIONS ARE SUBJECT TO CHANGE WITHOUT NOTICE AT ANY TIME.
3. DIMENSIONS ARE IN INCHES [mm].

TITLE Precision N Male to SMA Female Adapter with Passivated Stainless Steel Body	DWG NO FMAD1240		CAGE CODE 3FKR5			
	CAD FILE 10/08/19	SHEET 1 OF 1	SCALE N/A	SIZE A	7361	