

## N Female to 2.2-5 Female Adapter, Low PIM

Type N female to 2.2-5 female adapter part number FMAD1271 from Fairview Microwave is in-stock and ships same day. This Fairview type N to 2.2-5 adapter has a female to female gender configuration in a low PIM design. FMAD1271 type N female to 2.2-5 female adapter operates to 8 GHz. The Fairview Microwave RF adapter provides excellent VSWR of 1.25: 1 maximum and passive intermodulation of -160 dBc typical.

RF adapters can be used to enable connections between two connector types that would otherwise not mate. Certain RF adapter configurations can also be used to protect connectors on expensive equipment where the number of connect and disconnect cycles is high. An RF, microwave, or millimeter wave adapter is connected to the equipment and the commonly changed connection is made with the adapter which can be easily replaced when it wears out after high usage; such adapters are referred to as connector savers. Fairview Microwave also offers bulkhead, panel mount, hermetically sealed, reverse polarity, and isolated ground adapter varieties to serve all of your RF, microwave and millimeter wave needs.

### Electrical Specifications

Description	Min	Typ	Max	Units
Frequency Range	DC		8	GHz
VSWR			1.25: 1	
Passive Intermodulation		-160		dBc
DWV (AC)			750	Vrms

### Mechanical Specifications

<b>Size</b>		
Length		1.350 in [34.3 mm]
Width		0.49 in [12.45 mm]
Weight		0.07 lbs [31.75 g]

Description	Connector 1	Connector 2
Type	N Female	2.2-5 Female
Polarity	Standard	Standard

### Material Specifications

Description	Connector 1	Connector 2
Type	N Female	2.2-5 Female
Contact Material	Beryllium Copper	Beryllium Copper
Contact Plating	Silver	Silver
Insulation Material	PTFE	PTFE
Outer Contact Material	Bronze	Bronze
Outer Contact Plating	Silver	Silver
Body Material	Brass	Brass
Body Plating	Tri-Metal	Tri-Metal



### Configuration:

- N Female Connector 1
- 2.2-5 Female Connector 2
- 50 Ohm
- Low PIM Design
- Straight Body Geometry

### Features:

- VSWR of 1.25: 1 max up to 8 GHz
- Typical PIM levels of -160 dBc
- Silver Plated Beryllium Copper Contact
- VSWR of 1.25: 1 max up to 8 GHz
- PIM levels better than -160 dBc
- Corrosion Resistant Tri-Metal finish

### Applications:

- Enables Between Series Connections
- General Purpose Test
- Low PIM Applications
- Mobile Communications Systems
- Base Stations
- Distributed Antenna Systems
- Small Cells
- Feeder Cables

Fairview Microwave  
301 Leora Ln., Suite 100  
Lewisville, TX 75056  
Tel: 1-800-715-4396 / (972) 649-6678  
Fax: (972) 649-6689  
[www.fairviewmicrowave.com](http://www.fairviewmicrowave.com)  
[sales@fairviewmicrowave.com](mailto:sales@fairviewmicrowave.com)

## Environmental Specifications

### Temperature

Operating Range -40 to +155 deg C

**Compliance Certifications** (see [product page](#) for current document)

## Plotted and Other Data

Notes:

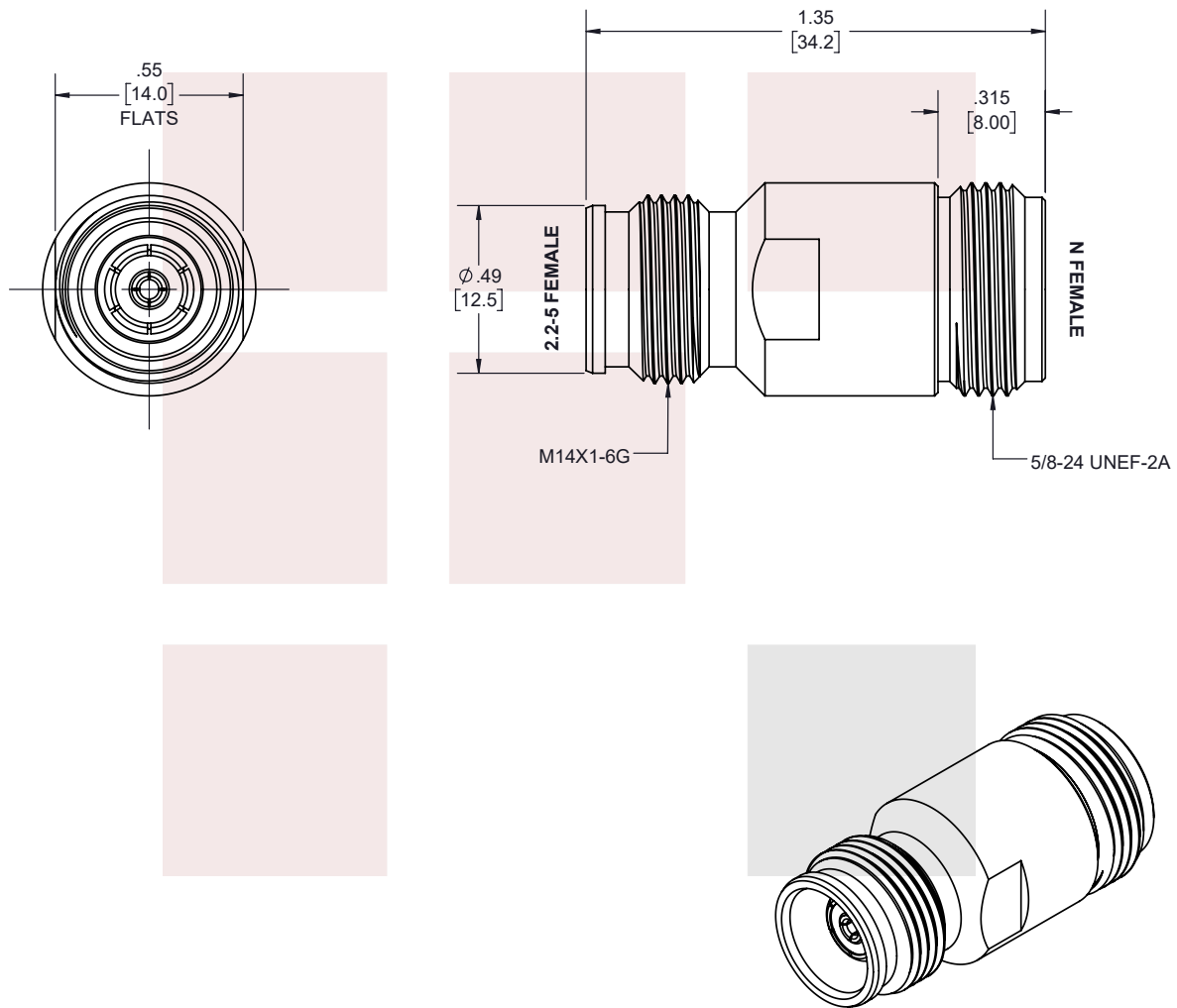
N Female to 2.2-5 Female Adapter, Low PIM from Fairview Microwave is in-stock and available to ship same-day. All of our RF/microwave products are available off-the-shelf from our ISO 9001:2008 certified facilities in Lewisville, Texas. Fairview Microwave is RF on-demand.

For additional information on this product, please click the following link: [N Female to 2.2-5 Female Adapter, Low PIM FMAD1271](#)

URL: <https://www.fairviewmicrowave.com/low-pim-n-female-2.2-5-female-adapter-fmad1271-p.aspx>

The information contained in this document is accurate to the best of our knowledge and representative of the part described herein. It may be necessary to make modifications to the part and/or the documentation of the part, in order to implement improvements. Fairview Microwave reserves the right to make such changes as required. Unless otherwise stated, all specifications are nominal. Fairview Microwave does not make any representation or warranty regarding the suitability of the part described herein for any particular purpose, and Fairview Microwave does not assume any liability arising out of the use of any part or documentation.

REVISIONS			
REV.	DESCRIPTION	DATE	APPROVED
A	INITIAL RELEASE	6/25/2021	A. GANWANI



THESE COMMODITIES, TECHNOLOGY OR SOFTWARE WERE EXPORTED FROM THE UNITED STATES IN ACCORDANCE WITH THE EXPORT ADMINISTRATION REGULATIONS. DIVERSION CONTRARY TO U.S. LAW PROHIBITED.

TITLE  
N Female to 2.2-5 Female Adapter, Low PIM

UNLESS OTHERWISE SPECIFIED LEADING DIMENSIONS ARE INCHES  
DIMENSIONS IN [ ] ARE MILLIMETERS

TOLERANCES:		CABLE LENGTH (L) TOLERANCES:	
.X = ± .2 [5.08]	FRACTIONS ± 1/32	L ≤ 12 [305] = +1 [25] / -0	
.XX = ± .02 [ .51]	ANGLES ± 1°	12 [305] < L ≤ 60 [1524] = +2 [51] / -0	
.XXX = ± .005 [ .13]		60 [1524] < L ≤ 120 [3048] = +4 [102] / -0	
		120 [3048] < L ≤ 300 [7620] = +6 [152] / -0	
		300 [7620] < L = +5%L / -0	

THIRD-ANGLE PROJECTION  
  
THE INFORMATION AND DESIGN IN THIS DOCUMENT IS THE PROPERTY OF FAIRVIEW MICROWAVE CORPORATION. ALL RIGHTS RESERVED.

SHEET 1 OF 1

ALL DIMENSIONS SHOWN ARE FOR REFERENCE ONLY.

SCALE N/A

SIZE	CAGE CODE	DRAWN BY	ITEM NO.	REV
A	3FKR5	K.DANG	FMAD1271	A

T-Rev.D