

## C Female to C Female Bulkhead Mount Adapter

Type C female to type C female bulkhead adapter part number FMAD1284 from Fairview Microwave is in-stock and ships same day. This Fairview type C to type C adapter has a female to female gender configuration. FMAD1284 type C female to type C female adapter. Our RF type C to type C bulkhead adapter allows designers to create external connections on their product enclosures, and can be used in a variety of other rack mount and panel mount applications.

RF adapters can be used to enable connections between two connector types that would otherwise not mate. Certain RF adapter configurations can also be used to protect connectors on expensive equipment where the number of connect and disconnect cycles is high. An RF, microwave, or millimeter wave adapter is connected to the equipment and the commonly changed connection is made with the adapter which can be easily replaced when it wears out after high usage; such adapters are referred to as connector savers. Fairview Microwave also offers bulkhead, panel mount, hermetically sealed, reverse polarity, and isolated ground adapter varieties to serve all of your RF, microwave and millimeter wave needs.

### Mechanical Specifications

Size	
Length	1.480 in [37.6 mm]
Width	1 in [25.4 mm]
Weight	0.116 lbs [52.62 g]

Description	Connector 1	Connector 2
Type	C Female	C Female
Polarity	Standard	Standard
Interface Specification	MIL-STD-348	MIL-STD-348

### Material Specifications

Description	Connector 1	Connector 2
Type	C Female	C Female
Contact Plating	Silver	Silver
Contact Plating Spec.	QQ-S-365	QQ-S-365
Insulation Material	PTFE	PTFE
Outer Contact Material	Brass	Brass
Outer Contact Plating	Nickel	Nickel
Outer Contact Plating Spec.	QQ-N-290	QQ-N-290
Coupling Nut Material		Brass
Coupling Nut Plating		Nickel
Coupling Nut Plating Spec.		QQ-N-290

### Environmental Specifications

Temperature	
Operating Range	-65 to +165 deg C

**Compliance Certifications** (see [product page](#) for current document)

### Plotted and Other Data

Notes:



### Configuration:

- C Female Connector 1
- C Female Connector 2
- 50 Ohm
- Straight Body Geometry
- Bulkhead Mount Method

### Features:

- Type C interface meets MIL-STD-348
- Contact plating according to QQ-S-365

### Applications:

- General Purpose Test
- Rack Mounted Equipment

Fairview Microwave  
301 Leora Ln., Suite 100  
Lewisville, TX 75056  
Tel: 1-800-715-4396 / (972) 649-6678  
Fax: (972) 649-6689  
[www.fairviewmicrowave.com](http://www.fairviewmicrowave.com)  
[sales@fairviewmicrowave.com](mailto:sales@fairviewmicrowave.com)

C Female to C Female Bulkhead Mount Adapter from Fairview Microwave is in-stock and available to ship same-day. All of our RF/microwave products are available off-the-shelf from our ISO 9001:2008 certified facilities in Lewisville, Texas. Fairview Microwave is RF on-demand.

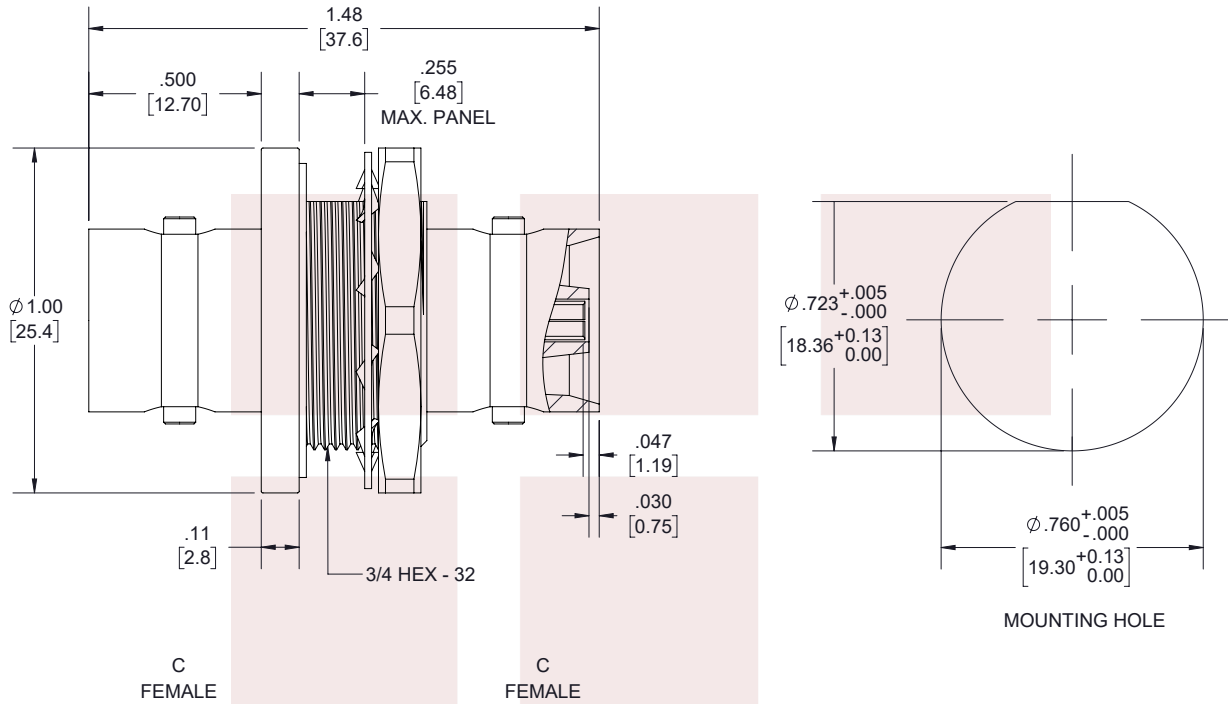
For additional information on this product, please click the following link: [C Female to C Female Bulkhead Mount Adapter FMAD1284](#)

URL: <https://www.fairviewmicrowave.com/c-female-to-c-female-bulkhead-adapter-fmad1284-p.aspx>

The information contained in this document is accurate to the best of our knowledge and representative of the part described herein. It may be necessary to make modifications to the part and/or the documentation of the part, in order to implement improvements. Fairview Microwave reserves the right to make such changes as required. Unless otherwise stated, all specifications are nominal. Fairview Microwave does not make any representation or warranty regarding the suitability of the part described herein for any particular purpose, and Fairview Microwave does not assume any liability arising out of the use of any part or documentation.



REVISIONS			
REV.	DESCRIPTION	DATE	APPROVED
A	INITIAL RELEASE	03/31/2022	AGANWANI



THESE COMMODITIES, TECHNOLOGY OR SOFTWARE WERE EXPORTED FROM THE UNITED STATES IN ACCORDANCE WITH THE EXPORT ADMINISTRATION REGULATIONS. DIVERSION CONTRARY TO U.S. LAW PROHIBITED.

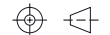
TITLE  
C Female to C Female Bulkhead Mount Adapter

UNLESS OTHERWISE SPECIFIED LEADING DIMENSIONS ARE INCHES  
DIMENSIONS IN [ ] ARE MILLIMETERS

TOLERANCES: CABLE LENGTH (L) TOLERANCES:

.X = ±.2 [5.08]	FRACTIONS	L ≤ 12 [305] = +1 [25] / -0
.XX = ±.02 [.51]	± 1/32	12 [305] < L ≤ 60 [1524] = +2 [51] / -0
.XXX = ±.005 [.13]	ANGLES ± 1°	60 [1524] < L ≤ 120 [3048] = +4 [102] / -0
		120 [3048] < L ≤ 300 [7620] = +6 [152] / -0
		300 [7620] < L = +5%L / -0

THIRD-ANGLE PROJECTION



THE INFORMATION AND DESIGN IN THIS DOCUMENT IS THE PROPERTY OF FAIRVIEW MICROWAVE CORPORATION. ALL RIGHTS RESERVED.

SHEET 1 OF 1

ALL DIMENSIONS SHOWN ARE FOR REFERENCE ONLY.

SCALE N/A

SIZE A	CAGE CODE 3FKR5	DRAWN BY K.GLEBOVA	ITEM NO. FMAD1284	REV A
-----------	--------------------	-----------------------	----------------------	----------

T-Rev.D