

## RF Adapter, 45 Degree Angle 2.4mm plug to 2.4mm plug 50GHz VSWR 1.25

2.4 mm adapter FMAD1587 from Fairview Microwave is part of a very large selection of in-stock interconnect RF components. Our 2.4 mm to 2.4 mm adapter is a coaxial adapter design with a 50 Ohm impedance. This 50 Ohm 2.4 mm adapter is manufactured to precise RF adapter specifications and has a maximum VSWR of 1.250.

Our in-series connection type RF adapter, which operates to 50 GHz makes connections in tight spaces easier. This passivated stainless steel RF adapter can be used to make connections between two connector types that would not otherwise mate. This 2.4 mm adapter contains beryllium copper contacts with gold over nickel contact plating.

This 2.4 mm to 2.4 mm adapter is constructed with male gender on side 1 and male on side 2. FMAD1587 2.4 mm male to 2.4 mm male coaxial adapter from Fairview has a 45-degree angled body ideal for routing RF/Microwave signals in tight spaces. Additionally, RF adapters can be utilized to protect connectors on expensive equipment where the number of connect and disconnect cycles is high.

Fairview 2.4 mm male to 2.4 mm male adapter is part of over one million RF microwave and millimeter wave components in stock. 45-degree angle RF 2.4 mm adapter is ready for same day purchase and shipping worldwide. We also stock and/or custom build 2.4 mm coaxial cables that ship quickly from our facility for all your RF adapter component needs.

### Electrical Specifications

Description	Min	Typ	Max	Units
Frequency Range	DC		50	GHz
VSWR			1.25:1	

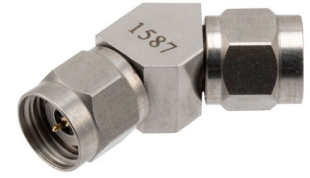
### Specifications by Frequency

Description	F1	F2	F3	F4	F5	Units
Frequency Range	DC to 4	4 to 8	8 to 10	10 to 25	25 to 50	GHz
Insertion Loss, Max	0.14	0.198	0.221	0.35	0.495	dB

### Mechanical Specifications

<b>Size</b>	
Length	0.97 in [24.64 mm]
Width	0.32 in [8.13 mm]
Height	0.58 in [14.73 mm]
Weight	0.02 lbs [9.07 g]

Description	Connector 1	Connector 2
Type	2.4mm Male	2.4mm Male
Polarity	Standard	Standard



### Configuration:

- 2.4mm Male Connector 1
- 2.4mm Male Connector 2
- 50 Ohm
- 45 Degree Body Geometry

### Features:

- VSWR of 1.25:1 max up to 50 GHz
- Gold over Nickel Plated Beryllium Copper Contact

### Applications:

- General Purpose Test

Fairview Microwave  
301 Leora Ln., Suite 100  
Lewisville, TX 75056  
Tel: 1-800-715-4396 / (972) 649-6678  
Fax: (972) 649-6689  
[www.fairviewmicrowave.com](http://www.fairviewmicrowave.com)  
[sales@fairviewmicrowave.com](mailto:sales@fairviewmicrowave.com)

**Material Specifications**

Description	Connector 1	Connector 2
Type	2.4mm Male	2.4mm Male
Contact Material	Beryllium Copper	Beryllium Copper
Contact Plating	Gold over Nickel	Gold over Nickel
Body Material	Passivated Stainless Steel	Passivated Stainless Steel
Coupling Nut Material	Passivated Stainless Steel	Passivated Stainless Steel

**Environmental Specifications**

**Temperature**

Operating Range

Humidity

Thermal Shock

Salt Spray

-55 to +105 deg C

MIL-STD-202, Method 206

MIL-STD-202, Method 107, Condition B

MIL-STD-202, Method 101, Condition B

**Compliance Certifications** (see [product page](#) for current document)

**Plotted and Other Data**

Notes:

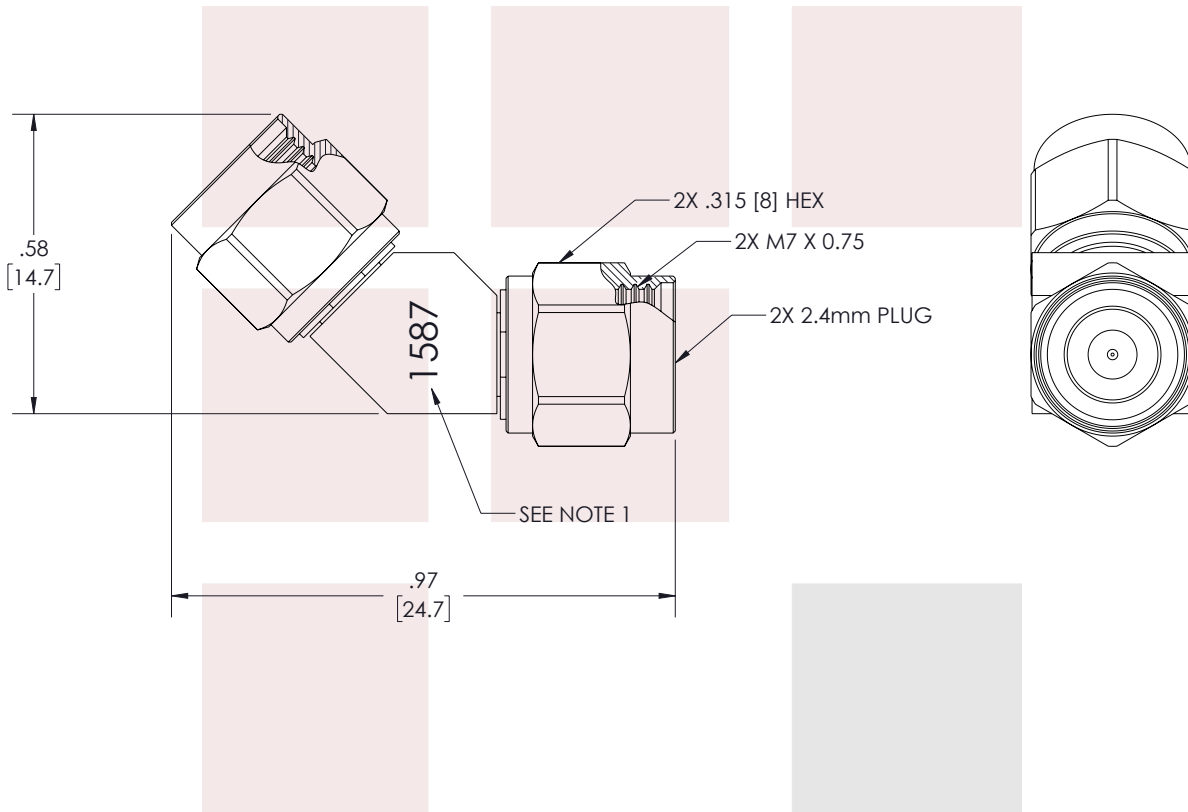
RF Adapter, 45 Degree Angle 2.4mm plug to 2.4mm plug 50GHz VSWR 1.25 from Fairview Microwave is in-stock and available to ship same-day. All of our RF/microwave products are available off-the-shelf from our ISO 9001:2008 certified facilities in Lewisville, Texas. Fairview Microwave is RF on-demand.

For additional information on this product, please click the following link: [RF Adapter, 45 Degree Angle 2.4mm plug to 2.4mm plug 50GHz VSWR 1.25 FMAD1587](#)

URL: <https://www.fairviewmicrowave.com/angle-undefined-2.4mm-male-to-2.4mm-male-adapter-mil-std-202-method-206-with-passivated-stainless-steel-body-fmad1587-p.aspx>

The information contained in this document is accurate to the best of our knowledge and representative of the part described herein. It may be necessary to make modifications to the part and/or the documentation of the part, in order to implement improvements. Fairview Microwave reserves the right to make such changes as required. Unless otherwise stated, all specifications are nominal. Fairview Microwave does not make any representation or warranty regarding the suitability of the part described herein for any particular purpose, and Fairview Microwave does not assume any liability arising out of the use of any part or documentation.

REVISIONS			
REV.	DESCRIPTION	DATE	APPROVED
A	INITIAL RELEASE	11/03/2022	DWANG



- NOTES:  
1. ITEM IS MARKED WITH ITEM NUMBER APPROXIMATELY WHERE SHOWN.

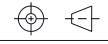
THESE COMMODITIES, TECHNOLOGY OR SOFTWARE WERE EXPORTED FROM THE UNITED STATES IN ACCORDANCE WITH THE EXPORT ADMINISTRATION REGULATIONS. DIVERSION CONTRARY TO U.S. LAW PROHIBITED.

TITLE  
RF Adapter, 45 Degree Angle 2.4mm plug to 2.4mm plug 50GHz VSWR 1.25

UNLESS OTHERWISE SPECIFIED LEADING DIMENSIONS ARE INCHES  
DIMENSIONS IN [ ] ARE MILLIMETERS

TOLERANCES:		CABLE LENGTH (L) TOLERANCES:	
.X = ±.2 [5.08]	FRACTIONS ± 1/32	L ≤ 12 [305] = +1 [25] / -0	
.XX = ±.02 [.51]		12 [305] < L ≤ 60 [1524] = +2 [51] / -0	
.XXX = ±.005 [.13]	ANGLES ± 1°	60 [1524] < L ≤ 120 [3048] = +4 [102] / -0	
		120 [3048] < L ≤ 300 [7620] = +6 [152] / -0	
		300 [7620] < L = +5%L / -0	

THIRD-ANGLE PROJECTION



THE INFORMATION AND DESIGN IN THIS DOCUMENT IS THE PROPERTY OF FAIRVIEW MICROWAVE CORPORATION. ALL RIGHTS RESERVED.

SHEET	1	OF	1
-------	---	----	---

ALL DIMENSIONS SHOWN ARE FOR REFERENCE ONLY.

SCALE N/A

SIZE	CAGE CODE	DRAWN BY	ITEM NO.	REV
A	3FKR5	AKRESOWSKI	FMAD1587	A

T-Rev.D