

## RF Adapter, 45 Degree Angle SMA plug to SMA plug 27GHz VSWR1.15

SMA adapter FMAD1593 from Fairview Microwave is part of a very large selection of in-stock interconnect RF components. Our SMA to SMA adapter is a coaxial adapter design with a 50 Ohm impedance. This 50 Ohm SMA adapter is manufactured to precise RF adapter specifications and has a maximum VSWR of 1.150.

Our in-series connection type RF adapter, which operates to 27 GHz makes connections in tight spaces easier. This passivated stainless steel RF adapter can be used to make connections between two connector types that would not otherwise mate. This SMA adapter contains beryllium copper contacts with gold over nickel contact plating.

This SMA to SMA adapter is constructed with male gender on side 1 and male on side 2. FMAD1593 SMA male to SMA male coaxial adapter from Fairview has a 45-degree angled body ideal for routing RF/Microwave signals in tight spaces. Additionally, RF adapters can be utilized to protect connectors on expensive equipment where the number of connect and disconnect cycles is high.

Fairview SMA male to SMA male adapter is part of over one million RF microwave and millimeter wave components in stock. 45-degree angle RF SMA adapter is ready for same day purchase and shipping worldwide. We also stock and/or custom build SMA coaxial cables that ship quickly from our facility for all your RF adapter component needs.



### Configuration:

- SMA Male Connector 1
- SMA Male Connector 2
- 50 Ohm
- 45 Degree Body Geometry

### Features:

- VSWR of 1.15:1 max up to 27 GHz
- Gold over Nickel Plated Beryllium Copper Contact

### Applications:

- General Purpose Test

### Electrical Specifications

| Description     | Min | Typ | Max    | Units |
|-----------------|-----|-----|--------|-------|
| Frequency Range | DC  |     | 27     | GHz   |
| VSWR            |     |     | 1.15:1 |       |

### Specifications by Frequency

| Description         | F1      | F2     | F3     | F4      | F5       | Units |
|---------------------|---------|--------|--------|---------|----------|-------|
| Frequency Range     | DC to 1 | 1 to 4 | 4 to 8 | 8 to 12 | 12 to 27 | GHz   |
| Insertion Loss, Max | 0.06    | 0.12   | 0.17   | 0.208   | 0.312    | dB    |

### Mechanical Specifications

#### Size

|        |                    |
|--------|--------------------|
| Length | 1.01 in [25.65 mm] |
| Width  | 0.33 in [8.38 mm]  |
| Height | 0.60 in [15.27 mm] |
| Weight | 0.02 lbs [9.07 g]  |

| Description | Connector 1 | Connector 2 |
|-------------|-------------|-------------|
| Type        | SMA Male    | SMA Male    |
| Polarity    | Standard    | Standard    |

Fairview Microwave  
301 Leora Ln., Suite 100  
Lewisville, TX 75056  
Tel: 1-800-715-4396 / (972) 649-6678  
Fax: (972) 649-6689  
[www.fairviewmicrowave.com](http://www.fairviewmicrowave.com)  
[sales@fairviewmicrowave.com](mailto:sales@fairviewmicrowave.com)

### Material Specifications

| Description           | Connector 1                | Connector 2                |
|-----------------------|----------------------------|----------------------------|
| Type                  | SMA Male                   | SMA Male                   |
| Contact Material      | Beryllium Copper           | Beryllium Copper           |
| Contact Plating       | Gold over Nickel           | Gold over Nickel           |
| Body Material         | Passivated Stainless Steel | Passivated Stainless Steel |
| Coupling Nut Material | Passivated Stainless Steel | Passivated Stainless Steel |

### Environmental Specifications

#### Temperature

Operating Range

Humidity

Thermal Shock

Salt Spray

-65 to +165 deg C

MIL-STD-202, Method 206

MIL-STD-202, Method 107, Condition B

MIL-STD-202, Method 101, Condition B

### Compliance Certifications (see [product page](#) for current document)

### Plotted and Other Data

Notes:

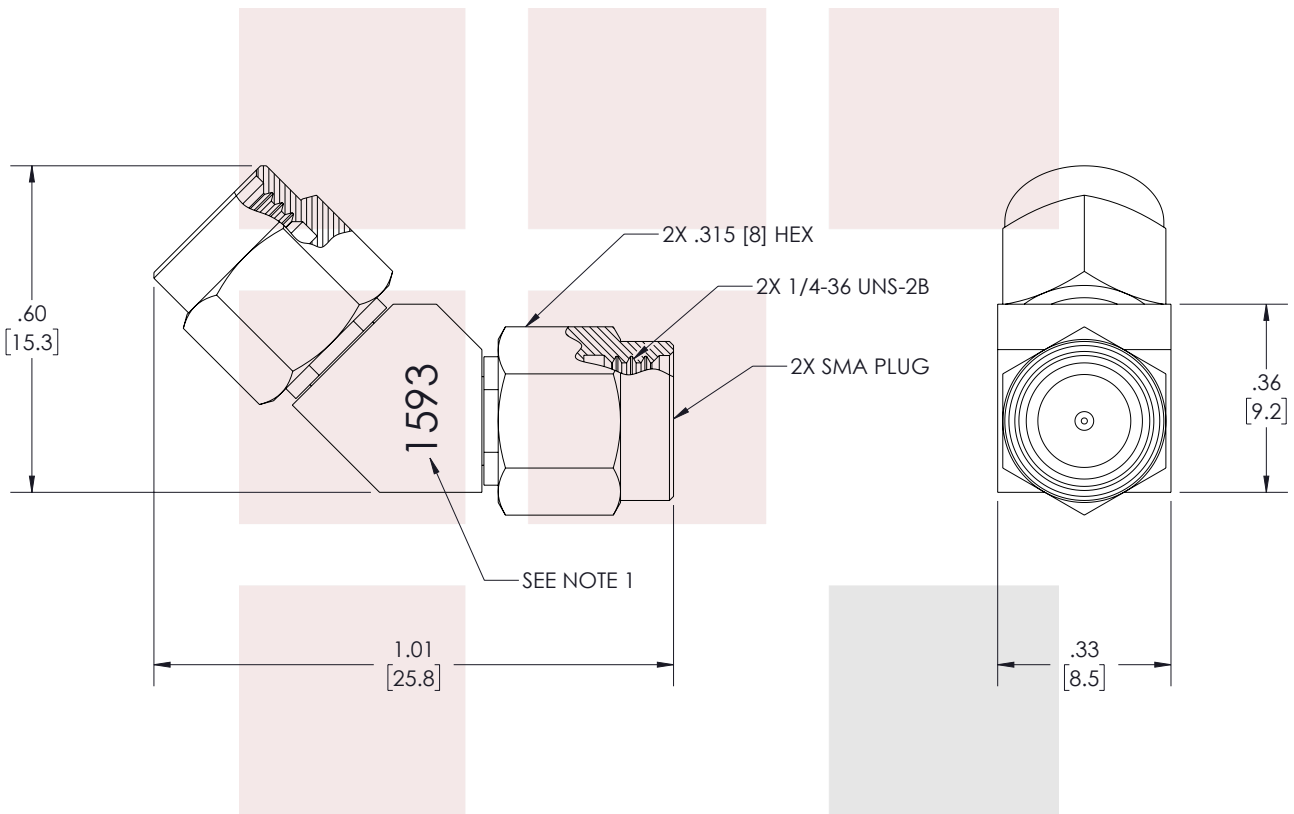
RF Adapter, 45 Degree Angle SMA plug to SMA plug 27GHz VSWR1.15 from Fairview Microwave is in-stock and available to ship same-day. All of our RF/microwave products are available off-the-shelf from our ISO 9001:2008 certified facilities in Lewisville, Texas. Fairview Microwave is RF on-demand.

For additional information on this product, please click the following link: [RF Adapter, 45 Degree Angle SMA plug to SMA plug 27GHz VSWR1.15 FMAD1593](#)

URL: <https://www.fairviewmicrowave.com/angle-undefined-sma-male-to-sma-male-adapter-mil-std-202-method-206-with-passivated-stainless-steel-body-fmad1593-p.aspx>

The information contained in this document is accurate to the best of our knowledge and representative of the part described herein. It may be necessary to make modifications to the part and/or the documentation of the part, in order to implement improvements. Fairview Microwave reserves the right to make such changes as required. Unless otherwise stated, all specifications are nominal. Fairview Microwave does not make any representation or warranty regarding the suitability of the part described herein for any particular purpose, and Fairview Microwave does not assume any liability arising out of the use of any part or documentation.

| REVISIONS |                 |            |          |
|-----------|-----------------|------------|----------|
| REV.      | DESCRIPTION     | DATE       | APPROVED |
| A         | INITIAL RELEASE | 11/03/2022 | DWANG    |



- NOTES:  
1. ITEM IS MARKED WITH ITEM NUMBER APPROXIMATELY WHERE SHOWN.

THESE COMMODITIES, TECHNOLOGY OR SOFTWARE WERE EXPORTED FROM THE UNITED STATES IN ACCORDANCE WITH THE EXPORT ADMINISTRATION REGULATIONS. DIVERSION CONTRARY TO U.S. LAW PROHIBITED.

|   |   |   |                              |   |  |
|---|---|---|------------------------------|---|--|
| <p><b>Fairview Microwave</b><br/>an INFINIT<sup>®</sup> brand</p>                             | UNLESS OTHERWISE SPECIFIED LEADING DIMENSIONS ARE INCHES<br>DIMENSIONS IN [ ] ARE MILLIMETERS |   | THIRD-ANGLE PROJECTION<br>   |   |  |
|   | TOLERANCES:   |   | CABLE LENGTH (L) TOLERANCES: |   |  |
| .X = ±.2 [5.08] FRACTIONS ± 1/32<br>.XX = ±.02 [.51] ± 1/32<br>.XXX = ±.005 [.13] ANGLES ± 1° |   | L ≤ 12 [305] = +1 [25] / -0<br>12 [305] < L ≤ 60 [1524] = +2 [51] / -0<br>60 [1524] < L ≤ 120 [3048] = +4 [102] / -0<br>120 [3048] < L ≤ 300 [7620] = +6 [152] / -0<br>300 [7620] < L = +5%L / -0 |                              | THE INFORMATION AND DESIGN IN THIS DOCUMENT IS THE PROPERTY OF FAIRVIEW MICROWAVE CORPORATION. ALL RIGHTS RESERVED. |  |
| TITLE<br>RF Adapter, 45 Degree Angle SMA plug to SMA plug<br>27GHz VSWR1.15                   |   |   | SHEET 1 OF 1                 |   |  |
| ALL DIMENSIONS SHOWN ARE FOR REFERENCE ONLY.  |   |   | SCALE<br>N/A                 |   |  |
| SIZE<br>A   | CAGE CODE<br>3FKR5  | DRAWN BY<br>AKRESOWSKI  | ITEM NO.<br>FMAD1593         | REV<br>A  |  |

T-Rev.D