

2 dB NF, 18 GHz to 26.5 GHz, Low Noise Broadband Amplifier with 13 dBm, 40 dB Gain, 22 dBm IP3 and 2.92mm

The FMAM3260 is a Broadband High Gain GaAs PHEMT MMIC-based coaxial Low Noise Amplifier, operating in the 18 to 26.5 GHz frequency range. The amplifier offers 2 dB Noise Figure, 13 dBm of P1dB and 40 dB small signal gain, with gain flatness of ± 1.0 dB, along with 22 dBm IP3 performance. This low noise amplifier requires only a single positive DC supply, is unconditionally stable, operates over the temperature range of -40°C to 85°C , and is characterized by light weight (25 g) and small size (1.5"x1.0"x0.4").

Electrical Specifications (TA = $+25^{\circ}\text{C}$, DC Voltage = 12Volts, DC Current = 180mA)

Description	Min	Typ	Max	Unit
Frequency Range	18		26.5	GHz
Gain	38	40	43	dB
Gain Flatness		± 1	± 1.5	dB
Gain Variance at OTR*		± 1		dB
P1dB	+12	+13		dBm
IP3	+20	+22		dBm
Reverse Isolation	55	60		dB
Spurious		-60		dBc
Noise Figure		2	2.5	dB
Input VSWR		1.5:1	1.8:1	
Output VSWR		1.5:1	1.8:1	
Operating DC Voltage	10	12	15	Volts
Operating DC Current	150	180	220	mA
Operating Temperature Range (OTR)	-40		+85	$^{\circ}\text{C}$

*OTR= Base Plate Operating Temperature Range

Absolute Maximum Rating

Parameter	Rating	Units
Source Voltage	+18	Volts
RF input Power	-5	dBm
Operating Temperature (base-plate)	-40 to +85	$^{\circ}\text{C}$
Storage Temperature	-55 to +125	$^{\circ}\text{C}$



ESD Sensitive Material, Transport material in Approved ESD bags. Handle only in approved ESD Workstation.

Mechanical Specifications

Size	
Length	1.5 in [38.1 mm]
Width	1 in [25.4 mm]
Height	0.4 in [10.16 mm]
Input Connector	2.92mm
Output Connector	2.92mm



Features:

- 18 to 26.5 GHz Frequency Range
- Noise Figure: 2 dB typ
- Small Signal Gain: 40 dB typ
- Gain Flatness: ± 1.0 dB typ
- Gain Variation Over the Temperature Range: ± 1.0 dB typ
- P1dB: +13 dBm typ
- IP3: +22 dBm typ
- 50 Ohm Input and Output Matched
- -40 to $+85^{\circ}\text{C}$ Operating Temperature
- Unconditionally Stable
- Single DC Positive Supply
- Built-in DC Voltage Regulator
- Small Size & Light Weight

Applications:

- Laboratory Applications
- R&D Labs
- Electronic Warfare
- Telecom Infrastructure
- Test Instrumentation
- Military & Space
- Communication Systems
- Satellite Communications
- Wireless Communications
- Unmanned Systems
- Microwave Radio Systems
- Low Noise Amplifier
- General Purpose Amplification
- RF Front Ends

Fairview Microwave
1130 Junction Dr. #100
Allen, TX 75013
Tel: 1-800-715-4396 / (972) 649-6678
Fax: (972) 649-6689
www.fairviewmicrowave.com
sales@fairviewmicrowave.com

Environmental Specifications

Temperature

Operating Range -40 to +85 deg C
 Storage Range -45 to +125 deg C

Compliance Certifications (visit www.FairviewMicrowave.com for current document)

RoHS Compliant Yes

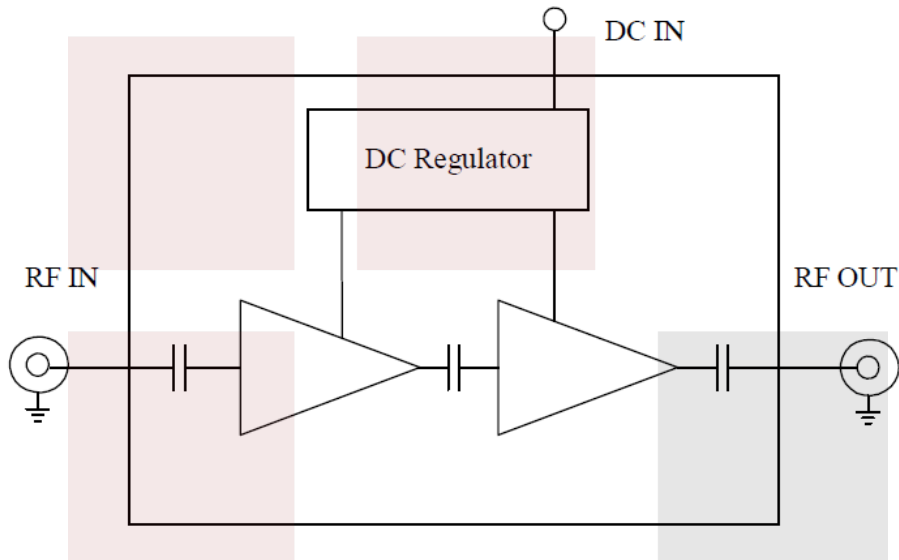
Plotted and Other Data

Notes:

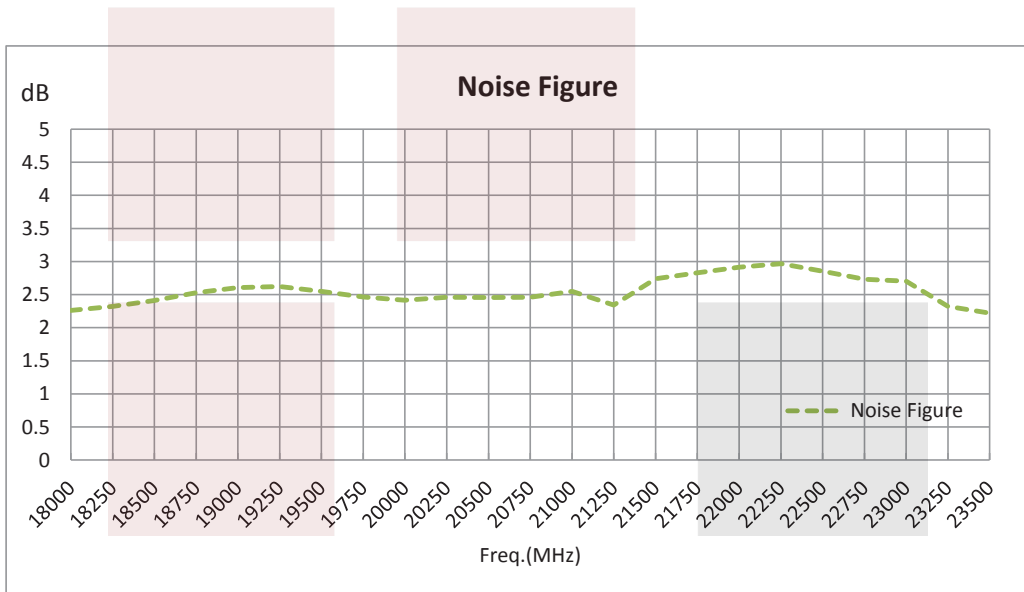
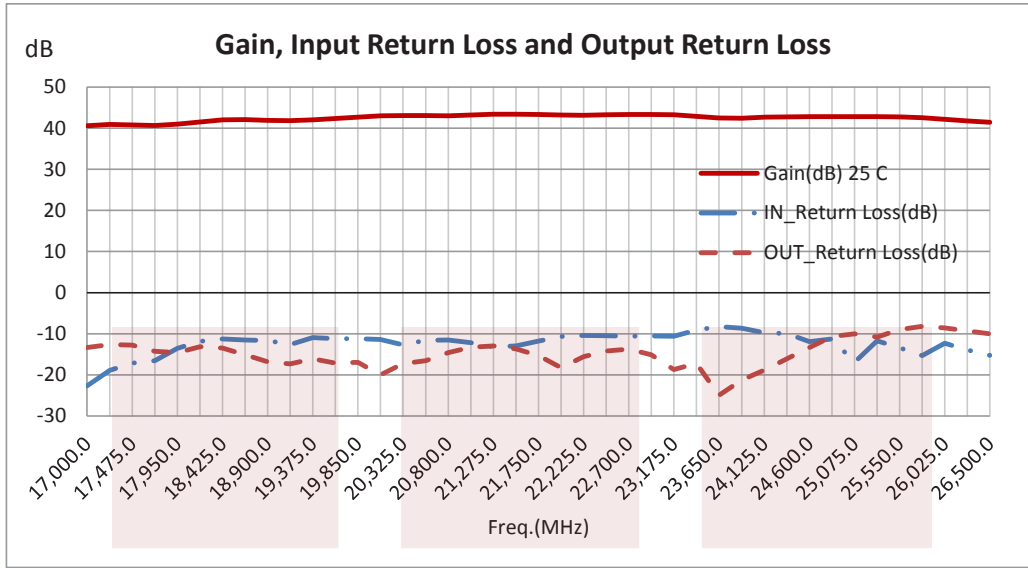
- Values at 25 °C, sea level
- ESD Sensitive Material, Transport material in Approved ESD bags. Handle only in approved ESD Workstation.



Functional Block Diagram



Typical Performance Data

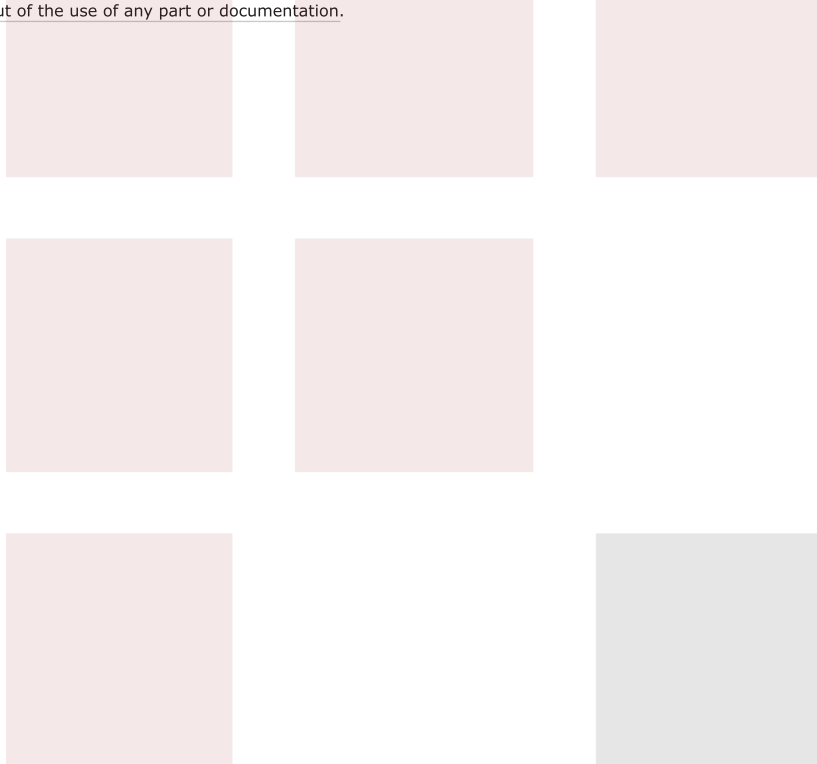


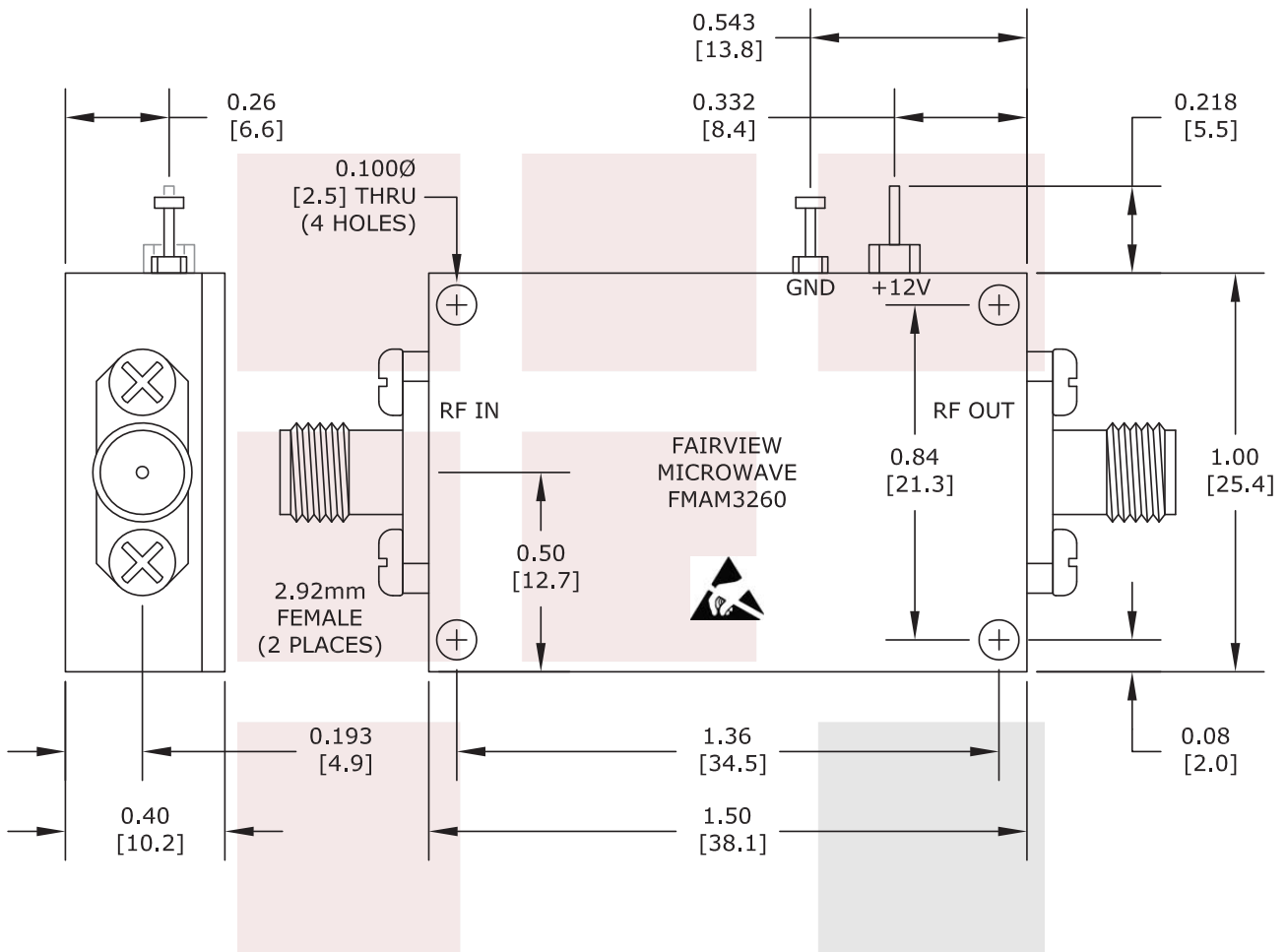
2 dB NF, 18 GHz to 26.5 GHz, Low Noise Broadband Amplifier with 13 dBm, 40 dB Gain, 22 dBm IP3 and 2.92mm from Fairview Microwave is in-stock and available to ship same-day. All of our RF/microwave products are available off-the-shelf from our ISO 9001:2008 certified facilities in Allen, Texas. Fairview Microwave is RF on-demand.

For additional information on this product, please click the following link: [2 dB NF, 18 GHz to 26.5 GHz, Low Noise Broadband Amplifier with 13 dBm, 40 dB Gain, 22 dBm IP3 and 2.92mm FMAM3260](#)

URL: <http://www.fairviewmicrowave.com/18-26.5-ghz-low-noise-broadband-amplifier-fmam3260-p.aspx>

The information contained in this document is accurate to the best of our knowledge and representative of the part described herein. It may be necessary to make modifications to the part and/or the documentation of the part, in order to implement improvements. Fairview Microwave reserves the right to make such changes as required. Unless otherwise stated, all specifications are nominal. Fairview Microwave does not make any representation or warranty regarding the suitability of the part described herein for any particular purpose, and Fairview Microwave does not assume any liability arising out of the use of any part or documentation.





NOTE:
 HEAT SINK REQUIRED FOR PROPER OPERATION,
 UNIT IS COOLED BY CONDUCTING TO HEAT SINK.

FAIRVIEW MICROWAVE INC. ALLEN, TX 75013 WWW.FAIRVIEWMICROWAVE.COM		NOTES: 1. UNLESS OTHERWISE SPECIFIED ALL DIMENSIONS ARE NOMINAL. 2. ALL SPECIFICATIONS ARE SUBJECT TO CHANGE WITHOUT NOTICE AT ANY TIME. 3. DIMENSIONS ARE IN INCHES [mm].			
TITLE 2 dB NF, 18 GHz to 26.5 GHz, Low Noise Broadband Amplifier with 13 dBm, 40 dB Gain, 22 dBm IP3 and 2.92mm		DWG NO FMAM3260		CAGE CODE 3FKR5	
CAD FILE 051415		SHEET		SCALE N/A	
		SIZE A		2233	