

2400-2500, 5150-5850, 6000-7125 MHz Flat Panel MIMO Antenna, 11 dBi Gain, 8 RP SMA Male Connectors

The FMANFP1043 Wi-Fi 6e Antenna from Fairview Microwave is a high performance directional antenna designed for the 2400 MHz to 7125 MHz bands and is available to ship same day. It is a UV protected, outdoor rated antenna with directional pattern. The FMANFP1043 is ideally suited for 802.11 protocols including 802.11ax as well as Zigbee, Bluetooth and is 8x8 MIMO capable.

The Fairview Microwave high performance FMANFP1043 is a rugged antenna providing broad coverage, low latency, increased network capacity and 11 dBi gain. This 8 port RPSMA Male directional antenna is suitable for commercial radios and access points in public and private networks that are equipped with Reverse Polarity SMA Type connectors.

This Wi-Fi 6e FMANFP1043 antenna with 8 RPSMA Male connectors, as well as our wide selection of superior quality RF parts, ships same day. Contact our knowledgeable and friendly technical support and sales staff for your answers on antennas or other Fairview Microwave products.

Configuration

Design	Flat Panel
Gain	9 dBi
Polarization	Vertical
Cable Type	RG58/U
Cable Length	36 in [914.4 mm]
Connector Type	SMA Male Reverse Polarity
Number of Ports	8
Lightning Protection	DC Ground

Electrical Specifications

Description	Min	Typ	Max	Units
Frequency Range	2,400		7,125	MHz
Input VSWR			2:1	
Impedance		50		Ohms
Input Power			50	Watts

Specifications by Frequency

Description	Band 1	Band 2	Band 3	Band 4	Band 5	Units
Range	2.4-2.5	5.15-5.85	6-7.125			GHz
Gain	9	11	11			dBi
Horiz. Beam Width	120	115	110			Degrees
Vert. Beam Width	28	15	12			Degrees



Features:

- Reverse Polarity SMA (RP-SMA) Male Connector
- 8 x Vertical Polarization
- 8x8 MIMO Functionality
- Outdoor Rated Flat Panel Antenna
- 2.4 GHz, 5 GHz, 6 GHz Wi-Fi Bands
- 11 dBi gain

Applications:

- Infotainment systems, Routers, Wi-Fi hotspots, HD video transmission, Gateways, Dash cameras, Public transportation
- Connected cars or self-driving cars, Fleet management, Logistics
- Public Safety Networks
- Zigbee, Bluetooth, Wi-Fi

Fairview Microwave
301 Leora Ln., Suite 100
Lewisville, TX 75056
Tel: 1-800-715-4396 / (972) 649-6678
Fax: (972) 649-6689
www.fairviewmicrowave.com
sales@fairviewmicrowave.com

Mechanical Specifications

Radome Material	UV Resistant ABS
Size	
Length	24.25 in [615.95 mm]
Width	19 in [482.6 mm]
Height	2.55 in [64.77 mm]
Weight	13.01 lbs [5.9 kg]
Color	White

Environmental Specifications

Temperature

Operating Range -40 to +70 deg C

Humidity 5 to 95

Compliance Certifications (see [product page](#) for current document)

Plotted and Other Data

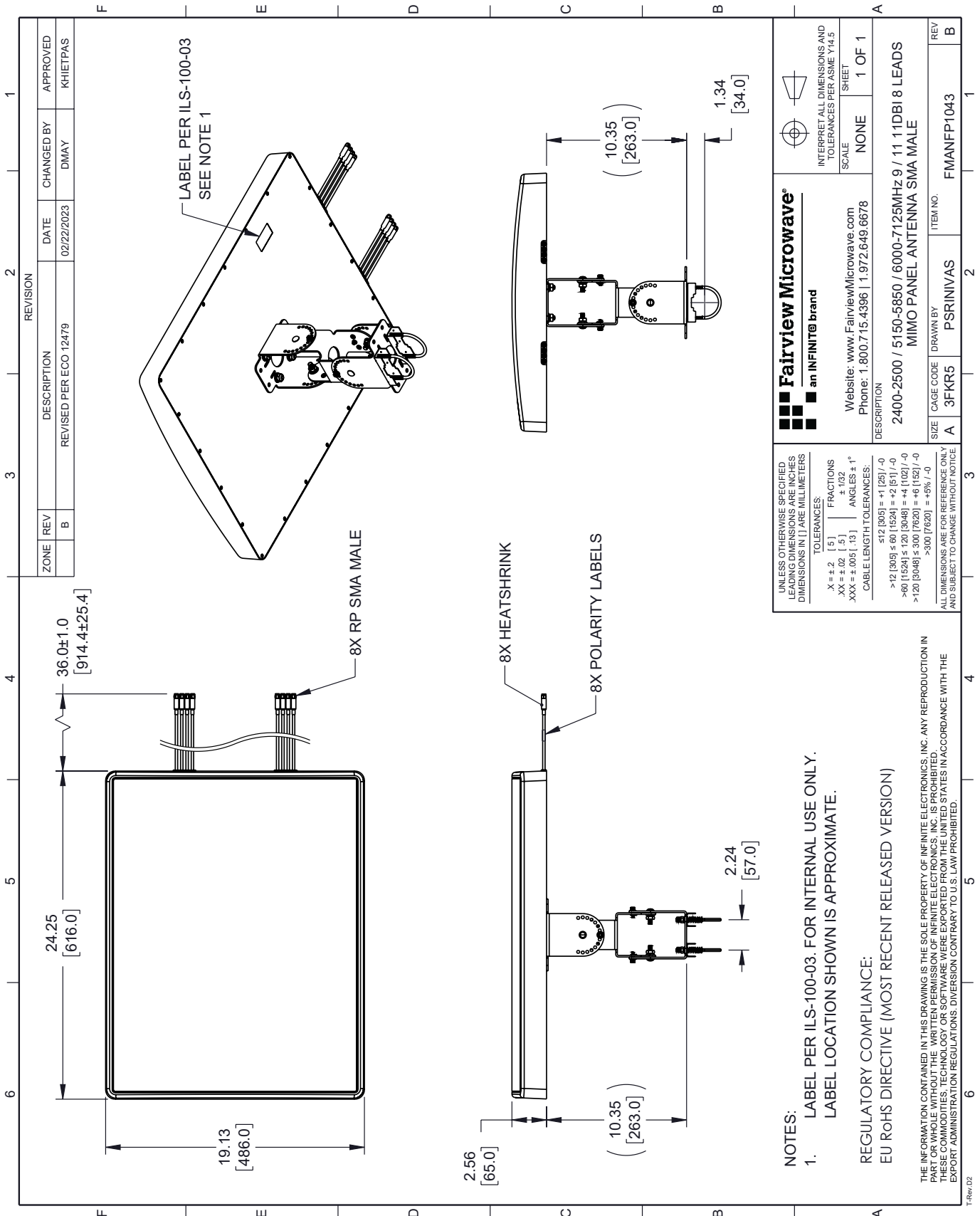
Notes:

2400-2500, 5150-5850, 6000-7125 MHz Flat Panel MIMO Antenna, 11 dBi Gain, 8 RP SMA Male Connectors from Fairview Microwave is in-stock and available to ship same-day. All of our RF/microwave products are available off-the-shelf from our ISO 9001:2008 certified facilities in Lewisville, Texas. Fairview Microwave is RF on-demand.

For additional information on this product, please click the following link: [2400-2500, 5150-5850, 6000-7125 MHz Flat Panel MIMO Antenna, 11 dBi Gain, 8 RP SMA Male Connectors FMANFP1043](#)

URL: <https://www.fairviewmicrowave.com/2400-2500-5150-5850-6000-7125-mhz-flat-panel-mimo-antenna-11-dbi-gain-8-rp-sma-male-connectors-fmanfp1043-p.aspx>

The information contained in this document is accurate to the best of our knowledge and representative of the part described herein. It may be necessary to make modifications to the part and/or the documentation of the part, in order to implement improvements. Fairview Microwave reserves the right to make such changes as required. Unless otherwise stated, all specifications are nominal. Fairview Microwave does not make any representation or warranty regarding the suitability of the part described herein for any particular purpose, and Fairview Microwave does not assume any liability arising out of the use of any part or documentation.



ZONE		REVISION		APPROVED	
B		DESCRIPTION	DATE	CHANGED BY	
		REVISED PER ECO 12479	02/22/2023	DMAY	KHIETPAS

Fairview Microwave an INFINIT [®] brand Website: www.FairviewMicrowave.com Phone: 1.800.715.4396 1.972.649.6678		INTERPRET ALL DIMENSIONS AND TOLERANCES PER ASME Y14.5 SCALE: NONE SHEET: 1 OF 1	
DESCRIPTION: 2400-2500 / 5150-5850 / 6000-7125MHz 9 / 11 11DBI 8 LEADS MIMO PANEL ANTENNA SMA MALE		ITEM NO.: FMANFP1043	
SIZE: A	CAGE CODE: 3FKR5	DRAWN BY: PSRINIVAS	REV: B

UNLESS OTHERWISE SPECIFIED, LEADING DIMENSIONS ARE IN INCHES DIMENSIONS IN [] ARE MILLIMETERS

TOLERANCES:
 .X ± .2 [5] FRACTIONS ± .132
 .XX ± .02 [.5] ANGLES ± 1°
 .XXX ± .005 [.13]
 CABLE LENGTH TOLERANCES:
 >12 [305] ≤ 60 [1524] = +1 [25] / -0
 >60 [1524] ≤ 120 [3048] = +4 [102] / -0
 >120 [3048] ≤ 300 [7620] = +6 [152] / -0
 >300 [7620] = +5% / -0

ALL DIMENSIONS ARE FOR REFERENCE ONLY AND SUBJECT TO CHANGE WITHOUT NOTICE

NOTES:
 1. LABEL PER ILS-100-03. FOR INTERNAL USE ONLY. LABEL LOCATION SHOWN IS APPROXIMATE.

REGULATORY COMPLIANCE:
 EU RoHS DIRECTIVE (MOST RECENT RELEASED VERSION)

THE INFORMATION CONTAINED IN THIS DRAWING IS THE SOLE PROPERTY OF INFINITE ELECTRONICS, INC. ANY REPRODUCTION IN PART OR WHOLE WITHOUT THE WRITTEN PERMISSION OF INFINITE ELECTRONICS, INC. IS PROHIBITED. THESE COMMODITIES, TECHNOLOGY OR SOFTWARE WERE EXPORTED FROM THE UNITED STATES IN ACCORDANCE WITH THE EXPORT ADMINISTRATION REGULATIONS. DIVERSION CONTRARY TO U.S. LAW PROHIBITED.