

3400-3600 MHz, 14 dBi, Gain, V-pol, Type N Female

The Log Periodic antenna FMANLP1010 from Fairview Microwave is a high-performance RF component which operates from 3400 to 3600 MHz with 14 dBi of gain. FMANLP1010 is ideal for applications where directivity and coverage are very important like for point-to-point applications, 5G, LTE, CMDA, LoRA, IoT, WIFI. For long distance directional communication over a wide range of frequencies FMANLP1010 is best.

The FMANLP1010 has a 9 inches long pigtail terminated with 1 Type N Female connector. The log periodic FMANLP1010 has 27 vertical beamwidth and 30 horizontal beamwidth. This antenna has Vertical polarization and the included mounting brackets allow for either vertical or horizontal mounting configurations with easy install instructions. Log periodic antennas function as boosters where the existing cellular signal is weak and needs to reach further distances.

Fairview Microwave's 3400 to 3600 MHz log periodic antenna FMANLP1010 antennas has 14 dBi max gain for 5G DAS networks operate in bands n48, n77, n78. This 5G directional log periodic antenna with N Female Type connector is in stock and ready to ship the same day. Contact our knowledgeable and friendly technical support and sales staff for your answers on antennas or other Fairview Microwave products.

Configuration

Design	Log Periodic
Gain	14 dBi
Polarization	Vertical
Cable Type	Coax Cable
Cable Length	9.06 in [230.12 mm]
Connector Type	N Female
Number of Ports	1

Electrical Specifications

Description	Min	Typ	Max	Units
Frequency Range	3,400		3,600	MHz
Input VSWR			1.5:1	
Impedance		50		Ohms
Gain			14	dBi
Front to Back Ratio		16		dB
Input Power			100	Watts

Specifications by Frequency

Description	Band 1	Band 2	Band 3	Band 4	Band 5	Units
Range	3.4-3.6					GHz
Gain	14					dBi
Horiz. Beam Width	30					Degrees
Vert. Beam Width	27					Degrees
VSWR	1.5:1					
Max Input Power	100					Watts



Features:

- Frequency coverage for 3400 MHz to 3600 MHz
- Very High Gain 14 dBi Directional Antenna
- Each connector covers wide band of frequencies
- Easy Install universal mounting bracket provided
- Weatherproof ABS radome
- Pigtail – 9 inches
- N-Type Female connector

Applications:

- Point-to-point, LTE-M, NB-IoT, IoT, M2M applications
- 5G / 4G LTE B22 / CBRS operation supported
- 5G Bands supported - n48, n77, n78
- DAS (Distributed Antenna Systems)
- Public safety, utilities, CCTV and local radio coverage
- Smart cities expansion for coverage and IOT / IIOT

Fairview Microwave
 301 Leora Ln., Suite 100
 Lewisville, TX 75056
 Tel: 1-800-715-4396 / (972) 649-6678
 Fax: (972) 649-6689
www.fairviewmicrowave.com
sales@fairviewmicrowave.com

Mechanical Specifications

Radome Material	ABS
Size	
Length	16.5 in [419.1 mm]
Width	1.5 in [38.1 mm]
Height	3.2 in [81.28 mm]
Weight	0.8 lbs [362.87 g]

Environmental Specifications

Temperature	
Operating Range	-40 to +65 deg C
Wind Loading	130.5 MPH [210.02 KPH]

Compliance Certifications (see [product page](#) for current document)

Plotted and Other Data

Notes:

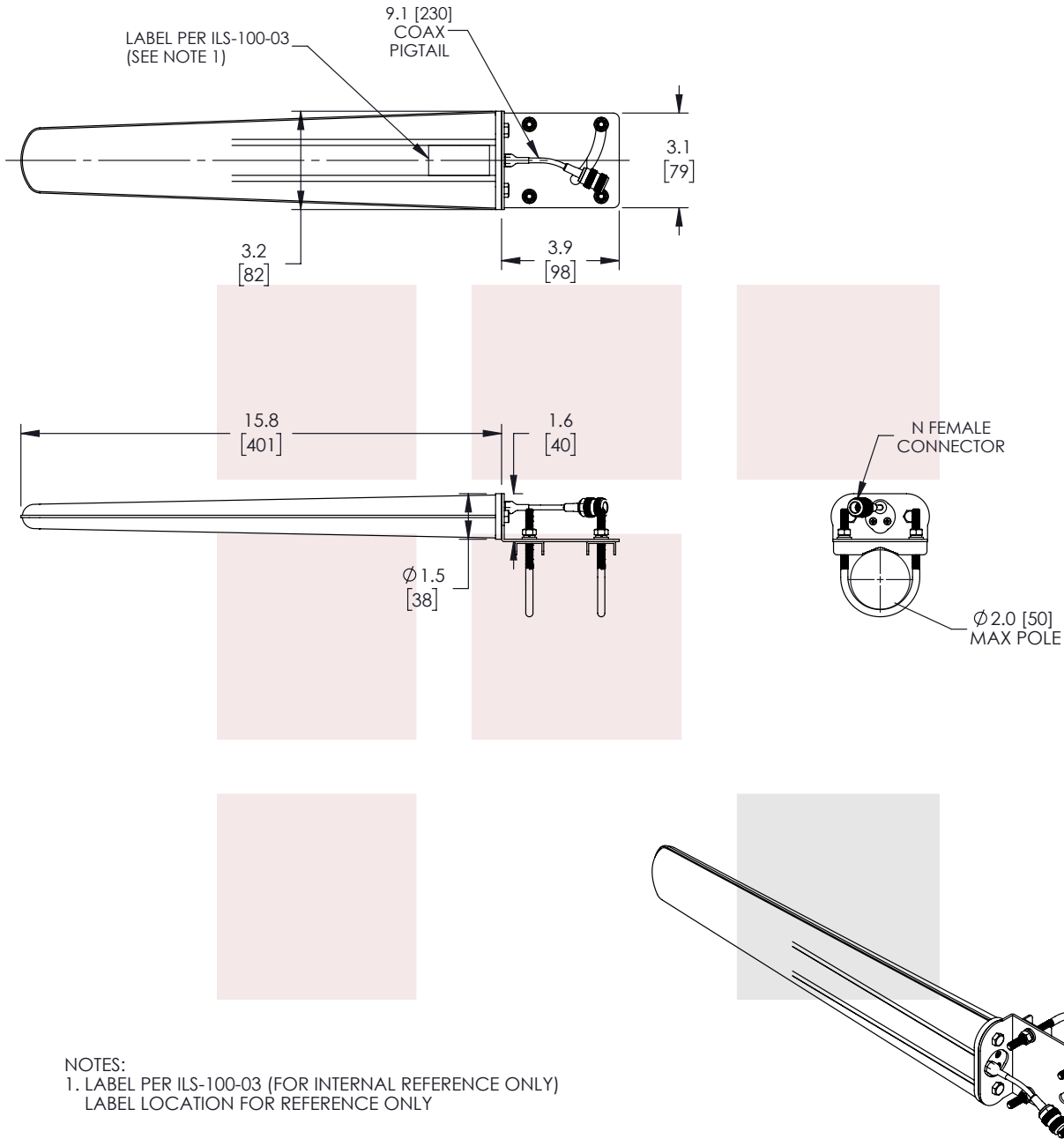
3400-3600 MHz, 14 dBi, Gain, V-pol, Type N Female from Fairview Microwave is in-stock and available to ship same-day. All of our RF/microwave products are available off-the-shelf from our ISO 9001:2008 certified facilities in Lewisville, Texas. Fairview Microwave is RF on-demand.

For additional information on this product, please click the following link: [3400-3600 MHz, 14 dBi, Gain, V-pol, Type N Female FMANLP1010](#)

URL: <https://www.fairviewmicrowave.com/multi-band-antenna-0-dbi-n-female-fmanlp1010-p.aspx>

The information contained in this document is accurate to the best of our knowledge and representative of the part described herein. It may be necessary to make modifications to the part and/or the documentation of the part, in order to implement improvements. Fairview Microwave reserves the right to make such changes as required. Unless otherwise stated, all specifications are nominal. Fairview Microwave does not make any representation or warranty regarding the suitability of the part described herein for any particular purpose, and Fairview Microwave does not assume any liability arising out of the use of any part or documentation.

REVISIONS			
REV.	DESCRIPTION	DATE	APPROVED
A	INITIAL RELEASE	03/21/2022	KHIETPAS



NOTES:
1. LABEL PER ILS-100-03 (FOR INTERNAL REFERENCE ONLY)
LABEL LOCATION FOR REFERENCE ONLY

THESE COMMODITIES, TECHNOLOGY OR SOFTWARE WERE EXPORTED FROM THE UNITED STATES IN ACCORDANCE WITH THE EXPORT ADMINISTRATION REGULATIONS. DIVERSION CONTRARY TO U.S. LAW PROHIBITED.

<p>Fairview Microwave an INFINIT[®] brand</p>	<p>UNLESS OTHERWISE SPECIFIED LEADING DIMENSIONS ARE INCHES DIMENSIONS IN [] ARE MILLIMETERS</p> <p>TOLERANCES: CABLE LENGTH (L) TOLERANCES:</p> <table border="0"> <tr> <td>.X = ±.2 [5.08]</td> <td>FRACTIONS</td> <td>L ≤ 12 [305] = +1 [25] / -0</td> </tr> <tr> <td>.XX = ±.02 [.51]</td> <td>± 1/32</td> <td>12 [305] < L ≤ 60 [1524] = +2 [51] / -0</td> </tr> <tr> <td>.XXX = ±.005 [.13]</td> <td>ANGLES ± 1°</td> <td>60 [1524] < L ≤ 120 [3048] = +4 [102] / -0</td> </tr> <tr> <td></td> <td></td> <td>120 [3048] < L ≤ 300 [7620] = +6 [152] / -0</td> </tr> <tr> <td></td> <td></td> <td>300 [7620] < L = +5%L / -0</td> </tr> </table>		.X = ±.2 [5.08]	FRACTIONS	L ≤ 12 [305] = +1 [25] / -0	.XX = ±.02 [.51]	± 1/32	12 [305] < L ≤ 60 [1524] = +2 [51] / -0	.XXX = ±.005 [.13]	ANGLES ± 1°	60 [1524] < L ≤ 120 [3048] = +4 [102] / -0			120 [3048] < L ≤ 300 [7620] = +6 [152] / -0			300 [7620] < L = +5%L / -0	<p>THIRD-ANGLE PROJECTION</p> <p>THE INFORMATION AND DESIGN IN THIS DOCUMENT IS THE PROPERTY OF FAIRVIEW MICROWAVE CORPORATION. ALL RIGHTS RESERVED.</p>
	.X = ±.2 [5.08]	FRACTIONS	L ≤ 12 [305] = +1 [25] / -0															
.XX = ±.02 [.51]	± 1/32	12 [305] < L ≤ 60 [1524] = +2 [51] / -0																
.XXX = ±.005 [.13]	ANGLES ± 1°	60 [1524] < L ≤ 120 [3048] = +4 [102] / -0																
		120 [3048] < L ≤ 300 [7620] = +6 [152] / -0																
		300 [7620] < L = +5%L / -0																
<p>TITLE</p> <p>3400-3600 MHz, 14 dBi, Gain, V-pol, Type N Female</p>	<p>ALL DIMENSIONS SHOWN ARE FOR REFERENCE ONLY.</p>		<p>SHEET 1 OF 1</p> <p>SCALE N/A</p>															
<p>SIZE A</p>	<p>CAGE CODE 3FKR5</p>	<p>DRAWN BY K.GLEBOVA</p>	<p>ITEM NO. FMANLP1010</p> <p>REV A</p>															

T-Rev.D