

**4 Cellular, 1 GPS Combination Antenna 4 N Type,
1 SMA Connector Black**

Description

The Fairview Microwave FMANOM1112 is a 5-in-1 combination antenna designed for public safety, emergency services, mobile base stations, autonomous vehicles, fleet management, smart cities, smart utilities, or industrial IoT applications. This vertically polarized omnidirectional antenna has SMA male and N male connectors with 17 feet cable leads. Our high-quality mobile antenna with 5 ports has a typical input VSWR of 2:1.

The IoT combination antenna from Fairview Microwave has an overall length of 7 inches, width of 7 inches, and weight of 4 lbs. This FMANOM1112 mobile antenna is IP69K-rated and has a black-colored radome made of UV-stabilized ABS. The 4 cellular, 1 GPS combination antenna has an impedance of 50 Ohms and a maximum input power of 10 Watts.

Our vertically polarized mobile antenna can operate at temperatures ranging from -40 to 70 degrees C. This MIMO-capable IoT antenna features four 4G/5G, and one L1/G1 GPS band elements in one radome. Emergency services, first responders, and fleets can rely on our 5-in-1 combination antenna to maintain a secure link between vehicles and dispatch centers.

Configuration

Design	Mobile
Polarization	Vertical
Connector Type	N Male
Interface 2	SMA Male
Number of Ports	5

Electrical Specifications

Description	Min	Typ	Max	Units
Input VSWR		2:1		
Impedance		50		Ohms
Input Power			10	Watts



Features:

- 4 x Cellular 4G/5G N Male
- 1 x GPS L1 / G1 SMA Male
- MIMO Capable
- 17 ft Cable Leads
- Indoor/Outdoor IP69K Rated
- UV Stabilized Black ABS

Applications:

- Public Safety
- Emergency Services
- Mobile Base Stations
- Autonomous Vehicles
- Fleet Management
- Smart Cities
- Smart Utilities
- Industrial IoT

Fairview Microwave
301 Leora Ln., Suite 100
Lewisville, TX 75056
Tel: 1-800-715-4396 / (972) 649-6678
Fax: (972) 649-6689
www.fairviewmicrowave.com
sales@fairviewmicrowave.com

Cellular Specifications					
Frequency Range	617 - 960	1690 - 2700	3300 - 4200	4900 - 6000	MHz
Peak Gain	4	6	7	8	dBi
Port Count	4				
Cable Type	RG58				
Cable Length	17 [5]				
Connector Type	N Male				

GPS Specifications					
Frequency Range		1562 - 1612			MHz
VSWR		<2.0:1 ± 4 MHz			
LNA Gain		26			dB
Out of band rejection		>40 dB (@ > +/- 100 MHz)			
Typical Noise Figure		≤ 2.7			dB
Notch Filter rejection @787MHz		24			dB
Operating Voltage		3 - 5			VDC
Typical Current		15			mA
Cable Type / Length		RG174 / 17 ft [5 m]			
Connector Type		SMA Male			

Mechanical Specifications

Radome Material UV Stabilized ABS

Size

Length 7 in [177.8 mm]
 Width 7 in [177.8 mm]
 Height 3.15 in [80.01 mm]
 Weight 4 lbs [1.81 kg]

Environmental Specifications

Temperature

Operating Range -40 to +70 deg C

Ingress Protection IP69K

Compliance Certifications (see [product page](#) for current document)

Plotted and Other Data

Notes:

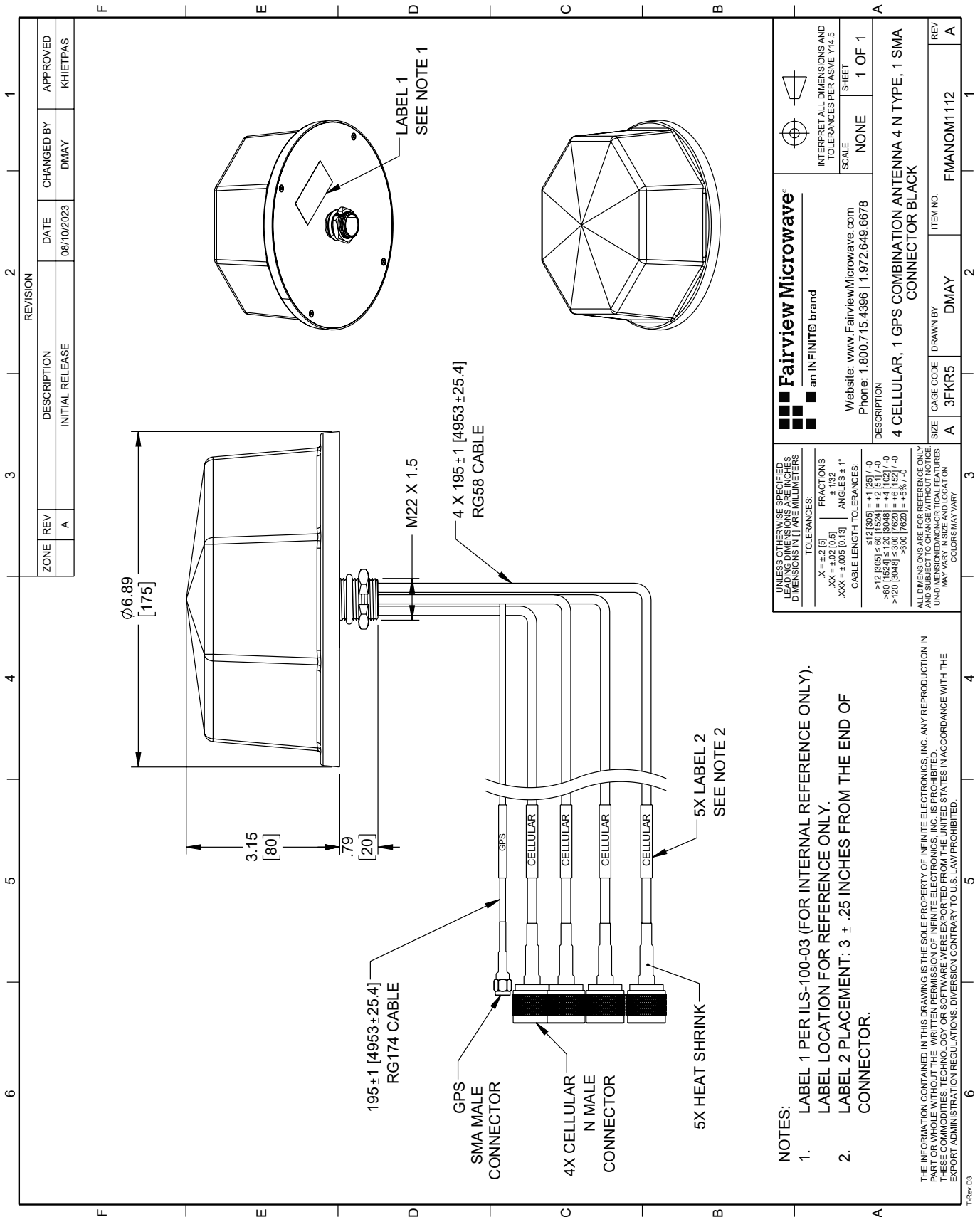
4 Cellular, 1 GPS Combination Antenna 4 N Type, 1 SMA Connector Black from Fairview Microwave is in-stock and available to ship same-day. All of our RF/microwave products are available off-the-shelf from our ISO 9001:2008 certified facilities in Lewisville, Texas. Fairview Microwave is RF on-demand.

For additional information on this product, please click the following link: [4 Cellular, 1 GPS Combination Antenna 4 N Type, 1 SMA Connector Black FMANOM1112](#)

URL: <https://www.fairviewmicrowave.com/dbi-band-mobile-antenna-n-type-connector-fmanom1112-p.aspx>

The information contained in this document is accurate to the best of our knowledge and representative of the part described herein. It may be necessary to make modifications to the part and/or the documentation of the part, in order to implement improvements. Fairview Microwave reserves the right to make such changes as required. Unless otherwise stated, all specifications are nominal. Fairview Microwave does not make any representation or warranty regarding the suitability of the part described herein for any particular purpose, and Fairview Microwave does not assume any liability arising out of the use of any part or documentation.





Fairview Microwave an INFINIT [®] brand Website: www.FairviewMicrowave.com Phone: 1.800.715.4396 1.972.649.6678				INTERPRET ALL DIMENSIONS AND TOLERANCES PER ASME Y14.5 SCALE: NONE SHEET: 1 OF 1	
DESCRIPTION: 4 CELLULAR, 1 GPS COMBINATION ANTENNA 4 N TYPE, 1 SMA CONNECTOR BLACK					
SIZE	CAGE CODE	DRAWN BY	ITEM NO.	REV	
A	3FKR5	DMAY	FMANOM1112	A	

UNLESS OTHERWISE SPECIFIED, LEADING DIMENSIONS ARE IN INCHES AND DIMENSIONS IN [] ARE MILLIMETERS.

TOLERANCES:
 .X = ±.2 [5]
 .XX = ±.02 [0.5]
 .XXX = ±.005 [0.13]
 FRACTIONS ± 1/32
 ANGLES ± 1°
 CABLE LENGTH TOLERANCES:
 ≤ 12 [305] = ±.1 [25] / -0
 ≤ 12 [305] ≤ 60 [1524] = ±.5 [12.7] / -0
 ≤ 60 [1524] ≤ 300 [7620] = ±.6 [15.2] / -0
 > 300 [7620] = ±.8 [20.3] / -0
 > 720 [18288] = ±.8 [20.3] / -0
 > 300 [7620] = +.5% / -0

ALL DIMENSIONS ARE FOR REFERENCE ONLY AND SUBJECT TO CHANGE WITHOUT NOTICE. UNDIMENSIONED NON-CRITICAL FEATURES MAY VARY IN SIZE AND LOCATION. COLORS MAY VARY.

THE INFORMATION CONTAINED IN THIS DRAWING IS THE SOLE PROPERTY OF INFINITE ELECTRONICS, INC. ANY REPRODUCTION IN PART OR WHOLE WITHOUT THE WRITTEN PERMISSION OF INFINITE ELECTRONICS, INC. IS PROHIBITED. THESE COMMODITIES, TECHNOLOGY OR SOFTWARE WERE EXPORTED FROM THE UNITED STATES IN ACCORDANCE WITH THE EXPORT ADMINISTRATION REGULATIONS. DIVERSION CONTRARY TO U.S. LAW PROHIBITED.

NOTES:
 1. LABEL 1 PER ILS-100-03 (FOR INTERNAL REFERENCE ONLY). LABEL LOCATION FOR REFERENCE ONLY.
 2. LABEL 2 PLACEMENT: .3 ± .25 INCHES FROM THE END OF CONNECTOR.