

0 to 10 dB Step Attenuator With a 1 dB Step BNC Female Connectors Rated Up To 2.2 GHz and Up to 2 Watts in a Rotary Design



FMAT1024

Features

- 1 dB steps from 0 to 10 dB Attenuation
- Rotary Dial Control
- ± 0.4 dB Maximum Attenuation Accuracy
- BNC Female Connectors
- -20°C to $+80^{\circ}\text{C}$ Operating Temperature

Applications

- Instrumentation
- Precision Measurements
- Prototyping and Characterization
- Production Systems

Description

The FMAT1024 is a Step Attenuator that has 10 dB of total attenuation with 1 dB step size and rotary dial design across a frequency range from DC to 2.2 GHz. The design is tried and true technology that offers exceptional performance characteristics that include 0.4 dB maximum insertion loss, and a maximum VSWR of 1.4:1 at 2.2 GHz. The design also features excellent attenuation accuracy with ± 0.4 dB typical at 2.2 GHz. The Chem film Aluminum alloy package has BNC Female connectors, and operates within the temperature range of -20°C to 80°C .

Electrical Specifications

Description	Minimum	Typical	Maximum	Units
Frequency Range	DC		2.2	GHz
Impedance		50		Ohms
Insertion Loss			0.4	dB
Attenuation Value		0 to 10		dB
Step Size		1		dB
Step Type		Rotary		
Input Power (CW)			2	Watts
Input Power, Peak 1 μsec Pulse Width			1	kWatts

Specifications by Frequency

Description	F1	F2	F3	F4	F5	Units
Range	DC to 1	1 to 2.2				GHz
Insertion Loss	0.2	0.4				dB
VSWR	1.2:1	1.4:1				
Attenuation Accuracy	0.2	0.4				dB

Mechanical Specifications

Size

Length	2 in [50.8 mm]
Width	1.5 in [38.1 mm]
Height	0 in [0 mm]
Weight	0.452 lbs [205.02 g]
Body Material and Plating	Aluminum, Chem Film

0 to 10 dB Step Attenuator With a 1 dB Step BNC Female Connectors Rated Up To 2.2 GHz and Up to 2 Watts in a Rotary Design



FMAT1024

Connectors

Description	Connector 1	Connector 2
Type	BNC Female	BNC Female

Environmental Specifications

Temperature

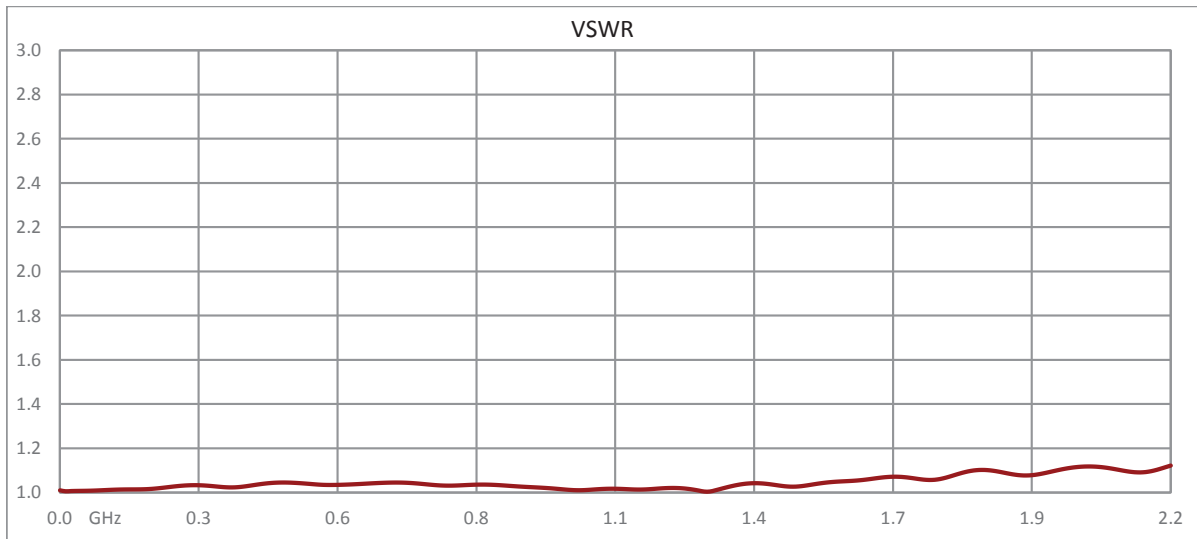
Operating Range -20 to 85 deg C

Compliance Certifications (see [product page](#) for current document)

Plotted and Other Data

Notes:

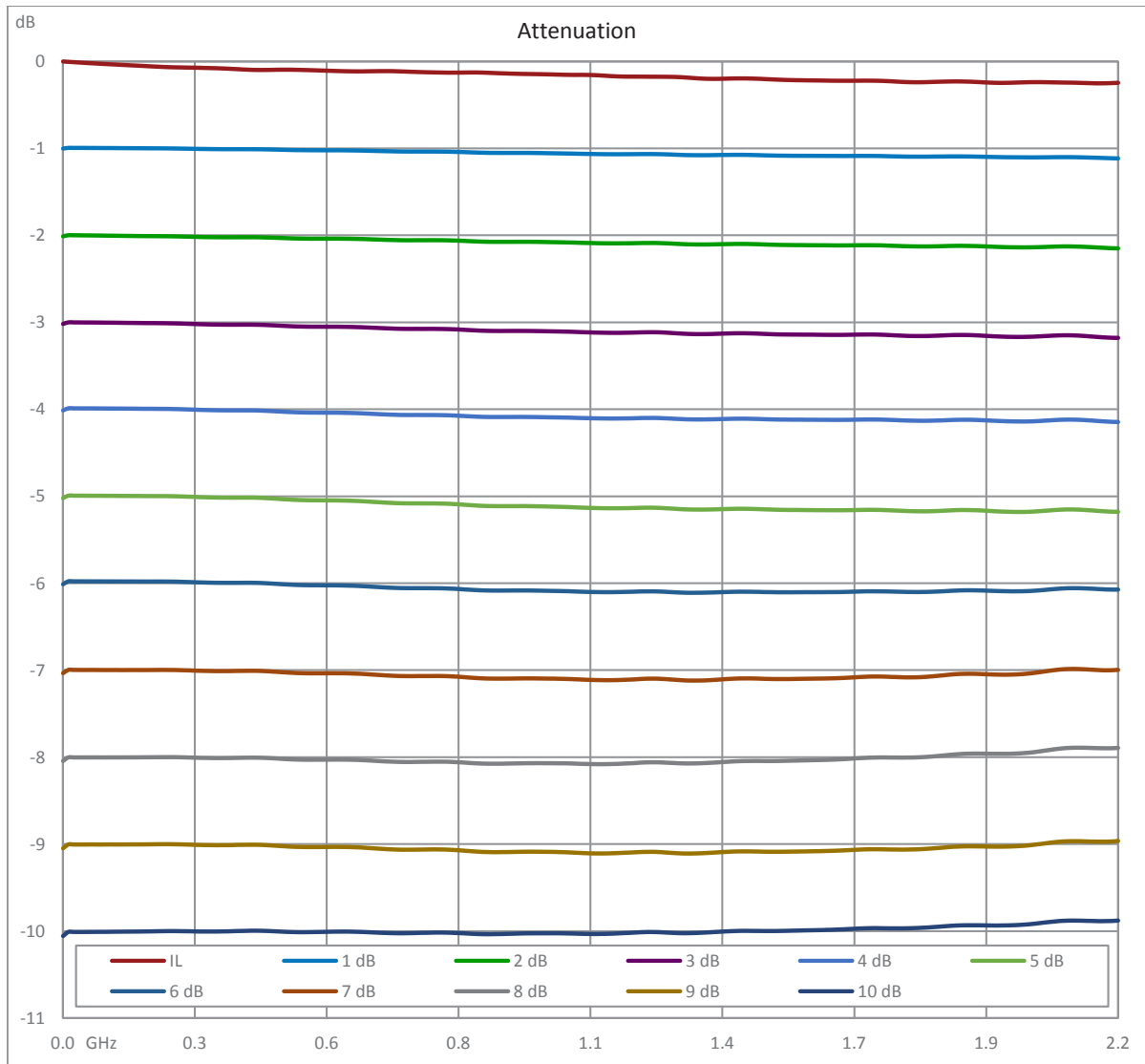
Typical Performance Data



0 to 10 dB Step Attenuator With a 1 dB Step BNC Female Connectors Rated Up To 2.2 GHz and Up to 2 Watts in a Rotary Design



FMAT1024



0 to 10 dB Step Attenuator With a 1 dB Step BNC Female Connectors Rated Up To 2.2 GHz and Up to 2 Watts in a Rotary Design



FMAT1024

0 to 10 dB Step Attenuator With a 1 dB Step BNC Female Connectors Rated Up To 2.2 GHz and Up to 2 Watts in a Rotary Design from Fairview Microwave is in-stock and available to ship same-day. All of our RF/microwave products are available off-the-shelf from our ISO 9001:2008 certified facilities in Lewisville, Texas. Fairview Microwave is RF on-demand.

For additional information on this product, please click the following link: [0 to 10 dB Step Attenuator With a 1 dB Step BNC Female Connectors Rated Up To 2.2 GHz and Up to 2 Watts in a Rotary Design FMAT1024](#)

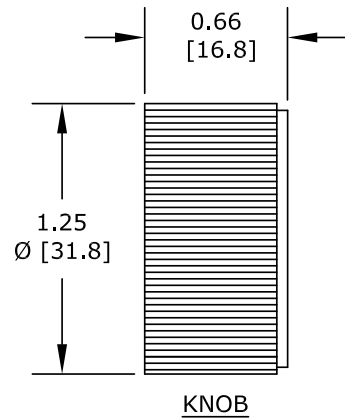
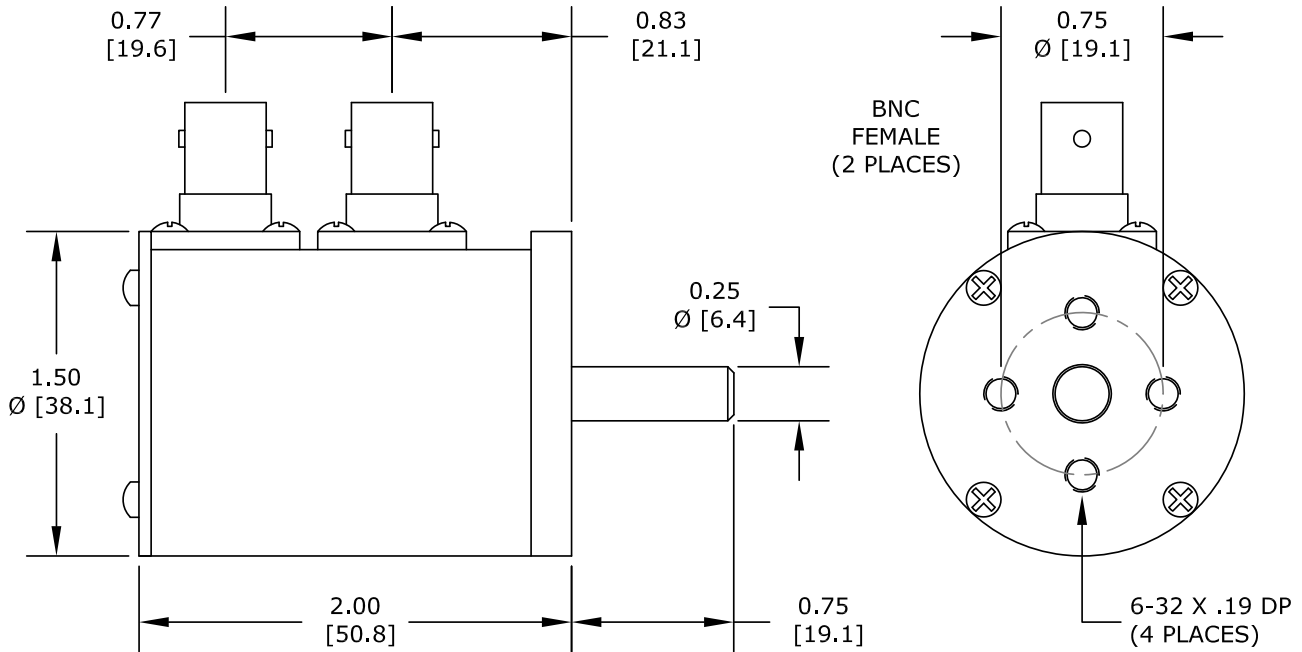
URL: <https://www.fairviewmicrowave.com/10db-step-attenuator-1db-bnc-female-dc-2.2-ghz-2-watts-fmat1024-p.aspx>

The information contained within this document is accurate to the best of our knowledge and representative of the part described herein. It may be necessary to make modifications to the part and/or the documentation of the part in order to implement improvements. Fairview Microwave reserves the right to make such changes as required. Unless otherwise stated, all specifications are nominal. Fairview Microwave does not make any representation or warranty regarding the suitability of the part described herein for any particular purpose, and Fairview Microwave does not assume liability arising out of the use of any part or document.

FMAT1024 CAD Drawing

0 to 10 dB Step Attenuator With a 1 dB Step BNC Female Connectors

Rated Up To 2.2 GHz and Up to 2 Watts in a Rotary Design



STANDARD TOLERANCES
DECIMAL
±0.02

*STANDARD TOLERANCES APPLY
ONLY TO DIMENSIONS IN INCHES

FAIRVIEW MICROWAVE INC.		NOTES: 1. UNLESS OTHERWISE SPECIFIED ALL DIMENSIONS ARE NOMINAL. 2. ALL SPECIFICATIONS ARE SUBJECT TO CHANGE WITHOUT NOTICE AT ANY TIME. 3. DIMENSIONS ARE IN INCHES [mm].			
ALLEN, TX 75013 WWW.FAIRVIEWMICROWAVE.COM		DWG NO FMAT1024		CAGE CODE 3FKR5	
TITLE		CAD FILE	SHEET	SCALE	SIZE
		021417		N/A	A 2233