

0 to 99dB Rotary Step Attenuator, SMA Female to SMA Female With 1 dB Step Rated to 2 Watts Up to 8GHz



FMAT7443-99

Features

- 1 dB steps from 0 to 99 dB Attenuation
- Rotary Dial Control
- SMA Female Connectors
- 0°C to +54°C Operating Temperature
- ±2 dB Typical Attenuation Accuracy

Applications

- Instrumentation
- Precision Measurements
- Prototyping and Characterization
- Production Systems

Description

The FMAT7443-99 is a Step Attenuator that has 99 dB of total attenuation with 1 dB step size and rotary dial design across a frequency range from DC to 8 GHz. The design is tried and true technology that offers exceptional performance characteristics that include 1 dB maximum insertion loss, and a maximum VSWR of 1.5:1 at 8 GHz. The design also features excellent attenuation accuracy with ±2 dB typical at 8 GHz. The Aluminum package has SMA Female connectors, and operates within the temperature range of 0°C to 54°C.

Electrical Specifications

Description	Minimum	Typical	Maximum	Units
Frequency Range	DC		8	GHz
Impedance		50		Ohms
Insertion Loss			1	dB
Attenuation Value		0 to 99		dB
Step Size		1		dB
Step Type		Rotary		
Input Power (CW)			2	Watts
Input Power, Peak 5µs Pulse Width, 1% DutyCycle			200	Watts
VSWR			1.5:1	

Specifications by Frequency

Description	F1	F2	F3	F4	F5	Units
Range	DC to 8					GHz
Attenuation Accuracy	2					dB

Electrical Specification Notes:

Attenuation Accuracy specification is ±3.5% dB typ for any attenuation above 70dB.

Mechanical Specifications

Size

Length	6.417 in [162.99 mm]
Width	1.772 in [45.01 mm]
Height	1.89 in [48.01 mm]
Weight	2.5 lbs [1.13 kg]

0 to 99dB Rotary Step Attenuator, SMA Female to SMA Female With 1 dB Step Rated to 2 Watts Up to 8GHz



FMAT7443-99

Connectors

Description	Connector 1	Connector 2
Type	SMA Female	SMA Female
Contact Material and Plating	Beryllium Copper, Gold	
Body Material and Plating	Stainless Steel	Aluminum

Environmental Specifications

Temperature

Operating Range 0 to 54 deg C

Compliance Certifications (see [product page](#) for current document)

Plotted and Other Data

Notes:

0 to 99dB Rotary Step Attenuator, SMA Female to SMA Female With 1 dB Step Rated to 2 Watts Up to 8GHz from Fairview Microwave is in-stock and available to ship same-day. All of our RF/microwave products are available off-the-shelf from our ISO 9001:2008 certified facilities in Lewisville, Texas. Fairview Microwave is RF on-demand.

For additional information on this product, please click the following link: [0 to 99dB Rotary Step Attenuator, SMA Female to SMA Female With 1 dB Step Rated to 2 Watts Up to 8GHz FMAT7443-99](#)

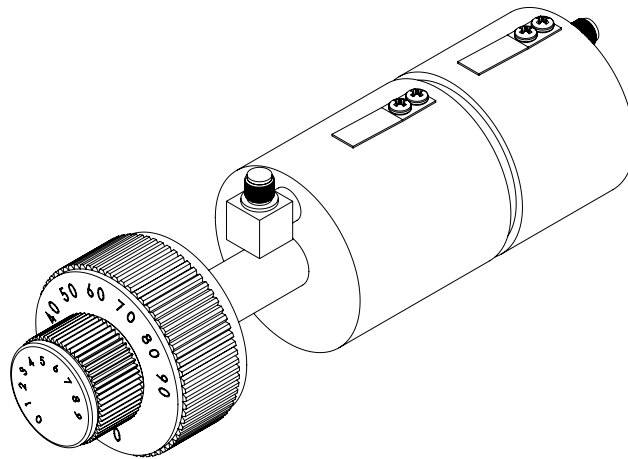
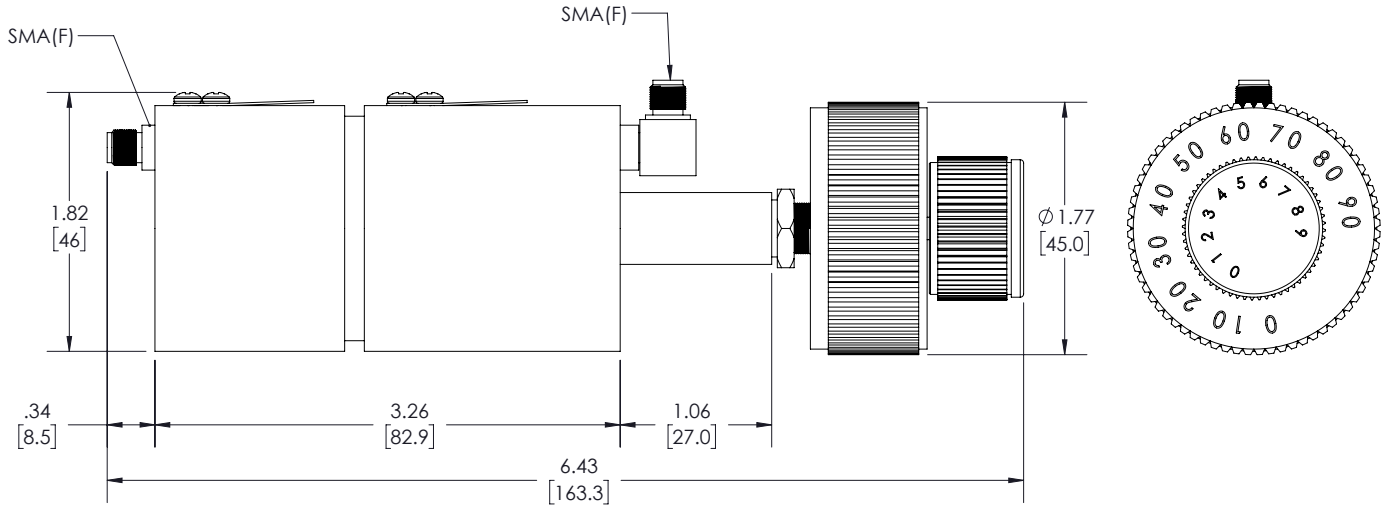
URL: <https://www.fairviewmicrowave.com/99db-step-attenuator-1db-sma-female-dc-8-ghz-2-watts-fmat7443-99-p.aspx>

The information contained within this document is accurate to the best of our knowledge and representative of the part described herein. It may be necessary to make modifications to the part and/or the documentation of the part in order to impliment improvements. Fairview Microwave reserves the right to make such changes as required. Unless otherwise stated, all specifications are nominal. Fairview Microwave does not make any representation or warranty regarding the suitability of the part described herein for any particular purpose, and Fairview Microwave does not assume liability arising out of the use of any part or document.

FMAT7443-99 CAD Drawing

0 to 99dB Rotary Step Attenuator, SMA Female to SMA Female With 1 dB Step Rated to 2 Watts Up to 8GHz

REVISIONS			
REV.	DESCRIPTION	DATE	APPROVED
A	INITIAL RELEASE	05/19/2022	SPONG



THESE COMMODITIES, TECHNOLOGY OR SOFTWARE WERE EXPORTED FROM THE UNITED STATES IN ACCORDANCE WITH THE EXPORT ADMINISTRATION REGULATIONS. DIVERSION CONTRARY TO U.S. LAW PROHIBITED.



TITLE	UNLESS OTHERWISE SPECIFIED LEADING DIMENSIONS ARE INCHES DIMENSIONS IN [] ARE MILLIMETERS		THIRD-ANGLE PROJECTION	
	TOLERANCES:	CABLE LENGTH (L) TOLERANCES:		
	.X = ±.2 [5.08] FRACTIONS ± 1/32	L ≤ 12 [305] = +1 [25] / -0		
	.XX = ±.02 [.51] ANGLES ± 1°	12 [305] < L ≤ 60 [1524] = +2 [51] / -0		
		60 [1524] < L ≤ 120 [3048] = +4 [102] / -0		
		120 [3048] < L ≤ 300 [7620] = +6 [152] / -0		
		300 [7620] < L = +5%L / -0		
	ALL DIMENSIONS SHOWN ARE FOR REFERENCE ONLY.			
SIZE	CAGE CODE	DRAWN BY	ITEM NO.	REV
A	3FKR5	PSRINIVAS	FMAT7443-99	A

THE INFORMATION AND DESIGN IN THIS DOCUMENT IS THE PROPERTY OF FAIRVIEW MICROWAVE CORPORATION. ALL RIGHTS RESERVED.	
SHEET	OF
1	1
SCALE	
N/A	

T-Rev.D