

10 dB Fixed Attenuator, 1.0 mm Male to 1.0 mm Female Up to 110 GHz Rated to 0.2 Watts

Fairview Microwave carries a wide range of fixed attenuators with a broad selection of attenuation levels, frequency ranges, and power dissipation ranges. RF microwave attenuators (also known as RF pads) lower the amplitude of a signal (attenuate) a known amount and can be used in a wide variety of applications. These attenuator pads are used when a signal needs to be reduced to protect measurement equipment or other circuitry, to extend the range of power meters and amplifiers, and to impedance match circuits by reducing the VSWR seen by adjacent components. RF attenuators can prevent signal overload in amplifiers, receivers and detectors, adjusting the signal level to a range that is optimal.

Few RF components are as commonly used as fixed coaxial attenuators, and Fairview Microwave carries one of the largest in-stock varieties and ships them same day. The 10 dB Fixed Attenuator FMAT7450-10 is rated to 0.2 Watts and operates from DC to 110 GHz. The versatile coaxial package uses 1.0 mm (W1) male to 1.0 mm (W1) female connectors.

Electrical Specifications

Description	Min	Typ	Max	Units
Frequency Range	DC		110	GHz
Impedance		50		Ohms
Nominal Attenuation		10		dB
Attenuation Accuracy			±1.5	dB
VSWR			1.9:1	
Input Power, CW			0.2	Watts

Specifications by Frequency

Description	F1	F2	F3	F4	F5	Units
Frequency Range	DC to 15	15 to 50	50 to 105	105 to 110		GHz
VSWR, Max	1.2:1	1.4:1	1.7:1	1.9:1		
Attenuation Acc., Max	±1	±1.5	±1.5	±1.5		dB

Mechanical Specifications

Size

Length	1.1 in [27.94 mm]
Width/Diameter	0.433 in [11 mm]
Height	0.433 in [11 mm]
Weight	0.035 lbs [15.88 g]

Configuration

Design	Fixed
Package Style	Connectorized

Connectors

Description	Connector 1	Connector 2
Type	1.0mm Female	1.0mm Male



Features:

- DC to 110 GHz Frequency Range
- 1.0 mm (W1) Connectorized Design
- Attenuation 10 dB
- Max Power 0.2 Watts (CW)
- Typical VSWR of 1.4:1

Applications:

- Instrumentation
- Precision Measurements
- Prototyping and Characterization
- Production Systems

Fairview Microwave
 301 Leora Ln., Suite 100
 Lewisville, TX 75056
 Tel: 1-800-715-4396 / (972) 649-6678
 Fax: (972) 649-6689
www.fairviewmicrowave.com
sales@fairviewmicrowave.com

Environmental Specifications

Temperature

Operating Range +0 to +70 deg C
Storage Range -55 to +125 deg C

Humidity 95% at 40 °C, 96 hours, Test 103B, Condition B
Shock 100 Gn peak sawtooth, method 213, Condition B

Compliance Certifications (see [product page](#) for current document)

Plotted and Other Data

Notes:

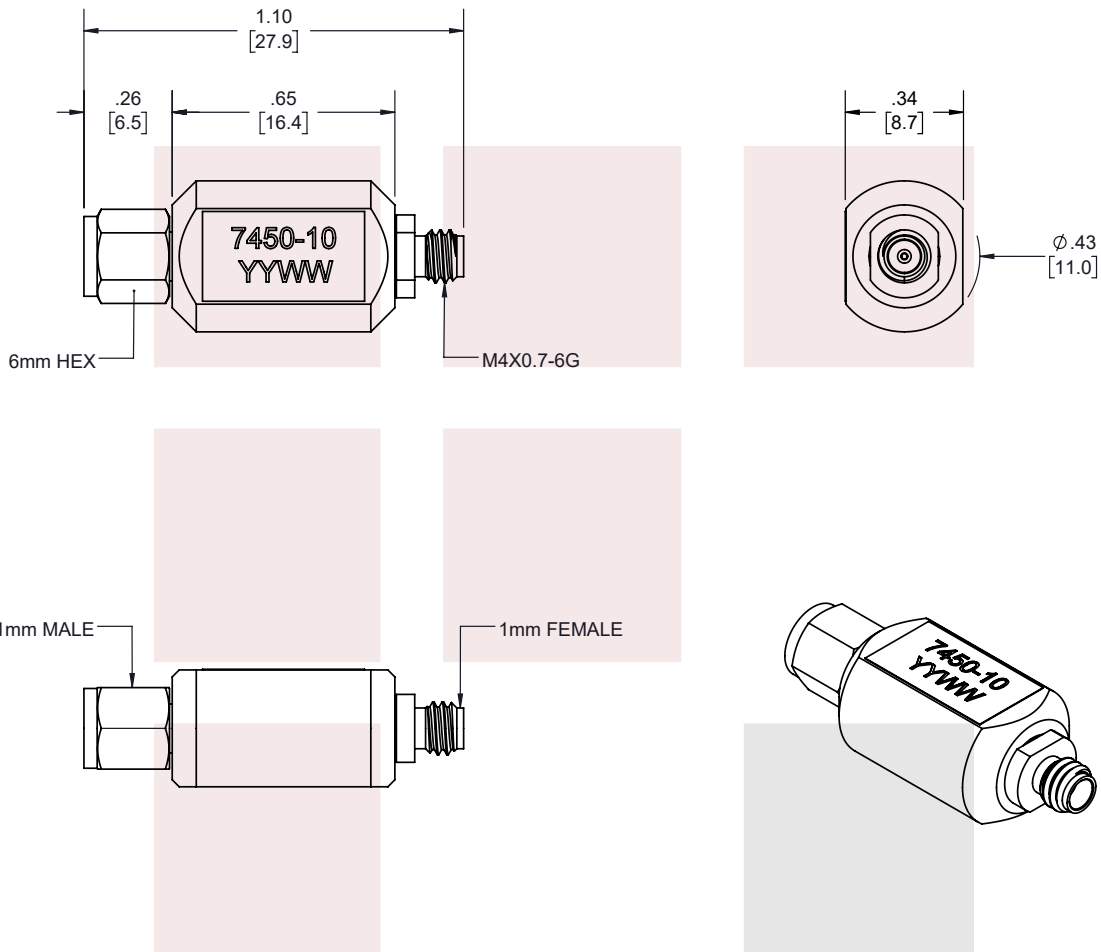
10 dB Fixed Attenuator, 1.0 mm Male to 1.0 mm Female Up to 110 GHz Rated to 0.2 Watts from Fairview Microwave is in-stock and available to ship same-day. All of our RF/microwave products are available off-the-shelf from our ISO 9001:2008 certified facilities in Lewisville, Texas. Fairview Microwave is RF on-demand.

For additional information on this product, please click the following link: [10 dB Fixed Attenuator, 1.0 mm Male to 1.0 mm Female Up to 110 GHz Rated to 0.2 Watts FMAT7450-10](#)

URL: <https://www.fairviewmicrowave.com/10db-fixed-attenuator-1.0mm-female-1.0mm-male-0.2-watts-fmat7450-10-p.aspx>

The information contained in this document is accurate to the best of our knowledge and representative of the part described herein. It may be necessary to make modifications to the part and/or the documentation of the part, in order to implement improvements. Fairview Microwave reserves the right to make such changes as required. Unless otherwise stated, all specifications are nominal. Fairview Microwave does not make any representation or warranty regarding the suitability of the part described herein for any particular purpose, and Fairview Microwave does not assume any liability arising out of the use of any part or documentation.

REVISIONS			
REV.	DESCRIPTION	DATE	APPROVED
A	INITIAL RELEASE	8/1/2022	S. PONG



THESE COMMODITIES, TECHNOLOGY OR SOFTWARE WERE EXPORTED FROM THE UNITED STATES IN ACCORDANCE WITH THE EXPORT ADMINISTRATION REGULATIONS. DIVERSION CONTRARY TO U.S. LAW PROHIBITED.

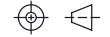
TITLE
10 dB Fixed Attenuator, 1.0 mm Male to 1.0 mm Female Up to 110 GHz Rated to 0.2 Watts

UNLESS OTHERWISE SPECIFIED LEADING DIMENSIONS ARE INCHES
DIMENSIONS IN [] ARE MILLIMETERS

TOLERANCES: CABLE LENGTH (L) TOLERANCES:

.X = ±.2 [5.08]	FRACTIONS ± 1/32	L ≤ 12 [305] = +1 [25] / -0
.XX = ±.02 [.51]	ANGLES ± 1°	12 [305] < L ≤ 60 [1524] = +2 [51] / -0
.XXX = ±.005 [.13]		60 [1524] < L ≤ 120 [3048] = +4 [102] / -0
		120 [3048] < L ≤ 300 [7620] = +6 [152] / -0
		300 [7620] < L = +5%L / -0

THIRD-ANGLE PROJECTION



THE INFORMATION AND DESIGN IN THIS DOCUMENT IS THE PROPERTY OF FAIRVIEW MICROWAVE CORPORATION. ALL RIGHTS RESERVED.

SHEET 1 OF 1

SCALE N/A

ALL DIMENSIONS SHOWN ARE FOR REFERENCE ONLY.

SIZE A	CAGE CODE 3FKR5	DRAWN BY K.DANG	ITEM NO. FMAT7450-10	REV A
-----------	--------------------	--------------------	-------------------------	----------

T-Rev.D