

Low Loss UHF Male to UHF Male Cable LMR-600 Coax with Times Microwave Components



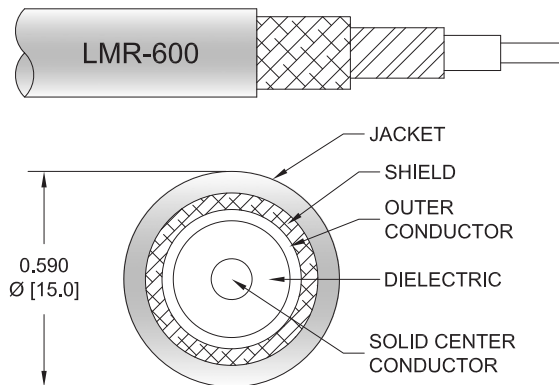
FMC01480

Configuration

- Connector 1: UHF Male
- Connector 2: UHF Male
- Cable Type: LMR-600
- Coax Flex Type: Flexible

Features

- Max Frequency 3 GHz
- Shielding Effectivity > 90 dB
- 87% Phase Velocity
- Double Shielded
- PE Jacket



Applications

- General Purpose
- Laboratory Use

Description

The UHF male to UHF male cable using LMR-600 coax, part number FMC01480, from Fairview Microwave is in-stock and ships same day. This Fairview UHF to UHF cable assembly has a male to male gender configuration with 50 ohm flexible LMR-600 coax. Fairview Microwave's flexible RF cable assemblies are ideal for applications where tight bends and continual flexure are required. The FMC01480 UHF male to UHF male cable assembly operates to 3 GHz. The double shielding of this Fairview cable assembly provides excellent shielding effectiveness of better than 90 dB.

Custom versions of most RF cable assemblies can be built and shipped same day. Custom cable assembly lengths can be obtained by specifying the desired length on the web site at time of order or by contacting a sales representative. Other RF cable assembly value added services including connector orientation or clocking, heat shrink booting and labeling are also available. RF testing can also be performed to document the electrical performance of your cable assembly.

Electrical Specifications

Description	Minimum	Typical	Maximum	Units
Frequency Range	DC		3	GHz
VSWR			1.4:1	
Velocity of Propagation		87		%
RF Shielding	90			dB
Group Delay		1.17 [3.84]		ns/ft [ns/m]
Capacitance		23.4 [76.77]		pF/ft [pF/m]
Inductance		0.058 [0.19]		uH/ft [uH/m]
DC Resistance Inner Conductor		0.53 [1.74]		Ohms/1000ft [Ohms/Km]
DC Resistance Outer Conductor		1.2 [3.94]		Ohms/1000ft [Ohms/Km]

Low Loss UHF Male to UHF Male Cable LMR-600 Coax with Times Microwave Components



FMC01480

Electrical Specifications

Description	Minimum	Typical	Maximum	Units
Jacket Spark			8,000	Vrms

Specifications by Frequency

Part Number	Length	Description	F1	F2	F3	F4	F5	Units	Weight (lbs)
			Frequency					MHz	
FMC01480	Custom Lengths Available	Insertion Loss (Typ.)	0.01	0.01	0.02	0.03	0.05	dB/ft	
			0.03	0.04	0.06	0.09	0.16	dB/m	
FMC01480-24	24 Inch	Insertion Loss (Typ.)	0.36	0.37	0.38	0.4	0.44	dB	0.071
FMC01480-36	36 Inch	Insertion Loss (Typ.)	0.37	0.38	0.4	0.42	0.49	dB	0.104
FMC01480-48	48 Inch	Insertion Loss (Typ.)	0.37	0.39	0.41	0.45	0.54	dB	0.136
FMC01480-120	120 Inch	Insertion Loss (Typ.)	0.41	0.46	0.51	0.6	0.82	dB	0.2
FMC01480-180	180 Inch	Insertion Loss (Typ.)	0.45	0.52	0.6	0.73	1.06	dB	0.84

The insertion loss data for the base model does not include loss due to the connectors. Each length includes insertion loss due to the connectors.

- Loss due to Connector 1: 0.17 dB
- Loss due to Connector 2: 0.17 dB
- Base Weight: 0.071 pounds
- Additional Weight per Inch: 0.24083 pounds

Mechanical Specifications

Cable Assembly

- Width/Diameter 0.5 in [12.7 mm]
- Weight 0.071 lbs [32.21 g]

Cable

- Cable Type LMR-600
- Impedance 50 Ohms
- Inner Conductor Type Solid
- Inner Conductor Material and Plating Copper Clad Aluminum
- Dielectric Type PE (F)
- Number of Shields 2
- Shield Layer 1 Aluminum Tape
- Shield Layer 2 Tinned Copper Braid
- Jacket Material PE, Black
- Jacket Diameter 0.59 in [14.99 mm]
- One Time Minimum Bend Radius 1.5 in [38.1 mm]
- Repeated Minimum Bend Radius 6 in [152.4 mm]
- Bending Moment 2.75 lbs-ft [3.73 N-m]
- Flat Plate Crush 60 lbs/in [1.07 Kg/mm]
- Tensile Strength 350 lbs [158.76 Kg]

Low Loss UHF Male to UHF Male Cable LMR-600 Coax with Times Microwave Components



FMC01480

Connectors

Description	Connector 1	Connector 2
Type	UHF Male	UHF Male
Impedance	50 Ohms	50 Ohms
Configuration	Straight	Straight
Contact Material and Plating	Phosphor Bronze, Silver	Phosphor Bronze, Silver
Contact Plating Specification	200 µin minimum	200 µin minimum
Dielectric Type	PTFE	PTFE
Body Material and Plating	Brass, Tri-Metal	Brass, Tri-Metal
Body Plating Specification	100 µin minimum	100 µin minimum
Coupling Nut Material and Plating	Brass, Tri-Metal	Brass, Tri-Metal
Coupling Nut Plating Specification	100 µin minimum	100 µin minimum

Environmental Specifications

Operating Range Temperature -40 to +85 deg C

Compliance Certifications (see [product page](#) for current document)

Plotted and Other Data

Notes:

Low Loss UHF Male to UHF Male Cable LMR-600 Coax with Times Microwave Components

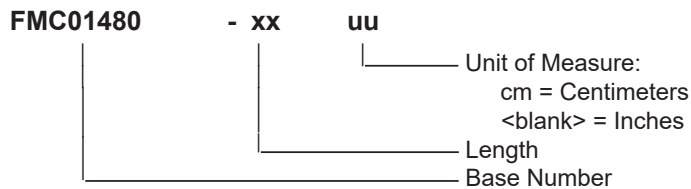


FMC01480

Typical Performance Data

How to Order

Part Number Configuration:



Example: FMC01480-12 = 12 inches long cable
 FMC01480-100cm = 100 cm long cable

Low Loss UHF Male to UHF Male Cable LMR-600 Coax with Times Microwave Components from Fairview Microwave is in-stock and available to ship same-day. All of our RF/microwave products are available off-the-shelf from our ISO 9001:2008 certified facilities in Lewisville, Texas. Fairview Microwave is RF on-demand.

For additional information on this product, please click the following link: [Low Loss UHF Male to UHF Male Cable LMR-600 Coax with Times Microwave Components FMC01480](#)

URL: <https://www.fairviewmicrowave.com/low-loss-uhf-male-to-uhf-male-cable-lmr-600-coax-with-times-microwave-components-fmc01480-p.aspx>

The information contained within this document is accurate to the best of our knowledge and representative of the part described herein. It may be necessary to make modifications to the part and/or the documentation of the part in order to implement improvements. Fairview Microwave reserves the right to make such changes as required. Unless otherwise stated, all specifications are nominal. Fairview Microwave does not make any representation or warranty regarding the suitability of the part described herein for any particular purpose, and Fairview Microwave does not assume liability arising out of the use of any part or document.

FMC01480 CAD Drawing

Low Loss UHF Male to UHF Male Cable LMR-600 Coax with Times Microwave Components

